

CHLORIDE

by 



Exit/Emergency

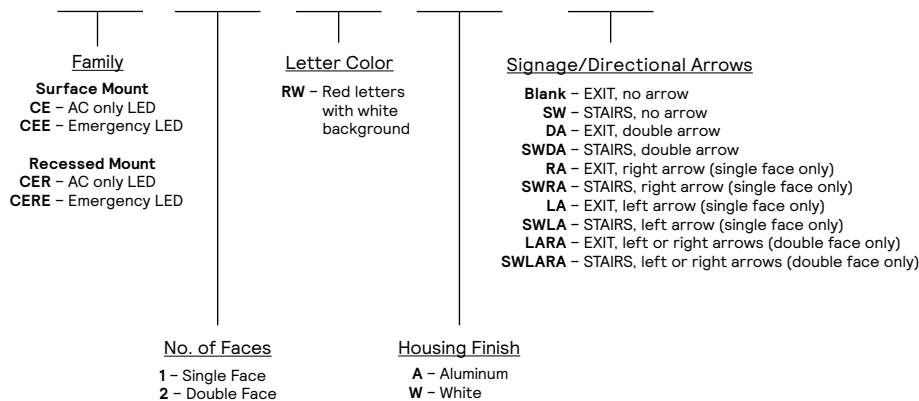
CE series

Edge-lit LED exit sign



Project: _____
Location: _____
Cat.No: _____
Type: _____
Lamps: _____ Qty: _____
Notes: _____

Example: CEE1RWADA



codes and standards

- UL listed to standard 924
- NFPA 101 (Life Safety Code)
- NFPA 70 (National Electric Code)
- OSHA standards
- City of Chicago codes
- UL listed for damp locations 32°F (0°C) to 122°F (50°C)

construction

- Premium-grade, extruded aluminum housing.
- Recessed housing is easily detached from below, allowing easy access for service or maintenance.
- Panels are UV stable, silk screened acrylic which provides consistent, uniform illumination.
- Housings are available in a white finish or aluminum finish.
- Panels are supplied with red letters on white backgrounds.
- Signs available as single or double faced.

installation

- Surface mounted signs are provided with a die-cast aluminum mounting canopy for universal ceiling, end or wall mounting.
- Recessed mounted signs are drywall, drop-thru ceiling or wall mounted.
- Recessed units cannot be end mounted.

electronics

- Charge rate/power "ON" LED indicator light and push to test switch for mandated code compliance testing.
- Low Voltage Battery Disconnect protects the battery from being severely damaged by deep discharge during prolonged power failures.
- Emergency exit signs feature a fully automatic charger designed to recharge the battery within 24 hours.
- 120/277V dual input.
- Power Consumption:
AC Models: 120 Volt Max. Watts 4.3W, Max. Amps 0.04A; 277 Volt Max. Watts 4.7W, Max. Amps 0.02A.
Emergency Models: 120 Volt Max. Watts 4.5W, Max. Amps 0.04A; 277 Volt Max. Watts 4.5W, Max. Amps 0.02A.

LED

- Exit face illumination is provided by an ultra-bright, energy efficient, long lasting white LEDs that provide uniform illumination.
- Uniform 6" letter illumination (3/4" stroke).

battery

- Maintenance free sealed nickel cadmium battery.
- Provides a minimum of 90 minutes emergency illumination while in the emergency mode.

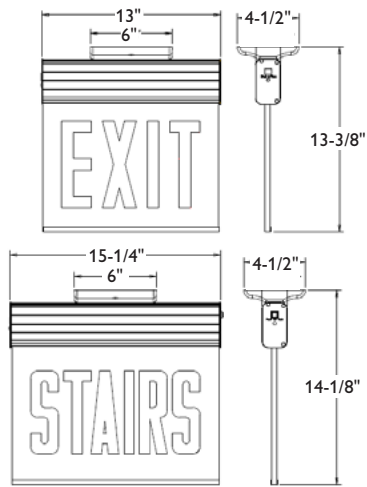
warranty

- Five year warranty.



CE Edge-lit LED exit sign

Surface Mount



Recessed Mount

