

A combo with style and reliability

SYMMETRY SERIES COMBO



PHILIPS CHLORIDE SYMMETRY SERIES THERMOPLASTIC COMBO

The Philips Chloride Symmetry Series Combo is a specification grade unit featuring a low profile thermoplastic housing containing the very robust and reliable Intelli-Charge self-diagnostic circuitry. The letters are illuminated with high output LEDs providing brightness levels that exceed 24fl (82.22cd/m²) during normal and emergency operation. UL requires a minimum luminance level of 2.5fl (8.57cd/m²) in normal operation and 1.5fl (5.14cd/m²) in emergency mode.



Project: _____
 Location: _____
 Catalog No: _____
 Fixture Type: _____
 Mfg: _____ Lamps: _____ Qty: _____
 Notes: _____

Ordering guide

example: S12L1RWICH62

Series	Capacity	Face Options	Letter Color	Housing Color	Circuitry	Lamp Heads	# of Installed Lamp Heads	Options ²
<input type="text" value="S"/>	<input type="text"/>	<input type="text"/>	<input type="text"/>	<input type="text"/>	<input type="text"/>	<input type="text"/>	<input type="text"/>	<input type="text"/>
S Symmetry Series Thermoplastic LED Combo	12L 12W lead calcium 25L 25W lead calcium 15N 15W nickel cadmium	1 Single U Universal (includes extra stencil face)	R Red G Green	W White B Black	blank non diagnostic models IC Intelli-Charge Diagnostics	blank no installed lamp heads H6 halogen 6W H8 halogen 8W H10 halogen 10W H12 halogen 12W	blank none 1 one 2 two	BF Buzzer/flasher ¹ BZ Buzzer ¹ DL Damp location listing 0°C to 40°C ¹ FA Fire alarm activated flasher ¹ FL Emergency mode flasher ¹ T Self-testing diagnostics (non-audible) ¹ TA Audible self-testing diagnostics ¹ TP Tamperproof hardware and bit VRS Vandal resistant lens w/ tamperproof hardware & bit

Accessories (order separately)

- **SYMKIT12W** – Pendant Kit, 12" White, Includes Exit Adapter Plate
- **SYMKIT12B** – Pendant Kit, 12" Black, Includes Exit Adapter Plate
- **ICIR** – Intelli-Charge Infra-Red Remote
- **T15TPTOOL** – Tamperproof Screwdriver
- **PCS1** – Polycarbonate Vandal Shield
- **WG5** – Wire Guard, Surface Wall Mount

Footnotes:

- 1 Only available with Intelli-Charge models.
- 2 Some option combinations may impact UL listing. Consult factory for specifics.



SYMMETRY SERIES COMBO

codes and standards

- UL listed to standard 924
- UL damp location listing optional
- IBC, BOCA, and OSHA illumination standard
- NFPA 70 (National Electric Code)
- NFPA 101 (Life Safety Code)
- NEMA Premium certified
- Certified to the California Energy Commission in accordance with California law
- DOE compliant
- ARRA compliant

construction

- Impact resistant UL 94 V-0, 5 VA thermoplastic housing with NFPA compliant field selectable chevrons.
- Exit stencil face provides secure closure yet is easily accessible for installation, maintenance, and inspection.

installation

- The Symmetry Series is available in single and universal configurations.
- A mounting canopy is supplied to accommodate surface ceiling and end mounting.
- A universal knockout pattern is provided on the backplate for surface wall mounting. Dual conduit knockouts provided on one end of housing.
- An optional pendant mount adapter is available as a factory option.

electronics

- 120/277 VAC dual voltage input with surge protection is standard on all models.
- Self-powered models feature the Intelli-Charge circuit where the charging system is microprocessor driven with software embedded diagnostic routine and temperature compensation.
- Self-powered models include brownout detection, AC lockout, low voltage disconnect, AC Power indicator, charge status indicator, audible user-interface controls, visual LED system fault indicator, and tactile push to test switch.
- Additional equipment safety features include reverse battery polarity detection and protection, and reverse utility power detection and protection.
- All self-powered models include an on-board IR receiver for use with the optional hand-held remote (ICIR).

- Self-testing electronics (optional)
The diagnostic/charging platform with optional self-testing mode automatically runs a one minute self-test every 30 days and a 30 minute test on the sixth and twelfth month in accordance with NFPA 101.
A one minute or 90 minute test may be initiated via the push to test switch on the unit or by activating the appropriate test command on the optional IR test device.
- Operating temperature range
Standard location: 65°F (19°C) to 85°F (30°C).
Damp location: 32°F (0°C) to 104°F (40°C).
- Power consumption
12 watt lead calcium battery red: 0.123 A (120VAC), 0.055 A (277VAC), PF = 0.90.
12 watt lead calcium battery green: 0.105 A (120 VAC), 0.051 A (277VAC), PF = 0.90.
25 watt lead calcium battery red: 0.130 A (120VAC), 0.060 A (277VAC), PF = 0.90.
25 watt lead calcium battery green: 0.117 A (120VAC), 0.052 A (277VAC), PF = 0.90.
15 watt nickel cadmium battery red: 0.075 A (120VAC), 0.031 A (277VAC). PF = 0.94.
15 watt nickel cadmium battery green: 0.069 A (120VAC), 0.030 A (277VAC). PF = 0.94.

lamps

- Illumination of the stencil face is accomplished with long lasting, high output Light Emitting Diodes (LEDs).
- Hot spots and striations are eliminated by the internal "light chamber" allowing for even illumination in normal and emergency situations.
- Average legend luminance levels exceed 24fl (82.22 cd/m²) during normal and emergency operation.
- The multi-axis spherical lamp head provides forward throw illumination coverage or can be pivoted in the opposite direction on double face applications.
- 6W, 8W, 10W, and 12W high performance halogen lamps are available for providing emergency illumination.

battery

- Maintenance free sealed nickel cadmium battery and optional sealed calcium battery.
- Provides a minimum of 90 minutes of emergency power.

warranty

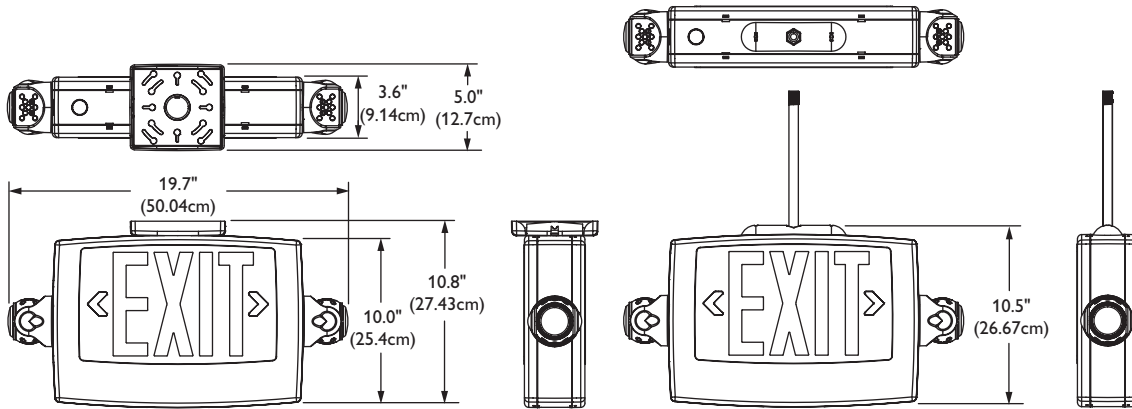
- Five full year warranty on electronics and unit.

options

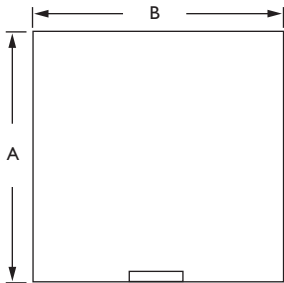
- **BF** – This option enables the exit sign to buzz and flash together when the sign is operating under battery power. The buzzer and flashing rate is an approximate 50% duty cycle.
- **BZ** – This option enables the exit sign to buzz when the sign is operating under battery power. The buzzer rate is an approximate 50% duty cycle.
- **DL** – Damp location listed products include various levels of corrosion protection on printed circuit board assemblies and other metallic parts. Environmental testing throughout a range of ambient temperature and 88% relative humidity.
- **EX** – The special input transformer option allows for input voltage and frequencies beyond the standard 120/277 VAC, 60 Hz input.
- **FA** – This option provides a two-wire harness for the electrical connection to the fire control panel. Should the fire panel activate an alarm, the exit sign will flash at a rate of approximately 50% duty cycle. The input is not polarity sensitive.
- **FL** – This option causes the exit sign to flash when the sign is operating under battery power. The flashing rate is approximately a 50% duty cycle.
- **T** – The self-testing option enables a periodic self-test of the equipment where a test routine is established to perform a one-minute test once a month with a 30 minute test performed on the sixth and twelfth month in accordance with NFPA 101. Equipment readiness faults are indicated with a visual LED display.
- **TA** – The audible self-testing option enables a periodic self-test of the equipment where a test routine is established to perform a one-minute once a month with a 30 minute test performed on the sixth and twelfth month in accordance with NFPA 101. Equipment readiness faults are indicated with a visual LED display and audible alarm.
- **TP** – The tamper proof option provides torx T15 hardware with center pin reject and the bit required to secure and access the equipment for future servicing.

SYMMETRY SERIES COMBO

Dimensions



Photometry



Test Number	Lamp Designation	Avg. fc	A	B
ITL61673	H6	1.03	10'	10'
ITL75177	H8	1.08	10'	18'
ITL75178	H10	1.00	12'	22'
ITL75179	H12	1.10	10'	25'



© 2013 Koninklijke Philips N.V. (Royal Philips). All rights reserved.
Specifications are subject to change without notice.
www.philips.com/luminaires

CE-13205 10/13 page 3 of 3

Philips Lighting Company
200 Franklin Square Drive
Somerset, NJ 08873
Phone: 855-486-2216

Philips Lighting Company
281 Hillmount Road
Markham ON, Canada L6C 2S3
Phone: 800-668-9008