

CHLORIDE

by 

Exit/Emergency

Value+

Exit/unit combo VC



Project: _____
Location: _____
Cat.No: _____
Type: _____
Lamps: _____ Qty: _____
Notes: _____

Example: VCRW

Catalog Number	Volts	Wattage	Letter Color	Housing Color	Lamp Type	Remote Capacity
VCRW	6	22	Red	White	5.4W tungsten	12W
VCGW	6	22	Green	White	5.4W tungsten	12W

Combo Lamp Heads

Unique design allows for lamp heads to be adjusted to the side or top of the housing. This provides for maximum flexibility during installation.

Accessories

WG5 - Wire guard

Note:

All combos are universal (single face with an extra stencil face plate)
Refer to CA-51200 for matching remote lampheads.

codes and standards

- UL listed to Standard 924
- NFPA 70 (National Electric Code)
- NFPA 101 (Life Safety Code)
- California Energy Commission
- UL listed for damp location.

construction

- White housing only.
- Low profile, snap-together quick mount design.
- Flame rated, UV stable thermoplastic housing.

installation

- Universal wall or ceiling mounting.
- Pop-out chevron directional indicators are easily removed when required.

electronics

- Maintenance free 6V sealed lead acid battery.
- Supplies 90 minutes of emergency power.
- Surge protection, low voltage disconnect, AC lockout installation, brown out protection, and constant current charger.
- 120/277 VAC selectable input.
- VC Units:
Input Power: 0.030A (120VAC)
Input Power: 0.013A (277VAC)

lamps

- Bright red or green energy efficient LED lamps
- Uniform 6" letter illumination (3/4" stroke).
- Lamp heads are adjustable and each contains a 6V-5.4W tungsten lamp.

battery

- Maintenance free sealed lead acid battery has an estimated service life of 5 years and a operating temperature range of 65°F (19°C) to 85°F (30°C).
- Provides 90 minutes of emergency illumination.

remote capacity

- Remote capacity model includes 6V maintenance free sealed lead acid batteries.
- Supplies 90 minutes of emergency power for exit sign plus an additional 12W of 6V-DC load.

warranty

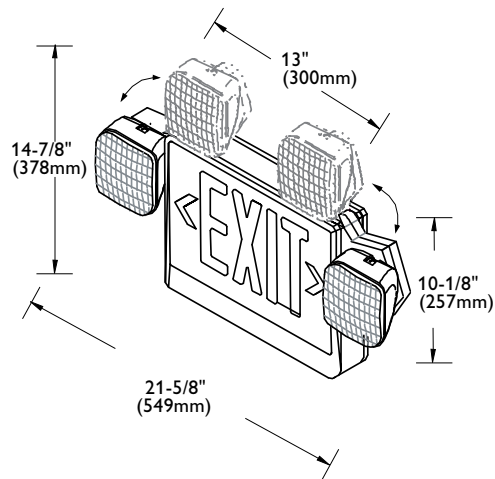
- Three year warranty on unit.



VC Value+ LED exit/unit combo

Economy grade

dimensions



Some luminaires use fluorescent or high intensity discharge (HID) lamps that contain small amounts of mercury. Such lamps are labeled, "Contain Mercury" and/or the symbol "HG". Lamps that contain mercury must be disposed of in accordance with local requirements. Information regarding lamp recycling and disposal can be found at www.lamprecycle.org

