

**Commercial Exit Signs**

**VCL Series**  
Value+ "Economy Grade" LED  
Thermoplastic Combo



**Specifier's Reference**

Project
Type
Model No.
Comments

**codes and standards**

- UL listed to Standard 924
- NFPA 70 (National Electric Code)
- NFPA 101 (Life Safety Code)
- California Energy Commission
- UL listed for damp location

**construction**

- Units are available in white.
- Low profile, snap together quick mount design.
- Flame rated, UV stable thermoplastic housing.

**installation**

- Universal wall/ceiling/end mounting.
- Canopy not required for flat wall mount. (electronics contained inside housing).
- Pop-out chevron directional indicators are easily removed when required.
- Exit sign mounts to a standard 4" square outlet box. (canopy provided)

**electronics**

- Surge protection, low voltage disconnect, AC lockout installation, brown out protection, and constant current charger.
- 120/277 VAC selectable input.
- Power Consumption: 2.4 Watts

**lamps**

- Bright red or green energy efficient LED lamps
- Uniform 6" letter illumination (3/4" stroke).
- Long life 6V-1.1W LED lamps require virtually no maintenance with its expected LED lamp life of 10 years.

**battery**

- Maintenance free 6V lead calcium battery.
- Operating temperature range of 20°F (-7°C) to 104°F (40°C).
- Provides a minimum of 90 minutes of emergency illumination while in emergency mode.

**remote capacity**

- Combos have 8W of remote capacity.
- VL1RHP and VL2RHP are only remote lamp heads for this combo.

**warranty**

- Three year warranty on unit.

**Green Product Choice:VCLRW**

Catalog Number	Letter Color	Housing Color	Lamp Type	Operation	Remote Capacity
VCLRW	Red	White	LED	Emergency	8W
VCLGW	Green	White	LED	Emergency	8W

**Remote Lamp Heads**

Catalog Number	Volts	Wattage	Housing Color
VL1RHP	6	1.1	White
VL2RHP	6	2.2	White

**VL1RHP**

LED Single Remote Lamp Head



**VL2RHP**

LED Double Remote Lamp Head



**Combo Lamp Heads**

Unique design allows for lamp heads to be adjusted for installation on the side or top of the housing. This provides for maximum flexibility during installation.

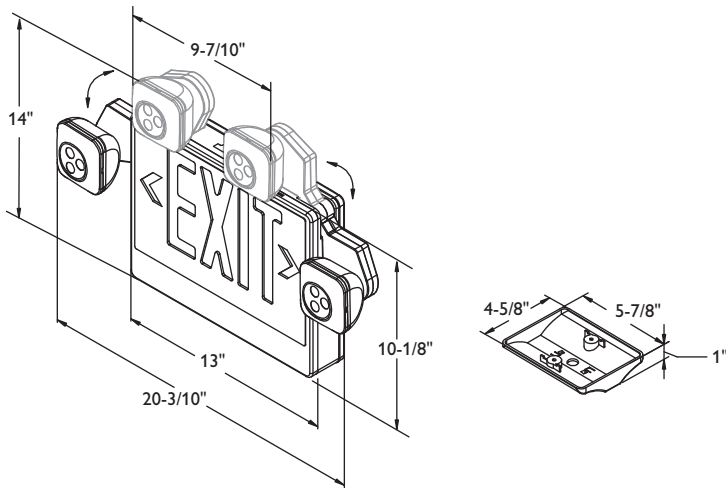
**Accessories**

WG5 –Wire guard

**Note:**

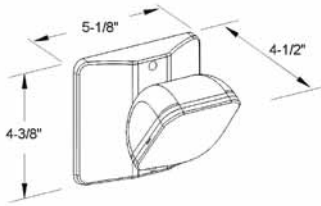
All combos are universal (single face with an extra stencil face plate)  
Canopy provided on all combos.  
Refer to CA-51200 for matching remote lamp heads.





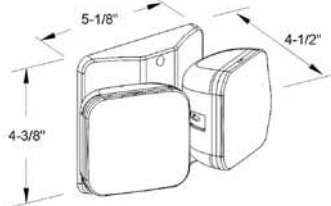
**VL1RHP**

**LED Single Remote Lamp Heads**



**VL2RHP**

**LED Double Remote Lamp Heads**



© 2013 Koninklijke Philips Electronics N.V. All rights reserved.  
 Specifications are subject to change without notice.

CE-15300 03/13

Philips Lighting Company  
 200 Franklin Square Drive  
 Somerset, NJ 08873  
 Phone: 855-486-2216

[www.philips.com/luminaires](http://www.philips.com/luminaires)

Philips Lighting Company  
 281 Hillmount Road  
 Markham ON, Canada L6C 2S3  
 Phone: 800-668-9008

[www.philips.com/luminaires](http://www.philips.com/luminaires)