



Specifier's Reference

Project
Type
Model No.
Comments

codes and standards

- UL listed to standard 924
- UL listed wet locations standard 924
- NFPA 101 (Life Safety Code)
- NFPA 70 (National Electric Code)
- OSHA illumination standards

construction

- Corrosion resistant NEMA 4X type fiberglass enclosure with industrial gray finish.
- Enclosure is sealed and gasketed.

installation

- Units are designed for installation to wall surfaces by means of four mounting tables provided on the enclosure.

electronics

- 120/277VAC dual voltage input with surge Battery charger is fully automatic, temperature compensating, variable rate float charger.
- Surge protected with solid state circuitry. Charging systems are complete with low voltage battery disconnect, AC lockout, brownout protection, and DC Overload/Short circuit protection.
- Momentary test switch and LED AC on indicator light.
- 120/277VAC, 60Hz.
- Power Consumption: 15 Watts(maximum)
- Operating Temperature Range: 68°F(20°C) to 86°F(30°C).
- Optional Self-Diagnostic Circuit – SX option automatically cycles the emergency lighting unit every 25-30 days. The SX circuit checks for battery charging and over charging, battery capacity and reports any system malfunction. By design the SX does not activate the lighting heads, thus avoiding substantial lamp life reduction.

lamps

- High output incandescent lamps maximize illumination characteristics through a specially designed reflector and glass lens assembly that provides glare free trapezoidal light distribution.
- Lamps are incandescent wedge base Par36 sealed beam.
- Lamp heads are impact resistant, UV stable, flame rated thermoplastic housings.
- Lamp heads have a matching gray finish.
- Lamp heads are sealed, gasketed, fully adjustable, and feature lockable swivels.

battery

- Choice of 6V maintenance free sealed lead calcium battery with a service life of 5 to 7 years. OR
- 6V maintenance free nickel cadmium battery with a service life of 8 to 10 years.
- Both provide a minimum of 90 minutes emergency illumination.

remote capacity

- Total lamp wattage cannot exceed total fixture wattage.

warranty

- Five full year warranty on electronics and unit (excluding lamps).

Green Product Choice: VNX6L-3-16

<p>Family</p> <p>VNX6L – 6V, Lead Calcium</p> <p>VNX6N – 6V, Nicad</p> <p>VNX12L – 12V, Lead Calcium</p> <p>VNX12N – 12V, Nicad</p>	<p>Wattage</p> <p>VNX6L</p> <p>3 – 16 Watts</p> <p>5 – 26 Watts</p> <p>7 – 32 Watts</p> <p>9 – 52 Watts</p> <p>11 – 64Watts</p> <p>VNX6N</p> <p>3 – 15 Watts</p> <p>5 – 26 Watts</p> <p>VNX12L</p> <p>12 – 32 Watts</p> <p>14 – 52 Watts</p> <p>16 – 64 Watts</p> <p>18 – 104 Watts</p> <p>VNX12N</p> <p>12 – 30 Watts</p> <p>14 – 52 Watts</p>	<p>Two Lamp Heads</p> <p>6 Volt</p> <p>BLANK – 7.2W incandescent</p> <p>16 – 8W halogen</p> <p>12 Volt</p> <p>BLANK – 12W incandescent</p> <p>64 – 12W halogen</p>	<p>Options¹</p> <p>LCW – Weatherproof 3-Conductor Line Cord (120V)</p> <p>TD-120 – 15-Minute Re-transfer Time Delay (120V)</p> <p>TD-277 – 15-Minute Re-transfer Time Delay (277V)</p> <p>SX – Self-Diagnostic Circuit</p> <p>PL – Polycarbonate Lamp Lens (For Food Preparation Areas)</p> <p>SP – Special Paint Finish - Specify Color</p> <p>TC – Tuff Coat Lamp</p> <p>220 – 220V, 50Hz Input</p>
--	--	---	--

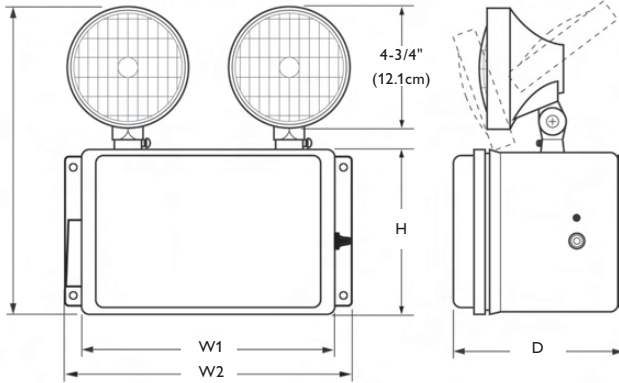
Footnote

¹ Some options may impact UL listing. Consult factory

Accessories (Order Separately)

- PG2** – Wire Guard
- 927-G-03** – 6V Matching Remote Head-Single (6V, 7.2W)
- 928-G-03** – 6V Matching Remote Head-Double (6V, 7.2W)
- 927-G-59** – 12V Matching Remote Head-Single (12V, 12W)
- 928-G-59** – 12V Matching Remote Head-Double(12V, 12W)

dimensions



Model No.	Dimensions - Inches (cm)				
	D	W1	W2	H	T
VNX6-3	6-1/8 (15.6)	8-1/2 (21.6)	10 (25.4)	6-1/2 (16.5)	12-1/2 (31.8)
VNX6-5	6-1/8 (15.6)	8-1/2 (21.6)	10 (25.4)	6-1/2 (16.5)	12-1/2 (31.8)
VNX6-7	8-1/8 (20.6)	10-1/2 (26.7)	12 (30.5)	8-1/2 (21.6)	14-1/2 (36.8)
VNX6-9	8-1/8 (20.6)	10-1/2 (26.7)	12 (30.5)	8-1/2 (21.6)	14-1/2 (36.8)
VNX6-11	8-1/8 (20.6)	10-1/2 (26.7)	12 (30.5)	8-1/2 (21.6)	14-1/2 (36.8)
VNX12-12	8-1/8 (20.6)	10-1/2 (26.7)	12 (30.5)	8-1/2 (21.6)	14-1/2 (36.8)
VNX12-14	8-1/8 (20.6)	10-1/2 (26.7)	12 (30.5)	8-1/2 (21.6)	14-1/2 (36.8)
VNX12-16	8-1/8 (20.6)	10-1/2 (26.7)	12 (30.5)	8-1/2 (21.6)	14-1/2 (36.8)
VNX12-18	8-1/8 (20.6)	10-1/2 (26.7)	12 (30.5)	8-1/2 (21.6)	14-1/2 (36.8)

specifications

Model No.	Volts	Watts For 1-1/2 Hrs.	Watts For 2 Hrs.	Watts For 3 Hrs.	Watts For 4 Hrs.	Standard Lamp	Weight (Lbs.)
VNX6-3	6	16	12	8	7	7.2W incandescent	11
VNX6-5	6	26	20	14	11	7.2W incandescent	13
VNX6-7	6	32	25	17	14	7.2W incandescent	13
VNX6-9	6	52	41	29	22	7.2W incandescent	20
VNX6-11	6	64	50	35	28	7.2W incandescent	20
VNX12-12	12	32	25	17	14	12W incandescent	18
VNX12-14	12	52	41	29	22	12W incandescent	20
VNX12-16	12	64	50	35	28	12W incandescent	20
VNX12-18	12	104	82	58	46	12W incandescent	22



Some luminaires use fluorescent or high intensity discharge (HID) lamps that contain small amounts of mercury. Such lamps are labeled, "Contain Mercury" and/or the symbol "HG". Lamps that contain mercury must be disposed of in accordance with local requirements. Information regarding lamp recycling and disposal can be found at www.lamprecycle.org



© 2013 Koninklijke Philips Electronics N.V. All rights reserved. Specifications are subject to change without notice.

CH-40450 03/13

Philips Lighting Company
200 Franklin Square Drive
Somerset, NJ 08873
Phone: 855-486-2216

www.philips.com/luminaires

Philips Lighting Company
281 Hillmount Road
Markham ON, Canada L6C 2S3
Phone: 800-668-9008

www.philips.com/luminaires