

Industrial Emergency

VU6W Series
Value+ Economy Grade
“Wet Location” Unit



Specifier's Reference

Project
Type
Model No.
Comments

codes and standards

- UL listed to standard 924
- BOCA and OSHA illumination standard.
- UL listed for damp locations.
- NFPA 101 (National Life Safety Code)
- NEC 70 (National Electric Code)

construction

- Innovative design allows for fast and easy installation.
- Two fully adjustable glare-free round shaped lampheads for emergency lighting.
- VU6W Listed NEMA 4X, wet location listed high-impact plastic housing.

installation

- Units are wall mount only.

electronics

- 120/277 VAC dual voltage input with surge protected, solid-state circuitry.
- Charging systems is complete with low voltage disconnect, AC lockout, brownout protection, AC indicator lamp and test switch.
- Input power requirements are 120 VAC - 0.044 amps 277 VAC - 0.02 amps

lamps

- Lamp heads include two 5.4W tungsten lamps.

battery

- Maintenance free sealed lead acid battery has an estimated service life of 5 years.
- Operating temperature range of 65°F (19°C) to 85°F (30°C).
- Provides 90 minutes of emergency illumination.

warranty

- 3 years warranty (Lamps not included).

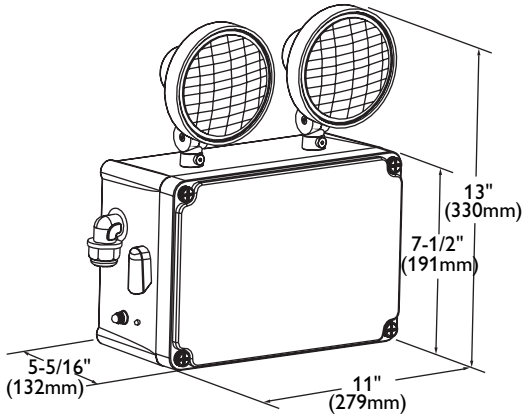
Green Product Choice: VU6W

Catalog Number	Volts	Wattage	Housing Color	Lamp Type	Remote Capacity
VU6W	6V	12W	white	5.4W tungsten	none

Accessories

- PCS1** – Polycarbonate Vandal Shield
- WG5** – Wire Guard for VU6W

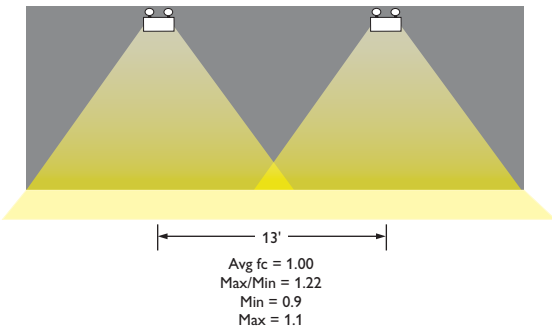
dimensions



performance

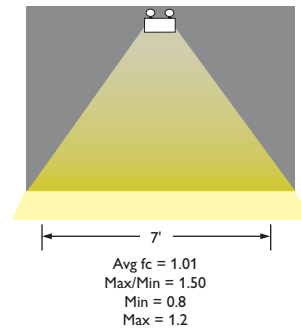
Meets Life Safety Code standard minimum illuminance of 0.1 FC and average illuminance of 1.0 FC. Assumes open space with no obstructions, mounting height: 8', ceiling height: 9', and reflectances: 80/50/20. Analysis based on independently tested photometrics.

VU6W 3' foot path



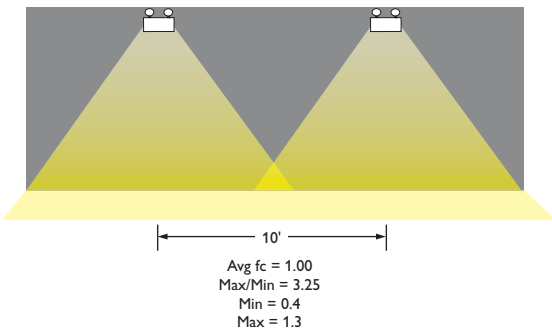
Test No.: 29885

VU6W Single Unit 3' foot path



Test No.: 29885

VU6W 6' foot path



Test No.: 29885



Some luminaires use fluorescent or high intensity discharge (HID) lamps that contain small amounts of mercury. Such lamps are labeled, "Contain Mercury" and/or the symbol "HG". Lamps that contain mercury must be disposed of in accordance with local requirements. Information regarding lamp recycling and disposal can be found at www.lamprecycle.org



© 2013 Koninklijke Philips Electronics N.V. All rights reserved. Specifications are subject to change without notice.

CH-40600 03/13

Philips Lighting Company
 200 Franklin Square Drive
 Somerset, NJ 08873
 Phone: 855-486-2216

www.philips.com/luminaires

Philips Lighting Company
 281 Hillmount Road
 Markham ON, Canada L6C 2S3
 Phone: 800-668-9008

www.philips.com/luminaires