

Commercial Emergency

VU6L Series Value+ Economy Grade LED Thermoplastic Unit



Specifier's Reference

Project

Type

Model No.

Comments

codes and standards

- UL Listed to Standard 924.
- NFPA 101 (Life Safety Code)
- NFPA 70 (National Electric Code)
- BOCA and OSHA illumination standard.
- UL Listed for damp locations.

construction

- Contractor friendly, snap together design.
- UL 94V-O high impact thermoplastic construction.

installation

- Wall or ceiling mounted.
- Easy removable knobs for mounting.
- Jbox pattern on back panel.

electronics

- Surge protected, solid state circuitry.
- Charging systems are complete with low voltage disconnect, AC lockout, brownout protection, AC indicator lamp and test switch.
- VU6LSD comes with self-testing/self-diagnostic circuitry that will automatically initiate a one minute monthly test.
- 30 minute test every 6th month and one 90 minute test annually.
- A manual test can be performed at any time by simply pressing the test button. See spec sheet CE-17300.
- Power Consumption
AC Mode = 2.8W
ER Mode = 3.5W

lamps

- VU6L series units have two LED lampheads with 1.1 Watts per head.
- Expected lamp life up to 10 years.

battery

- Maintenance-free sealed lead calcium battery has an estimated service life of five years
- Operating temperature range of 65°F (19°C) to 85°F (30°C).
- Supplies 90 minutes of emergency illumination.

remote capacity

- VU6L 2-1.1W remote LED Lampheads.
- VL1RHP and VL2RHP are only remote lamp heads for this unit.

warranty

- Five year warranty on units.

Ordering Information

Family	Voltage	Wattage	Housing Color	Lamp Type	Remote Capability
VU6L	6	5	White	1.1 Watt LED	2.2 Watt
VU6LB	6	5	Black	1.1 Watt LED	2.2 Watt
VU6LSD	6	5	White	1.1 Watt LED	2.2 Watt

Remote Lamp Heads

Catalog Number	Volts	Wattage	Housing Color
VL1RHP	6	1.1	White
VL2RHP	6	2.2	White

VL1RHP

LED Single Remote Lamp Heads



VL2RHP

LED Double Remote Lamp Heads



Accessories (order separately)

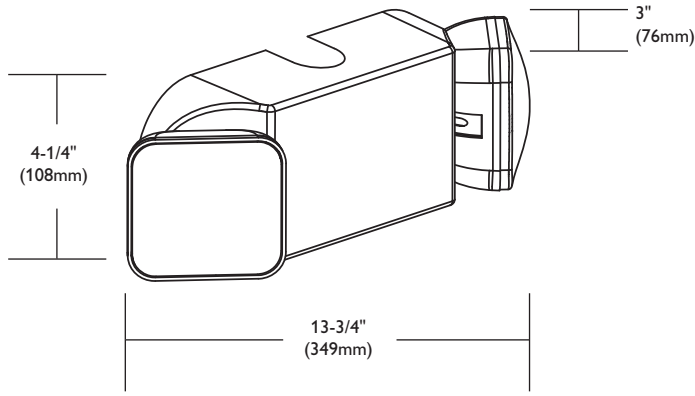
- WG4** Wire Guard for VU (wall mount only)
- PCS1** Polycarbonate Vandal Shield

Note:

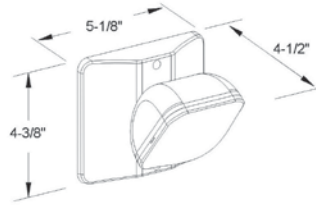
Refer to CA-51200 for matching remote lamp heads.



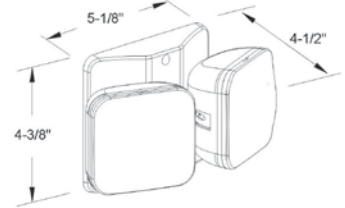
dimensions



VL1RHP
LED Single Remote Lamp Heads

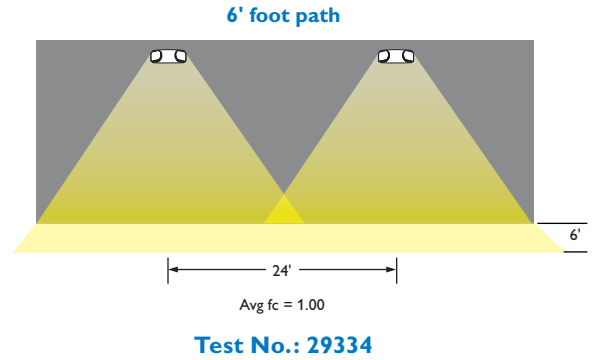
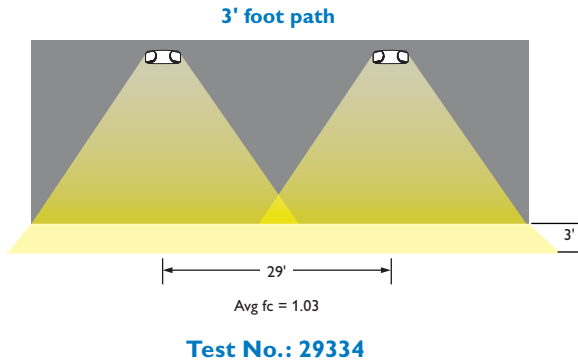


VL2RHP
LED Double Remote Lamp Heads



performance

Meets Life Safety Code standard minimum illuminance of 0.1 FC and average illuminance of 1.0 FC. Assumes open space with no obstructions, mounting height: 8', ceiling height: 9', and reflectances: 80/50/20. Analysis based on independently tested photometrics.



Hg Some luminaires use fluorescent or high intensity discharge (HID) lamps that contain small amounts of mercury. Such lamps are labeled, "Contain Mercury" and/or the symbol "HG". Lamps that contain mercury must be disposed of in accordance with local requirements. Information regarding lamp recycling and disposal can be found at www.lamprecycle.org



© 2013 Koninklijke Philips Electronics N.V. All rights reserved. Specifications are subject to change without notice.

CM-20050 03/13

Philips Lighting Company
200 Franklin Square Drive
Somerset, NJ 08873
Phone: 855-486-2216

www.philips.com/luminaires

Philips Lighting Company
281 Hillmount Road
Markham ON, Canada L6C 2S3
Phone: 800-668-9008

www.philips.com/luminaires