

## Commercial Emergency

### VU6F Series Value+ Economy Grade Fixed Lens Thermoplastic Unit



#### Specifier's Reference

Project

Type

Model No.

Comments

#### codes and standards

- UL 924 listed.
- NFPA-101. NEC, BOCA and OSHA illumination standard.
- UL listed for damp locations.

#### construction

- Contractor friendly, snap together design.
- UL 94V-O flame rating injection molded thermoplastic housing.
- Wall or ceiling mount.

#### installation

- Wall or ceiling mount.
- Mounting knockouts easily removed.
- Jbox pattern on back panel.

#### electronics

- 120/277 VAC dual voltage input with surge protected, solid-state circuitry.
- Charging systems is complete with low voltage disconnect, AC lockout, brownout protection, AC indicator lamp and test switch.
- Input power requirements:  
120 VAC - 0.044 amps  
277 VAC - 0.02 amps

#### lamps

- Two 5.4W tungsten lamps.

#### battery

- Maintenance free sealed lead acid battery has an estimated service life of 5 years and an operating temperature range of 65°F (19°C) to 85°F (30°C).
- Provides 90 minutes of emergency illumination.

#### warranty

- 3 years warranty (Lamps not included).

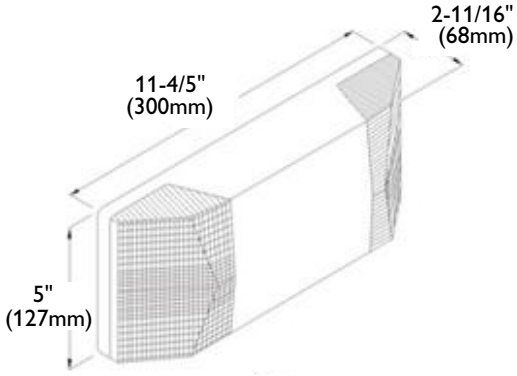
## Green Product Choice: VU6F

Catalog Number	Volts	Wattage	Housing Color	Lamp Type	Remote Capacity
VU6F	6V	12W	white	5.4W tungsten	none

#### Accessories

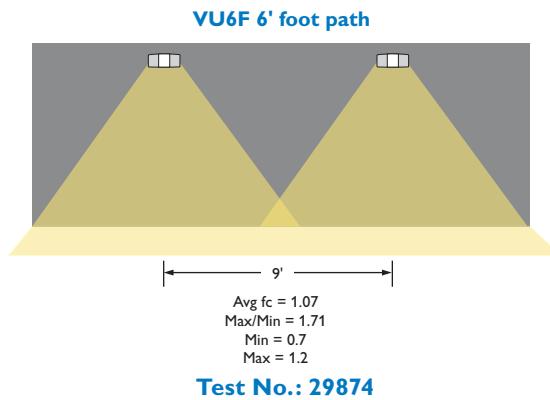
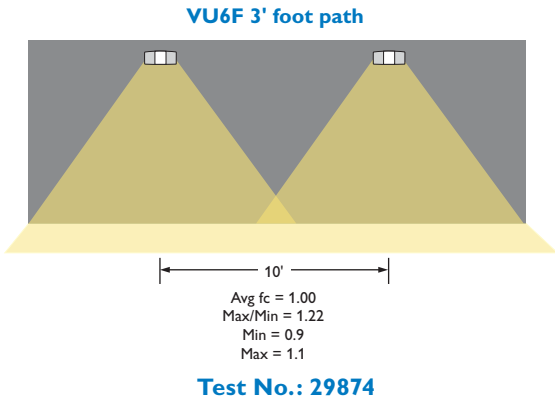
**PCS1** – Polycarbonate Vandal Shield  
**WG4** – Wire Guard for VU6F

**Dimensions**



**performance**

Meets Life Safety Code standard minimum illuminance of 0.1 FC and average illuminance of 1.0 FC. Assumes open space with no obstructions, mounting height: 8', ceiling height: 9', and reflectances: 80/50/20. Analysis based on independently tested photometrics.



Some luminaires use fluorescent or high intensity discharge (HID) lamps that contain small amounts of mercury. Such lamps are labeled, "Contain Mercury" and/or the symbol "HG". Lamps that contain mercury must be disposed of in accordance with local requirements. Information regarding lamp recycling and disposal can be found at [www.lamprecycle.org](http://www.lamprecycle.org)



© 2013 Koninklijke Philips Electronics N.V. All rights reserved. Specifications are subject to change without notice.

CM-20200 03/13

Philips Lighting Company  
 200 Franklin Square Drive  
 Somerset, NJ 08873  
 Phone: 855-486-2216

[www.philips.com/luminaires](http://www.philips.com/luminaires)

Philips Lighting Company  
 281 Hillmount Road  
 Markham ON, Canada L6C 2S3  
 Phone: 800-668-9008

[www.philips.com/luminaires](http://www.philips.com/luminaires)