

CM-20300

Commercial Emergency

VU6 Series Value+ Economy Grade Thermoplastic Unit

VU6



VU6R



Specifier's Reference

Project _____

Type _____

Model No. _____

Comments _____

codes and standards

- UL listed to Standard 924
- NFPA 70 (National Electric Code)
- NFPA 101 (Life Safety Code)
- BOCA and OSHA illumination standard
- UL Listed for damp locations.

construction

- Contractor friendly, snap together design.
- UL 94V-O high impact thermoplastic construction.

installation

- Wall or ceiling mounted.
- Easy removable knock-outs for mounting.
- J-box pattern on back.

electronics

- Surge protected, solid state circuitry. Charging systems are complete with low voltage disconnect, AC lockout, brownout protection, AC indicator lamp and test switch.
- Power consumption
120 VAC - 0.044 amps
277 VAC - 0.02 amps

lamps

- VU6 Series units have two adjustable lamp heads with each containing a 6V-5.4W tungsten lamp.

battery

- Maintenance free sealed lead calcium battery has an estimated service life of five years.
- Operating temperature range of 65°F (19°C) to 85°F (30°C).
- Supplies 90 minutes of emergency illumination.

remote capacity

- All VU6R has the remote capability of feeding one remote (6V-5.4W tungsten) lamp head.

warranty

- Three year warranty on units. (lamps not included)

Family	Voltage	Wattage	Housing Color	Lamp Type	Remote Capability
VU6	6	12	White	5.4 Watt Tungsten	None
VU6R	6	18	White	5.4 Watt Tungsten	6 Watts

Accessories (order separately)

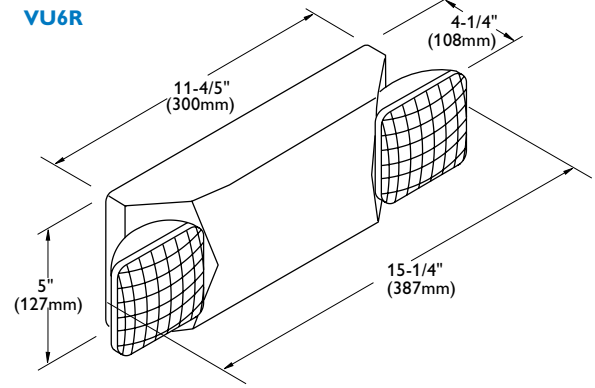
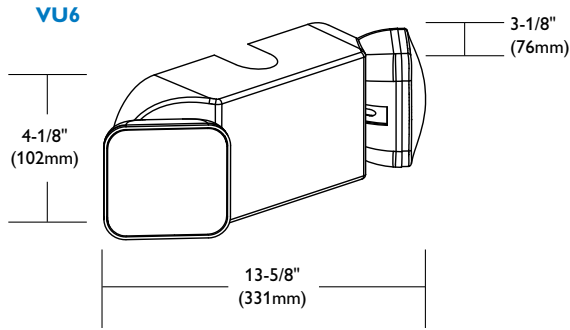
- WG4** Wire Guard for VU (wall mount only)
- PCS1** Polycarbonate Vandal Shield

Note:

Refer to CA-51200 for matching remote lamp heads.

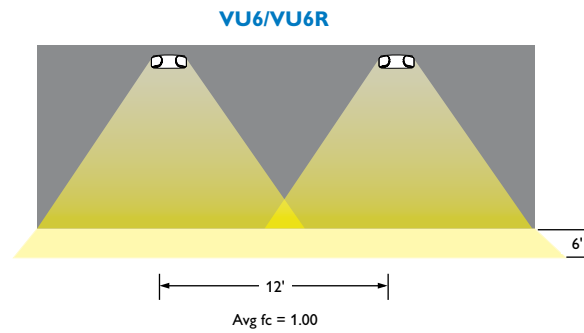
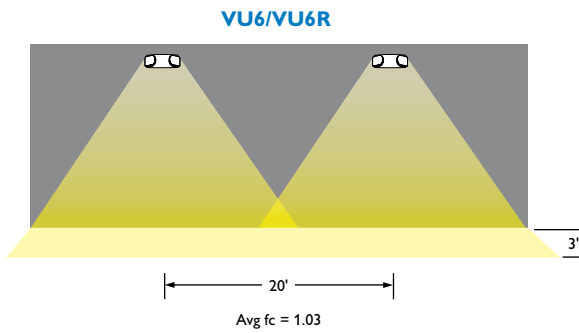
CM-20300
dimensions

VU6 Series, Value+ Economy Grade Thermoplastic Unit



performance

Meets Life Safety Code standard minimum illuminance of 0.1 FC and average illuminance of 1.0 FC. Assumes open space with no obstructions, mounting height: 8', ceiling height: 9', and reflectances: 80/50/20. Analysis based on independently tested photometrics.



Hg Some luminaires use fluorescent or high intensity discharge (HID) lamps that contain small amounts of mercury. Such lamps are labeled, "Contain Mercury" and/or the symbol "HG". Lamps that contain mercury must be disposed of in accordance with local requirements. Information regarding lamp recycling and disposal can be found at www.lamprecycle.org

© 2017 Philips Lighting Holding B.V. All rights reserved. Philips reserves the right to make changes in specifications and/or to discontinue any product at any time without notice or obligation and will not be liable for any consequences resulting from the use of this publication. philips.com/luminaires



Philips Lighting North America Corporation
200 Franklin Square Drive, Somerset, NJ 08873
Tel. 855-486-2216

Philips Lighting Canada Ltd.
281 Hillmount Rd, Markham, ON, Canada L6C 2S3
Tel. 800-668-9008