

CM-22600

Commercial Emergency

CAX Series Compac® High Capacity Thermoplastic Emergency Unit with **Xtest**



Specifier's Reference

Project
Type
Model No.
Comments

codes and standards

- ETL Listed to UL Standard 924
- NFPA 101 (Life Safety Code)
- NFPA 70 (National Electric Code)

construction

- This unit is offered with a white ABS thermoplastic housing which is UV-stable and flame rated.

installation

- Snap together quick mount design.
- Keyhole slots provided to secure backplate to wall.
- Knockout provided for top conduit entry.

electronics **Xtest**

- All units utilize a microprocessor and contain the **Xtest** self-diagnostic/self-test circuitry.
- Each unit includes low voltage disconnect, AC lockout, and brownout protection.
- Each unit with **Xtest** circuitry will automatically conduct a self-test once a month with the lamps on to verify all systems are functioning properly. For complete details regarding **Xtest** circuitry see spec sheet CE-17050.
- 120/277VAC selectable input.
- Power Consumption: 120V: 84 mA Line Amps, 10.1W input wattage; 277V: 35 mA Line Amps, 9.7W input wattage.

lamps

- Semi recessed, adjustable eyeball style lamp heads.
- Unit uses 6 or 12 Watt MR16 lamps.

battery

- Choice of 6V maintenance free sealed lead acid battery with a service life of 5 to 7 years and an operating temperature range of 65°F (19°C) to 85°F (30°C).
- 6V maintenance free nickel cadmium battery with a service life of 8 to 10 years and an operating temperature range of 20°F (-7°C) to 104°F (40°C).
- Both provide a minimum of 90 minutes emergency illumination.

warranty

- Five year warranty on units. (lamps not included)

Green Product Choice: CAX6L24W12

Catalog Number	Volts	Total Wattage	Remote	Housing Color	Lamp Type
Lead Calcium:					
CAXR6L24W6	6	24	12	White	MR16 6W
CAX6L24W12	6	24	none	White	MR16 12W
Ni-Cad:					
CAX6N24W12	6	24	none	White	MR16 12W

Accessories (Order Separately)

- WG5** – Wire Guard (Wall Mount only)
- PCS1** – Polycarbonate Vandal Shield



CA SINGLE REMOTE LAMP HEADS

The CA remote is a truly compact remote utilizing a MR16 lamp. The CA remote is the perfect match when operating a remote with the CAXR unit. It is also designed with one flat side that will allow for mounting two single remotes together (Hardwire by others; threaded nipple & 2 locknuts).

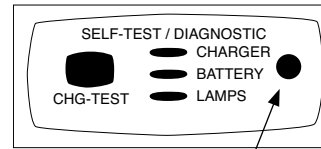
Lamp	Voltage	Wattage	White	No./Heads
Halogen	6	6	CAR1W6	1

PHILIPS
CHLORIDE

Xtest testing specifications

- Automatic Test: The system charger and lamps are continually being controlled via pre-determined parameters specific to each model configuration, automatically. The battery is controlled via a true open circuit test each hour after initial installation. Once a month the **Xtest** System illuminates lamps under load for 30 minutes, simulating a power outage with a true charger off condition, without affecting long term battery life. This is above and beyond the requirements of the National Fire Protection Association. This gives you unequalled control and confidence, knowing you are meeting self-test code requirements each and every month.
- Manual Test: A manual test switch allows for the **Xtest** system to perform the following tests at any time:
 - Press Button
 - Once—5 second test, charger off, no load
 - Twice—60 second test, charger off, lamps on
 - Three—90 minute test, charger off, lamps on
 - 6-Second Hold—Fully reinitializes micro-processor.
 - Pressing once during any test will cancel/abort testing.

Xtest Status Indicator Panel



Location of sensor for laser activation of manual test via handheld remote laser tester (this is an optional feature, specify "LX" option)

Fault Indications:

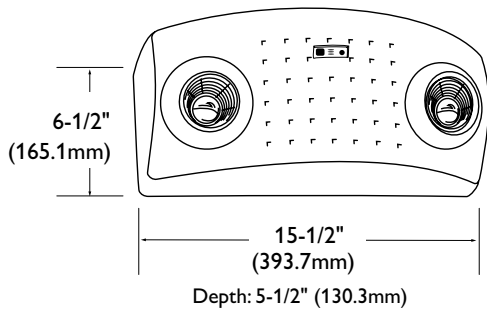
Four LED indicators provide visible indication of system status:

AC/Green	Charger/Red	Batt/Red	Lamp/Red	Status/Fault	Action
On				AC power is on/OK	None
F				Performing Test	None
On	F	F	F	Lamp/Battery Disconnected or Charger Fault	Check connections; if ok, replace circuit board
On	F			Charger fault	Replace circuit board
On		F		Battery disconnected/fault	Check connection or replace battery
On			F	Lamp disconnected/bad or remote disconnected	Check connection then press manual test once to determine bad lamp/replace lamp or check remote lamp.*

On=Steady F=Flashing Blank=Off

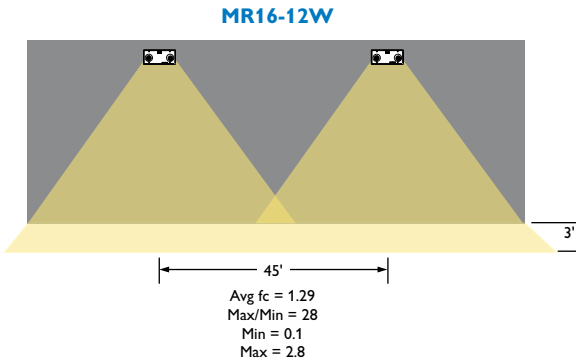
*If unit has remote capacity and remote cable is connected to charger board but not connected to a remote load, then either connect remote load or disconnect cable from charger board.

dimensions



performance

Meets Life Safety Code standard minimum illuminance of 0.1 FC and average illuminance of 1.0 FC. Assumes open space with no obstructions, mounting height: 8', ceiling height: 9', and reflectances: 80/50/20. Analysis based on independently tested photometrics.



Test Numbers:
 12W - 26427A
 20W - 26430A

