

Commercial Emergency

CR3X/CR4X Series Compac® Recessed Thermoplastic Emergency Units with **Xtest**



Specifier's Reference

Project
Type
Model No.
Comments

codes and standards

- ETL Listed to UL Standard 924
- NFPA 101 (Life Safety Code)
- NFPA 70 (National Electric Code)
- Low profile meets ADA specifications on lighting fixtures

construction

- Constructed with a 22 gauge steel back box and a flame rated, UV stable, ABS thermoplastic face plate.
- Black is available.

installation

- Fully recessed assembly for ceiling or wall installation.
- Completely self contained unit suitable for use in air handling plenums and in dry wall applications.

electronics **Xtest**

- All units utilize a microprocessor and contain the **Xtest** self-diagnostic/self-test circuit.
- Each unit includes low voltage disconnect, AC lockout, and brownout protection.
- Each unit will with **Xtest** circuitry automatically conduct a self-test once a month with the lamps on to verify all systems are functioning properly. **Xtest** circuitry see spec sheet CE-17050.
- 120/277VAC selectable input.
- Power Consumption:
 - 120V 18Watt units 41mA Line Amps 4.9 input wattage.
 - 277V 18Watt units 19mA Line Amps 5.3 input wattage.
 - 120V 24Watt and 36Watt units 87mA Line Amps 10.4 input wattage.
 - 277V 24Watt and 36Watt units 39mA Line Amps 10.8 input wattage.

lamps

- Fully adjustable "eyeball" style heads with a choice of 6, 9, or 12 Watt MR16 lamps.

battery

- Maintenance free 6 volt sealed lead acid battery.
- Operating temperature range is 65°F (19°C) to 85°F (30°C) and should provide a service life of 5 to 7 years with SLA battery.

OR

- Maintenance free nickle cadmium battery.
- Operating temperature range is 20°F (-7°C) to 104°F (40°C) and should provide a service life of 8 to 10 years with nickel cadmium battery.
- Provides a minimum of 90 minutes emergency illumination while in the emergency mode.

remote capacity

- Remote models allow for the connection and monitoring of remotes.

options

- TD – After power failure and power is restored, the lamp will remain illuminated for a 15 minute period (provided battery capacity remains).
- LX – To operate using a laser pen: passing laser briefly over the remote sensor simply duplicates the manual button (1, 2, 3) pushes.
- LS – Lamps will not come on when the unit performs its automatic monthly self-test functions.

warranty

- Five year warranty on units. (lamps not included)

Green Product Choice: CR3X6L18W6

CR3X

Catalog Number	Volts	Total Wattage	Remote ²	Housing Color ¹	LampType
Lead Calcium:					
CR3X6L18W6	6	18	none	White	MR16 6W
CR3X6L36W6	6	36	18	White	MR16 6W
CR3X6L36W9	6	36	9	White	MR16 9W
CR3X6L36W12	6	36	none	White	MR16 12W

Ni-Cad:

CR3X6N24W6	6	24	6	White	MR16 6w
------------	---	----	---	-------	---------

Green Product Choice: CR4X6N24W6

CR4X

Catalog Number	Volts	Total Wattage	Remote ²	Housing Color ¹	LampType
Lead Calcium:					
CR4X6L18W6	6	18	none	White	MR16 6W
CR4X6L36W6	6	36	18	White	MR16 6W
CR4X6L36W9	6	36	9	White	MR16 9W
CR4X6L36W12	6	36	none	White	MR16 12W

Ni-Cad:

CR4X6N24W6	6	24	6	White	MR16 6W
------------	---	----	---	-------	---------

Footnotes

Options

- TD – 15 min. Time Delay
- LX – Laser activation of manual test via handheld remote control transmitter, RLT (sold separately)
- LS – Less Self-Test of lamps

Accessories (Order Separately)

RLT – Remote Laser Transmitter

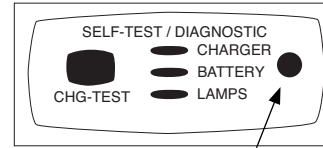
¹For black finish substitute "W's" in catalog number with "B's". Example: CR4X6L18B6.

²Refer to specification sheet CA-51300 for matching remotes.

Xtest testing specifications

- Automatic Test: The system charger and lamps are continually being controlled via pre-determined parameters specific to each model configuration, auto-matically. The battery is controlled via a true open circuit test each hour after initial installation. Once a month the **Xtest** System illuminates lamps under load for 30 minutes, simulating a power outage with a true charger off condition, without affecting long-term battery life. This is above and beyond the requirements of the National Fire Protection Association. This gives you unequalled control and confidence, knowing you are meeting self-test code requirements each and every month.
- Manual Test: A manual test switch allows for the **Xtest** system to perform the following tests at any time:
 Press Button:
 Once - 5 second test, charger off, no load
 Twice - 60 second test, charger off, lamps on
 Three - 90 minute test, charger off, lamps on
 6-Second Hold - Fully reinitializes micro-processor.
 Pressing once during any test will cancel/abort testing.

Xtest Status Indicator Panel



Location of sensor for laser activation of manual test via handheld remote laser tester (this is an optional feature, specify "LX" option)

Fault Indications:

Four LED indicators provide visible indication of system status:

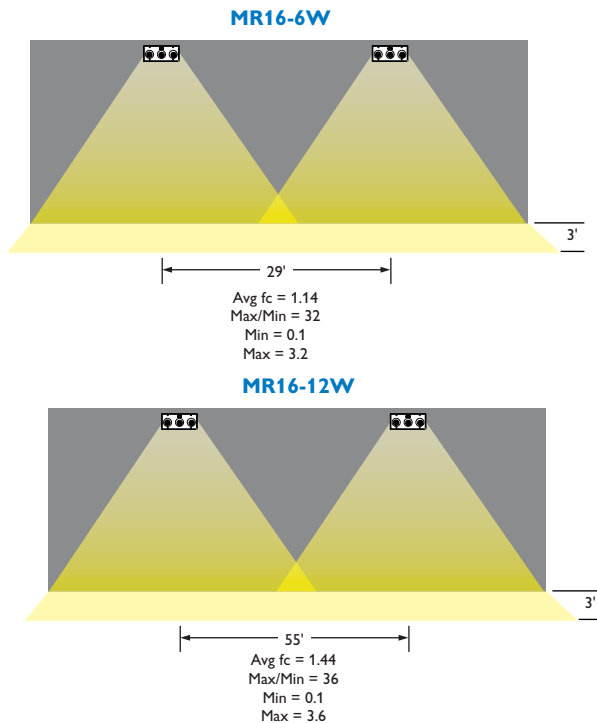
AC/Green	Charger/Red	Batt/Red	Lamp/Red	Status/Fault	Action
On				AC power is on/ok	None
F				Performing Test	None
On	F	F	F	Lamp/Battery Disconnected or Charger Fault	Check connections; if ok, replace circuit board
On	F			Charger fault	Replace circuit board
On		F		Battery disconnected/fault	Check connection or replace battery
On			F	Lamp disconnected/bad or remote disconnected	Check connection then press manual test once to determine bad lamp/replace lamp or check remote lamp.*

On=Steady F=Flashing Blank=Off

*If unit has remote capacity and remote cable is connected to charger board but not connected to a remote load, then either connect remote load or disconnect cable from charger board.

performance

Meets Life Safety Code standard minimum illuminance of 0.1 FC and average illuminance of 1.0 FC. Assumes open space with no obstructions, mounting height: 8', ceiling height: 9', and reflectances: 80/50/20. Analysis based on independently tested photometrics.



© 2013 Koninklijke Philips Electronics N.V. All rights reserved. Specifications are subject to change without notice.

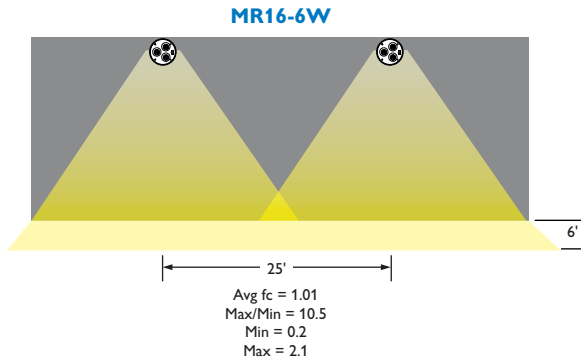
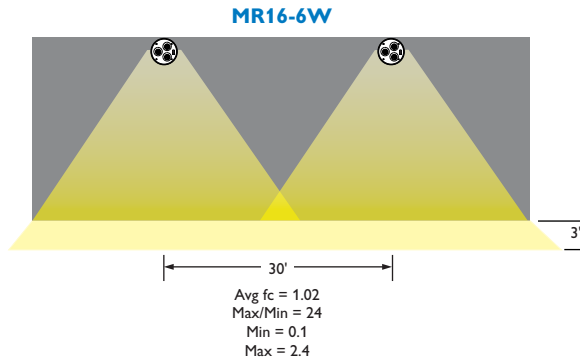
performance

Meets Life Safety Code standard minimum illuminance of 0.1 FC and average illuminance of 1.0 FC. Assumes open space with no obstructions, mounting height: 8', ceiling height: 9', and reflectances: 80/50/20. Analysis based on independently tested photometrics.

Test Numbers:

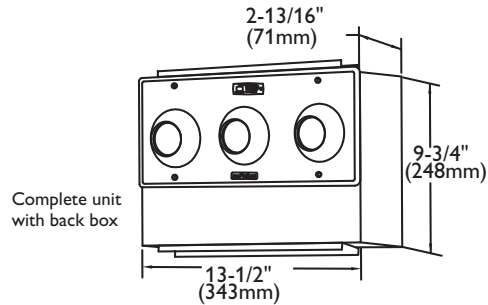
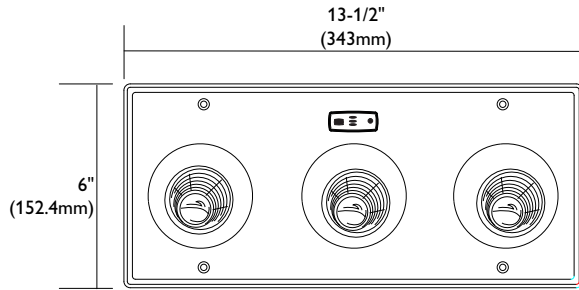
6W - 24401

9W - 24402



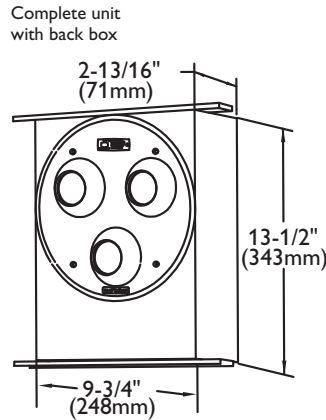
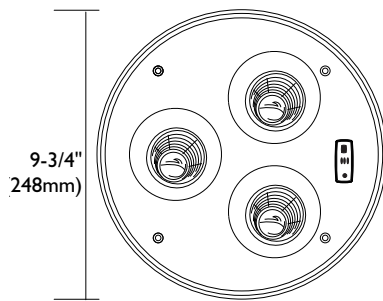
dimensions

CR3X Dimensions



CR3X
Cutout Opening: 5-3/8" x 12-7/8"

CR4X Dimensions



CR4X Round
Cutout Opening: 9-7/16"



© 2013 Koninklijke Philips Electronics N.V. All rights reserved.
Specifications are subject to change without notice.

CM-22800 03/13

Philips Lighting Company
200 Franklin Square Drive
Somerset, NJ 08873
Phone: 855-486-2216

www.philips.com/luminaires

Philips Lighting Company
281 Hillmount Road
Markham ON, Canada L6C 2S3
Phone: 800-668-9008

www.philips.com/luminaires