

Offering unobtrusive reliability and peace of mind

C4 LED RECESSED EMERGENCY UNIT



PHILIPS CHLORIDE C4 LED RECESSED EMERGENCY UNIT

The Philips Chloride C4 LED Recessed Emergency Unit is a reliable and aesthetically pleasing emergency unit with its recessed housing protruding only a 1/2 inch from the ceiling or wall surface. It contains the Intelli-Charge self-diagnostic/self-test circuitry to ensure that all the key electrical components are functioning properly every second of the day with its continuous monitoring in real time.

Project: _____
 Location: _____
 Catalog No: _____
 Fixture Type: _____
 Mfg: _____ Qty: _____
 Notes: _____

Ordering guide

example: C4225NW2M7FIC

Series	Voltage	Wattage/Battery	Housing Color	No. of Heads	Lamp Heads ¹	Circuitry	Options
<input type="text" value="C4"/>	<input type="text"/>	<input type="text"/>	<input type="text"/>	<input type="text"/>	<input type="text"/>	<input type="text" value="IC"/>	<input type="text"/>
C4 C4 LED Recessed Emergency Unit	1 6V 2 12V	Lead Calcium 25L 25W unit 50L 50W unit Nickel Cadmium 25N 25W unit 50N 50W unit	W White B Black	Blank No lamp heads 1 One lamp head 2 Two lamp heads	M7F 12V LED MR16, 7W M20 12V MR16 halogen 20W WTV 12V, 12W halogen ² WTT 6V, 12W halogen ²	IC Intelli-Charge Diagnostics	BD Battery Disconnect Switch DL Damp Location Listed EX³ Special Input Transformer (specify voltage & frequency) F1 120 VAC Input Fuse F2 277 VAC Input Fuse P1 120 VAC Power Switch P2 277 VAC Power Switch T Self-Testing Diagnostics TA Audible Self-Testing Diagnostics TD Time Delay, 15 Minutes SP Special Paint (specify RAL#)

Footnotes:

- ¹ Optional lamp heads available, consult factory.
- ² Halogen lamps contained in round thermoplastic lamp head.
- ³ Some option combinations may impact UL listing. Consult factory for specifics.

Accessories (order separately)

- ICIR** – Intelli-Charge Infra-Red Remote
- PCS1** – Polycarbonate Vandal Shield
- WG5** – Wire Guard



PHILIPS
CHLORIDE

C4 LED RECESSED EMERGENCY UNIT

Codes and Standards

- UL listed to Standard 924
- NFPA 70 (National Electric Code)
- NFPA 101 (Life Safety Code)
- IBC, BOCA, and OSHA illumination standard
- Optional damp location listing available

Construction

- Back box constructed of 20 gauge galvanized steel with 1/2" conduit knockouts.
- Trim plate constructed of 12 gauge steel with a powder coat paint finish.

Installation

- Recessed back box contains removeable knockouts for AC service entry conduit.
- C4 recessed unit is designed for sheetrock or lay-in grid ceilings and sheetrock wall installations.
- Bar hangers are provided.

Diagnostic Electronics (IC models)

- 120/277 VAC dual voltage input with surge protection is standard on all models.
- All models feature the Intelli-Charge self-diagnostic circuit where the charging system is microprocessor driven with software embedded diagnostic routine and temperature compensation.
- All models include brownout detection, AC lockout, low voltage disconnect, AC power indicator, charge status indicator, audible user-interface controls, visual LED system fault indicator, and tactile push to test switch.
- Additional equipment safety features include reverse battery polarity detection and protection, and reverse utility power detection and protection.
- All models include an on-board IR receiver for use with the optional hand-held remote (ICIR).

Self-testing Electronics (optional)

- The diagnostic/charging platform with optional self-testing mode automatically runs a one-minute self-test every 30 days and a 30-minute test on the sixth and twelfth month in accordance with NFPA 101.
- A one minute or 90 minute test may be initiated via pushing the test switch on the unit or by activating the appropriate test command on the optional IR test device.
- Power consumption
Intelli-Charge 6 V 50W Lead Calcium: 0.113 A (120 VAC), 0.055 A (277 VAC)
Intelli-Charge 6 V 50W NiCad: 0.157 A (120 VAC), 0.065 A (277 VAC)
Intelli-Charge 12 V 50W Lead Calcium: 0.331 A (120 VAC), 0.146 A (277 VAC)
Intelli-Charge 12 V 50W NiCad: 0.200 A (120 VAC), 0.094 A (277 VAC)

Lamps

- An assortment of high performance bi pin halogen or MR16 halogen lamps are available to meet your specific egress needs.
- 12V models are available with LED MR16 retrofit lamps.

Battery

- Maintenance free sealed lead calcium battery with an expected 5 year life. Standard Location: 65°F (19°C) to 85°F (30°C).

- Maintenance free sealed nickel cadmium battery with an expected 10 year life. Damp Location: 32°F (0°C) to 104°F (40°C).
- Provides a minimum of 90 minutes emergency illumination.

Warranty

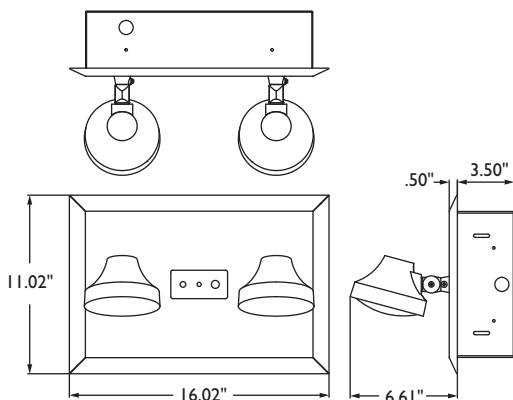
- Five full year warranty on electronics, LED lamps, and unit (excludes all other lamps).

Options

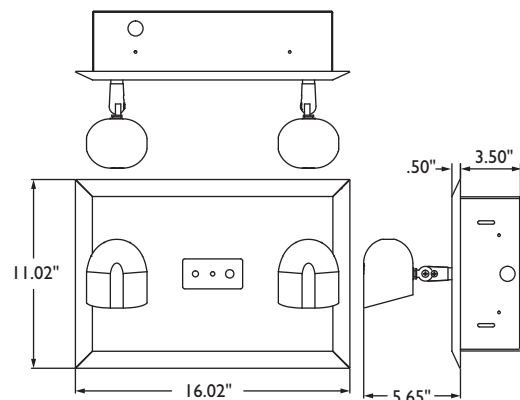
- BD – The battery disconnect switch allows for the electrical switching between the battery and the connected load (lamp heads) whether they be directly mounted to the equipment or installed as remote lamp heads. The switch will be located internally to the equipment and is not made accessible other to those who perform maintenance on the equipment.
- DL – Damp location listed products include various levels of corrosion protection on printed circuit board assemblies and other metallic parts. Environmental testing throughout a range of ambient temperature and 88% relative humidity.
- EX – The special input transformer option allows for input voltage and frequencies beyond the standard 120/277 VAC, 60 Hz input.
- F1 – The AC fuse option includes an in-line fuse on the primary winding of the input transformer for additional electronic protection against utility surges or spikes limited to 120 VAC circuits.
- F2 – The AC fuse option includes an in-line fuse on the primary winding of the input transformer for additional electronic protection against utility surges or spikes limited to 277 VAC circuits.
- P1 – The AC power switch option includes a toggle switch electrically connected to the primary of the input transformer limited to 120 VAC circuits. This option allows for opening the utility feed to the equipment for servicing or maintenance.
- P2 – The AC power switch option includes a toggle switch electrically connected to the primary of the input transformer limited to 277 VAC circuits. This option allows for opening the utility feed to the equipment for servicing or maintenance.
- T – The self-testing option enables a periodic self-test of the equipment where a test routine is established to perform a one-minute test every thirty days with a 30 minute test performed on the sixth and twelfth month in accordance with NFPA 101. Equipment readiness faults are indicated with a visual LED display.
- TA – The audible self-testing option enables a periodic self-test of the equipment where a test routine is established to perform a one minute test every thirty days with a 30 minute test performed on the sixth and twelfth month in accordance with NFPA 101. Equipment readiness faults are indicated with a visual LED display and an audible alarm.
- TD – The time delay circuit causes the emergency lighting equipment to remain under battery power for a period of 15 minutes after the utility power has been restored.

Dimensions

Halogen



MR16/LED



C4 LED RECESSED EMERGENCY UNIT

Performance

M7F LED Lamp					
Mounting	Lamp Designation	Average fc	Path of Egress		Mounting Height
			Width	Length	
Wall	M7F	2.15	3'	40'	7.5'
	M7F	1.93	6'	40'	7.5'
Ceiling	M7F	1.80	3'	40'	10.0'
	M7F	1.66	6'	40'	10.0'

M20 MR16 20W Lamp					
Mounting	Lamp Designation	Average fc	Path of Egress		Mounting Height
			Width	Length	
Wall	M20	1.48	3'	40'	7.5'
	M20	1.33	6'	40'	7.5'
Ceiling	M20	1.20	3'	40'	10.0'
	M20	1.12	6'	40'	10.0'



© 2013 Koninklijke Philips N.V. All rights reserved.
Specifications are subject to change without notice.
www.philips.com/luminaires

CM-24250 10/13 page 3 of 3

Philips Lighting Company
200 Franklin Square Drive
Somerset, NJ 08873
Phone: 855-486-2216

Philips Lighting Company
281 Hillmount Road
Markham ON, Canada L6C 2S3
Phone: 800-668-9008