

**Commercial Emergency**

**RG Series**  
Emergency Recessed Gimbal



**Specifier's Reference**

Project
Type
Model No.
Comments

**codes and standards**

- UL listed to Standard 924
- NFPA 70 (National Electric Code)
- NFPA 101 (Life Safety Code)
- IBC, BOCA, and OSHA illumination standard
- Model RG12C is City of Chicago Environmental Airspace (CCEA) listed

**construction**

- Aluminum housing and gimbal assembly with a compact, low profile design.
- Lamp housing and gimbal assembly are standard with a matte white finish.

**installation**

- Mounting clips provided for direct installation.
- Easy recessed installation in suspended ceilings.
- Trim kit included for plaster and sheetrock ceiling installation.

**electronics**

- 120/277 VAC dual voltage input with surge protected, solid state charging circuitry provides for a reliable charging system.
- Charging system is complete with low voltage disconnect, AC lockout, brownout protection, AC indicator lamp and test switch.
- All electronics are completely self contained.
- Power consumption  
120 VAC - 0.08 A 8.4 W.  
277 VAC - 0.03 A, 8.8 W.
- Standard location: 65°F (19°C) to 85°F (30°C).

**lamps**

- Illumination is provided by a high output tungsten or halogen lamp head.
- The lamp can be adjusted in two planes up to 26° for application flexibility.

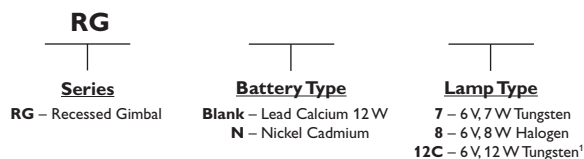
**battery**

- Maintenance free sealed lead calcium with 5 year life or sealed nickel cadmium battery with 10 year life.
- Provides a minimum of 90 minutes emergency illumination.

**warranty**

- Five full year warranty on electronics and unit (excluding lamps).

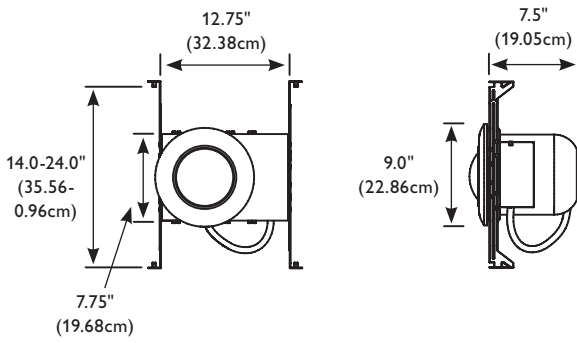
**Green Product Choice: RGN7**



**Footnote**

<sup>1</sup> 12C model only available with lead calcium battery.

dimensions



© 2013 Koninklijke Philips Electronics N.V. All rights reserved.  
Specifications are subject to change without notice.

CM-24600 03/13

Philips Lighting Company  
200 Franklin Square Drive  
Somerset, NJ 08873  
Phone: 855-486-2216

[www.philips.com/luminaires](http://www.philips.com/luminaires)

Philips Lighting Company  
281 Hillmount Road  
Markham ON, Canada L6C 2S3  
Phone: 800-668-9008

[www.philips.com/luminaires](http://www.philips.com/luminaires)