

Architectural Emergency

Splendore  
LED Wall Light  
AC only or Emergency only



Specifier's Reference

Project
Type
Model No.
Comments

codes and standards

- UL 1598 listed, UL 924 listed.
- UL damp location listing optional
- NFPA 101, NEC, IBC, BOCA, and OSHA illumination standard
- Approved for use in the city of Chicago

construction

- The Splendore Series housing consists of die cast and extruded aluminum powder painted components.
- A full range of pleasing architecturally inspired finishes are available.

installation

- Splendore is designed to be wall mounted to a 3-1/2" octagonal junction box.
- Installation is quick and easy using simple two-piece snap together construction.
- The backplate is provided with convenient keyhole slots for mounting and a tamperproofing option is available for added security.

diagnostic electronics

- 120/277VAC dual voltage input with surge protection is standard on all models.
- Self-powered models feature the Intelli-Charge circuit where the charging system is microprocessor driven with software embedded diagnostic routine and temperature compensation.
- Self-powered models include brownout detection, AC lockout, low voltage disconnect, AC power indicator, charge status indicator, audible user-interface controls, visual LED system fault indicator, and tactile push-to-test switch.
- Additional equipment safety features include reverse battery polarity detection and protection.
- All self-powered models include an on-board IR receiver for use with the optional hand-held remote (ICIR).
- Optional self-testing electronics – the diagnostic/charging platform with optional self-testing mode automatically runs a one minute self-test once a month and a 30 minute test on the sixth and twelfth month in accordance with NFPA 101.

operating temperature range

- Standard: 65°F (19°C) to 85°F (30°C).
- Damp location: 50°F (10°C) to 104°F (40°C).

lamps

- Illumination is provided by two field-replaceable white LED modules and a vacuum plated polycarbonate reflector.
- The two LED modules are independently driven and operate at 5,500K.

battery

- Maintenance free sealed nickel metal hydride with 10 year life.
- Provides a minimum of 120 minutes emergency illumination.

electrical specifications

- AC unit – 120/277VAC, 60Hz 0.09/0.03A
- EM unit – 120/277VAC, 60Hz .034/.015A

warranty

- Five full years on electronics and unit.

SN01 and SN02 models

- 2CKT1: offers the AC-only input but includes a 120/120 utility and emergency feed from a generator or AC inverter system for egress lighting.
- 2CKT2: offers the AC-only feature but includes a 277/277 utility and emergency feed from a generator or AC inverter system for egress lighting.

Green Product Choice: SEMWIC

Series

- SN01 – AC only with 120V 2 circuit feature
- SN02 – AC only with 277V 2 circuit feature
- SEM – Emergency only

Housing Finish

- W – White
- B – Black
- A – Aluminum
- G – Gunmetal
- BR – Ornamental Bronze
- AC – Aged Copper
- VG – Velvet Green
- N – Nickel

Model Designator

- IC – Intellicharge diagnostics (specified with SEM model)
- blank – when specifying the SN01 or SN02 models

Options<sup>1</sup>

- DL – Damp Location
- TP – Tamperproof
- EX – Special Input Transformer (specify voltage & frequency)<sup>1</sup>
- T – Self-Testing Diagnostics
- TA – Audible Self-Testing Diagnostics
- TD – Time Delay

Accessories (Order Separately)

- ICIR – Intelli-Charge infra-red remote
- T10TPTOOL – Tamperproof screwdriver

Footnotes

<sup>1</sup>Some option combinations may impact UL listing. Consult factory for specifics.

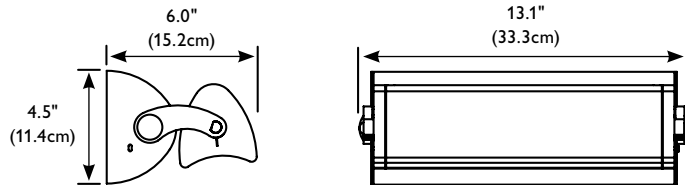


options

- TP – The tamperproof option provides torx T15 hardware with center pin reject and the bit required to secure and access the equipment for future servicing.
- EX – The special input transformer option allows for input voltage and frequencies beyond the standard 120/277 VAC, 60 Hz input.
- DL – Damp location listed products include various levels of corrosion protection on printed circuit board assemblies and other metallic parts. Environmental testing throughout a range of ambient temperature and 88% relative humidity.

- T – The self-testing option enables a periodic self-test of the equipment where a test routine is established to perform a one minute test every thirty days with a 30 minute test performed on the sixth and twelfth month in accordance with NFPA 101. Equipment readiness faults are indicated with a visual LED display.
- TA – The audible self-testing option enables a periodic self-test of the equipment where a test routine is established to perform a one-minute test every thirty days with a 30 minute test performed on the sixth and twelfth month in accordance with NFPA 101. Equipment readiness faults are indicated with a visual LED display and an audible alarm.
- TD – The time delay circuit causes the emergency lighting equipment to remain under battery power for a period of 15 minutes after the utility power has been restored.

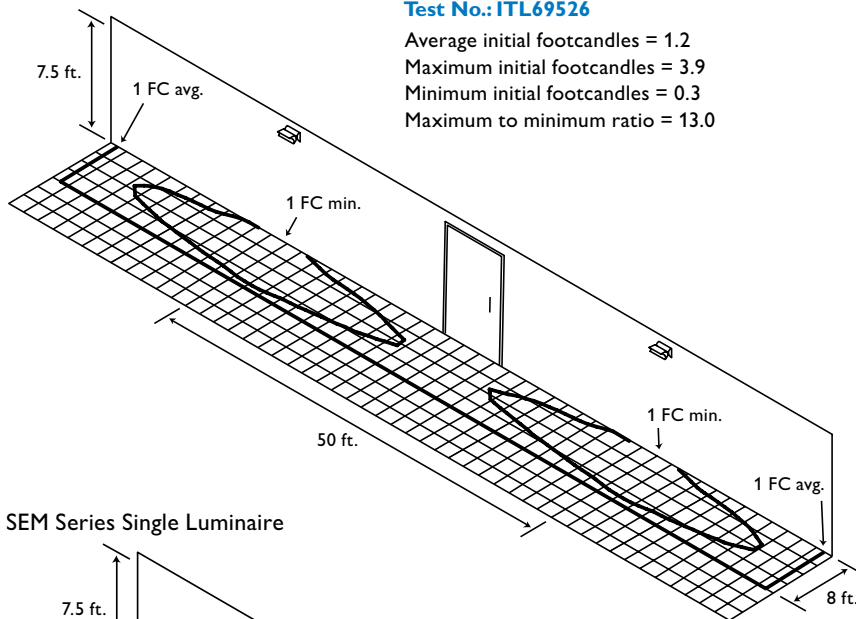
dimensions



performance

Meets Life Safety Code illumination standard; average of 1.0 FC, no point less than 0.1 FC, max to min ratio of 40:1. Assumes open space with no obstructions, mounting height: 7.5' and reflectances: 80/50/20. Analysis based on independently tested photometrics.

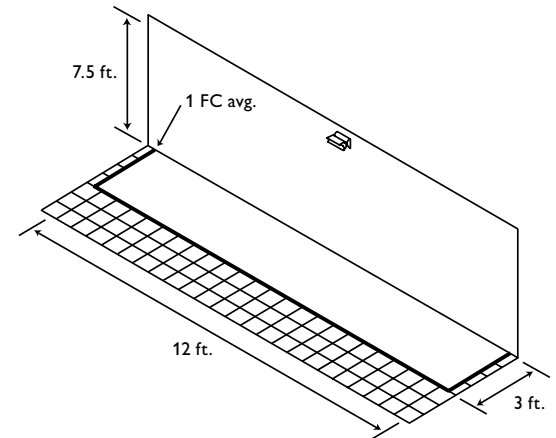
SEM Series Double Luminaire



Test No.: ITL69526

Average initial footcandles = 1.2  
 Maximum initial footcandles = 3.9  
 Minimum initial footcandles = 0.3  
 Maximum to minimum ratio = 13.0

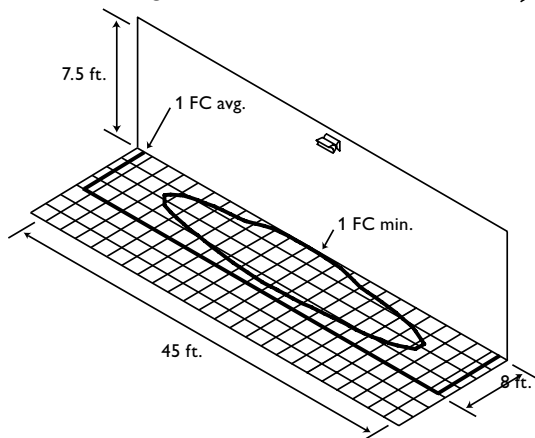
SNO Series Single Luminaire



Test No.: ITL568596

Dual fixtures on 26 ft centers provide 1 footcandle average. Single fixture provides 1 footcandle average over 12 feet.

SEM Series Single Luminaire



Test No.: ITL69526

Average initial footcandles = 1.17  
 Maximum initial footcandles = 3.9  
 Minimum initial footcandles = 0.1  
 Maximum to minimum ratio = 39.0

