

# Offering a slim profile, clean aesthetics and reliability



PHILIPS CHLORIDE DISKUSS LED WALL LIGHT

The Philips Chloride Diskuss LED Wall Light is a slim architectural emergency or AC only die cast aluminum luminaire. Suitable for use indoors or outdoors, the Diskuss is ideal for retail, hotels, theatres, or other aesthetically sensitive areas.

Project: \_\_\_\_\_  
 Location: \_\_\_\_\_  
 Catalog No: \_\_\_\_\_  
 Fixture Type: \_\_\_\_\_  
 Mfg: \_\_\_\_\_ Lamps: \_\_\_\_\_ Qty: \_\_\_\_\_  
 Notes: \_\_\_\_\_

Ordering guide

Series	Operation	Housing Finish	LED Designator	Circuitry	Options <sup>1</sup>
<input type="text" value="D"/>	<input type="text" value=""/>	<input type="text" value=""/>	<input type="text" value=""/>	<input type="text" value="IC"/>	<input type="text" value=""/>
<b>D</b> Diskuss LED Wall Light	<b>A</b> AC Only <b>N</b> Self-Powered Emergency Unit with Nickel Metal Hydride Battery (NiMH)	<b>W</b> White <b>B</b> Black <b>A</b> Aluminum <b>G</b> Gunmetal <b>BR</b> Ornamental Bronze <b>AC</b> Aged Copper <b>VG</b> Velvet Green <b>N</b> Nickel <b>GA</b> Granite	<b>31K</b> 3,100K <b>65K</b> 6,500K	<b>IC</b> Intelli-Charge Diagnostics	<b>2CKT1</b> Two-Circuit 120/120 VAC (AC only models) <b>2CKT2</b> Two-Circuit 277/277 VAC (AC only models) <b>DC</b> Universal 12-48 VDC Remote Emergency Input (AC only models) <b>EX</b> Special Input Transformer (specify voltage & frequency) <sup>1</sup> <b>HR</b> Heater Option for -40°C to 40°C Ambient <b>T</b> Self-Testing Diagnostics <b>TA</b> Audible Self-Testing Diagnostics <b>TD</b> Time Delay

Footnotes:  
<sup>1</sup> Some option combinations may impact UL listing. Consult factory for specifics.

Accessories:  
 ICIR – Intelli-Charge infra-red remote  
 T10TPTOOL – Tamperproof screwdriver

Codes and standards

- UL 1598 listed, UL 924 listed
- UL wet location listing standard
- NFPA 101, NEC, IBC, BOCA, and OSHA illumination standard
- ADA compliant

Construction

- Fully-gasketed and powder-painted die cast aluminum round housing with a round cover with UV stabilized polycarbonate lens.
- Tamperproof hardware is included standard.

Installation

- Designed for direct mounting to a 3-1/2" octagonal, 4" octagonal or single gang junction boxes using convenient keyhole knockouts on the back housing.
- The unit may also be connected to surface conduit by means of the top-located conduit entry knockout.

- All product variations include a dedicated normally on input that allows for switching, dimming, photocell or time clock control.

Lamps

- Illumination is provided by two field-replaceable white LED modules and a vacuum plated polycarbonate reflector.
- The two LED modules are independently driven and operate at 3,100 K or 6,500 K based on selected models.

Battery

- Maintenance free sealed nickel metal hydride with 10 year life.
- Provides a minimum of 90 minutes emergency illumination.

Warranty

- Five full year on electronics and unit.

Electronics

- 120/277 VAC dual voltage input with surge protection is standard on all models.
- Self-powered models feature the Intelli-Charge circuit where the charging system is microprocessor driven with software embedded diagnostic routine and temperature compensation.
- Self-powered models include brownout detection, AC lockout, low voltage disconnect, AC power indicator, charge status indicator, audible user-interface controls, visual LED system fault indicator, and tactile push-to-test switch.
- Additional equipment safety features include reverse battery polarity detection and protection, and reverse utility power detection and protection.
- All self-powered models include an on-board IR receiver for use with the optional hand-held remote (ICIR).



## Electronics (continued)

- Optional self-testing electronics - the diagnostic/charging platform with optional self-testing mode automatically runs a one minute self-test once a month and a 30 minute test on the sixth and twelfth month in accordance with NFPA 101.
- A one minute or 90 minute test may be initiated via the push to test switch on the unit or by activating the appropriate test command on the optional IR test device.
- Power Consumption –  
AC-only models, standard wet location: -40°F (-40°C) to 104°F (40°C).  
AC-only models, standard wet location w/ 2CKT option: -40°F (-40°C) to 104°F (40°C).  
Self-powered models, standard wet location: 32°F (0°C) to 104°F (40°C).  
Self-powered models, standard wet location w/ heater option: -40°F (-40°C) to 104°F (40°C).  
AC only models: (120 VAC) 60 Hz, 0.203 A; (277 VAC) 60 Hz, 0.087A.  
AC only, 2 circuit models: (120 VAC) 60 Hz, 0.203 A; (277 VAC) 60 Hz, 0.087 A.

Self-powered models without heater: (120 VAC) 60 Hz, 0.198 A; (277 VAC) 60 Hz, 0.088 A.  
Self-powered models with heater: (120 VAC) 60 Hz, 0.366 A; (277 VAC) 60 Hz, 0.148 A.

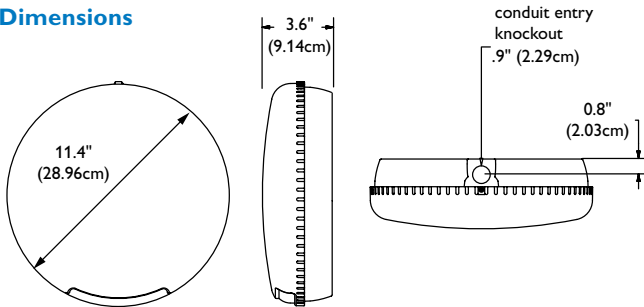
## Options

- **2CKT1** – Available on AC only configured models to accommodate inputs from a normally on circuit and an AC emergency circuit from a generator or emergency inverter circuit limited to 120 VAC circuits.
- **2CKT2** – Available on AC only configured models to accommodate inputs from a normally on circuit and an AC emergency circuit from a generator or emergency inverter circuit limited to 277 VAC circuits.
- **DC** – The DC option is reserved for AC only configured models and accommodates wiring to a remote emergency battery unit. The DC input is not polarity sensitive and accepts 12 to 48 VDC from a remote source.
- **EX** – The special input transformer option allows for input voltage and frequencies beyond the standard 120/277 VAC, 60 Hz input.
- **HR** – The heater option is available for self-powered integral battery models for use in temperatures

ranging from -40°F to 104°F. The heater blanket operation is microprocessor controlled for optimum thermal management.

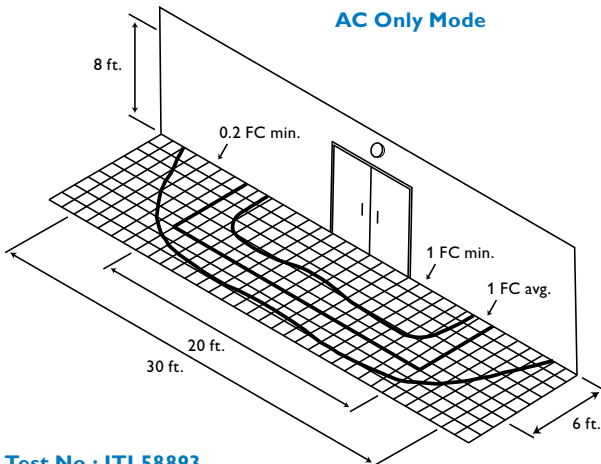
- **T** – The self-testing option enables a periodic self-test of the equipment where a test routine is established to perform a one minute test every thirty days with a 30 minute test performed on the sixth and twelfth month in accordance with NFPA 101. Equipment readiness faults are indicated with a visual LED display.
- **TA** – The audible self-testing option enables a periodic self-test of the equipment where a test routine is established to perform a one-minute test every thirty days with a 30 minute test performed on the sixth and twelfth month in accordance with NFPA 101. Equipment readiness faults are indicated with a visual LED display and an audible alarm.
- **TD** – The time delay circuit causes the emergency lighting equipment to remain under battery power for a period of 15 minutes after the utility power has been restored.

## Dimensions



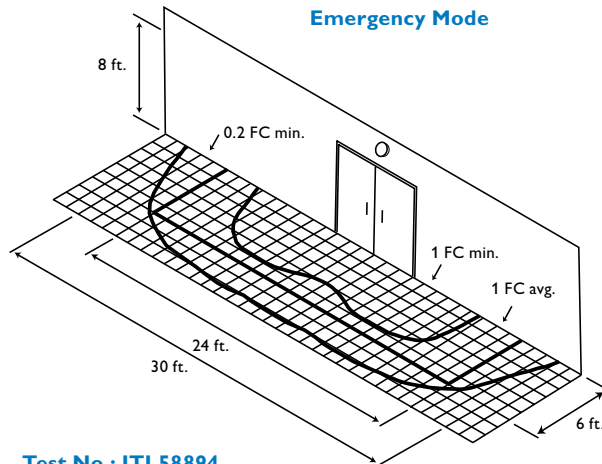
## Performance

Meets Life Safety Code illumination standard; average of 1.0 FC, no point less than 0.1 FC, max to min ratio of 40:1. Assumes open space with no obstructions, mounting height: 8' and reflectances: 80/50/20. Analysis based on independently tested photometrics.



### Test No.: ITL58893

Normal or Emergency Operation (AC Only and AC 2 Circuit)  
Dual fixtures on 27' centers, 8' AFF, provide an average of 1 footcandle on a 5' wide path.  
Single fixture provides an average of 1 footcandle over 20 feet on a 6' wide path.



### Test No.: ITL58894

Emergency Operation (Self-Powered)  
Dual fixtures on 30' centers, 8' AFF, provide an average of 1 footcandle on a 6' wide path.  
Single fixture provides an average of 1 footcandle over 24 feet on a 6' wide path.

© 2015 Koninklijke Philips N.V. All rights reserved.  
Philips reserves the right to make changes in specifications and/or to discontinue any product at any time without notice or obligation and will not be liable for any consequences resulting from the use of this publication.  
philips.com/luminaires



Philips Lighting North America Corporation  
200 Franklin Square Drive, Somerset, NJ 08873  
Tel. 855-486-2216

Philips Lighting Canada Ltd.  
281 Hillmount Rd, Markham, ON, Canada L6C 2S3  
Tel. 800-668-9008