

NYC Exits/Emergency

48 Line

Slender LED Die Cast Aluminum
NYC Approved 8" Letters



Specifier's Reference

Project
Type
Model No.
Comments

codes and standards

- UL listed to Standard 924
- NFPA 101 (Life Safety Code)
- NFPA 70 (National Electric Code)
- New York City approved (8" letters)
- UL listed for damp location

construction

- Housing is a low profile design, constructed of die cast aluminum.
- Available in matte black housing with brushed aluminum face.
- All signs provided with shallow canopy for ceiling or end mount installations.
- All units have concealed directional chevron indicators (knockouts).
- 8" letter height with 1" stroke.
- Available in single face or double face configurations.
- Quick snap together design.

installation

- Universal mounting (wall, side, or ceiling).
- Canopy and mounting hardware provided for ceiling and end mount applications.
- Universal knockouts on backplate allow for wall mounting directly to J-Box.

electronics

- The red or green efficient LEDs provide a bright uniform illumination and have an expected life of 10 years.
- LED indicator light and push button switch.
- 120/277VAC Dual voltage input.
- Power Consumption: 3.1W

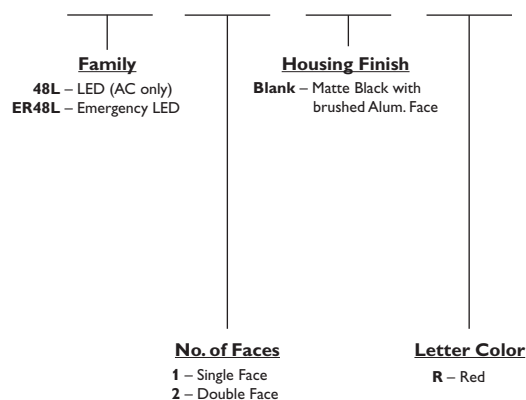
battery

- Maintenance free 6V sealed nickel cadmium battery.
- Operating temperature range of 20°F (-7°C) to 104°F (40°C).
- Provides 90 minute of emergency illumination while in emergency mode.
- 24 hour recharge after 90 minute discharge.
- Low voltage battery disconnect prevents deep discharge damage to battery.

warranty

- Five year warranty on exit.

Green Product Choice: ER48L2R

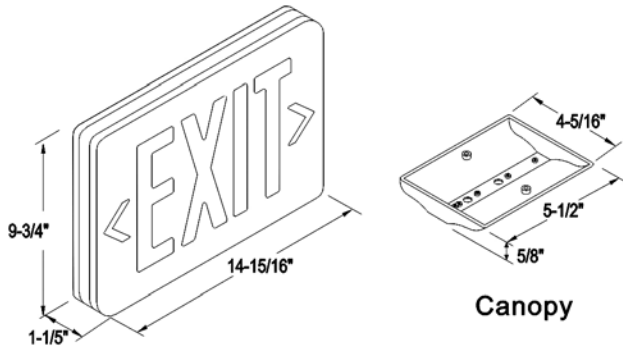


Accessories

- PVS2 – Polycarbonate Vandal Shield
- WG4 – Wire Guard



dimensions



© 2013 Koninklijke Philips Electronics N.V. All rights reserved.
Specifications are subject to change without notice.

CN-26400 03/13

Philips Lighting Company
200 Franklin Square Drive
Somerset, NJ 08873
Phone: 855-486-2216

www.philips.com/luminaires

Philips Lighting Company
281 Hillmount Road
Markham ON, Canada L6C 2S3
Phone: 800-668-9008

www.philips.com/luminaires