

codes and standards

- ETL listed to UL standard 924

construction

- The PathMaster Power System is constructed of heavy 18 gauge die formed steel and has an easily removable front cover for inspection, service, and maintenance.
- Top and side knockouts are conveniently located to route output circuits or to hardwire if used in a commercial application.

application

- The PathMaster Power System receives input power via pre wired three foot wired cord and plug sets and requires the dedicated use of two convenience outlets.
- For simplicity, the power system is usually wall mounted in a garage or utility closet with a nearby duplex convenience outlet.
- Unswitched input power (120 VAC) is routed through one power cord, and the alternate power cord should be connected to an additional receptacle or timeclock if the user wishes to turn connected luminaires on and off at preset times of day.
- 12 VAC power is routed from the power system output to connected luminaires.
- Two circuit breaker protected 75 W output circuits are available to support connected PathMaster luminaires.

installation

- The PathMaster Power System is designed specifically for wall mounting and is provided with keyhole slots on the back for ease of installation.

electronics

- The PathMaster Power System electronics consists of three sections to include a fully automatic battery charging system, output isolation transformer, and a power failure sensing control circuit that automatically routes battery power to PathMaster luminaires in the event of a power failure.
- The battery charger is completely solid-state and is designed to operate unattended.
- The battery charger module is voltage regulated, temperature compensated, and automatically adjusts charge voltage based on battery condition.

- The output transformer feeds two 75 W luminaire output circuits that can be switched via front cover mounted toggle switches, or via remote switches installed by the contractor/end user.
- The power failure sensing control circuit automatically senses loss of utility power and routes battery output to the Pathmaster luminaires, bypassing the switch control.
- When normal power returns, this circuit restores all operating parameters back to normal and instructs the battery charger to begin a full re-charge of batteries.

controls

- The PathMaster Power System supports two front mounted toggle switches for control of two 75 W luminaire output circuits.
- A momentary push switch is located on the right side of power system, and when actuated, will simulate a power failure to engage the emergency battery power supply.
- Also located on the right side of Power System is a red LED indicator lamp, that when illuminated, indicates a system normal operation with utility power available.

operating temperature range

- Standard location: 65°F (19°C) to 85°F (30°C).

lamps

- Provide continuous low voltage normal power and emergency power to support 15 12 VAC/VDC PathMaster luminaires.

battery

- Maintenance free sealed lead calcium with 5 year life.
- Provides a minimum of 90 minutes emergency illumination.

electrical specifications

- Input - 120 VAC, 60 Hz, 1.9 A max.
- Normal output - 12 VAC, 60 HzZ, 150 VA/150 W.
- Emergency output - 12 VDC, 150 W via (2) 75 W circuits.

warranty

- Three year full warranty on electronics.
- One year full plus four year prorated battery warranty.



Specifier's Reference

Project
Type
Model No.
Comments

Model Example: PMPS1

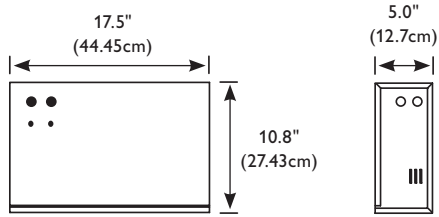
PMPS1

Series

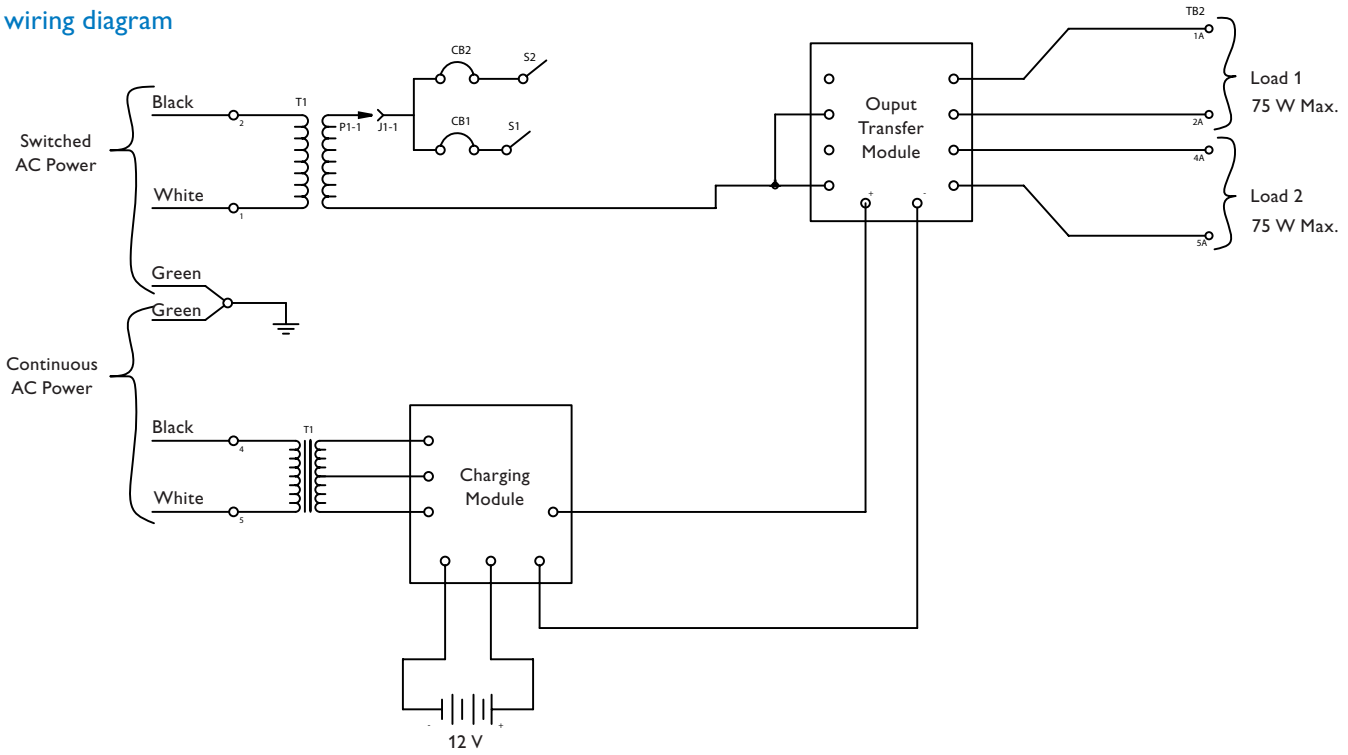
PMPS1 – PathMaster Power System

For use exclusively with 12 VAC PathMaster LED luminaires and 12 VAC PathMaster Bollard LED luminaires.

dimensions



wiring diagram



© 2013 Koninklijke Philips Electronics N.V. All rights reserved.
Specifications are subject to change without notice.

CP-60050 03/13

Philips Lighting Company
200 Franklin Square Drive
Somerset, NJ 08873
Phone: 855-486-2216

www.philips.com/luminaires

Philips Lighting Company
281 Hillmount Road
Markham ON, Canada L6C 2S3
Phone: 800-668-9008

www.philips.com/luminaires