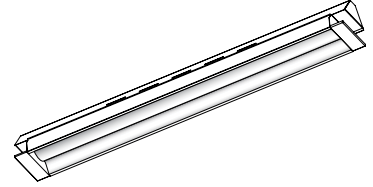


Architectural Fluorescent

6" Softrace
Armstrong® Techzone™
Compatible



Specifier's Reference

Project
Type
Model No.
Comments

application

- 6" wide high efficiency recessed luminaire with subtle architectural styling to complement any space.
- Smooth brightness across the face of the luminaire prevents glare and provides excellent visual comfort.
- Designed for use with the Armstrong TechZone ceiling system.
- Soft uniform lighting provides excellent visual comfort.
- High optical efficiency increases energy savings.
- Specialized optical system directs a carefully controlled amount of light to higher angles. This distribution addresses the "cave effect" normally created by parabolic luminaires and makes the space feel brighter and more open.
- Luminaire is thermally optimized, allowing its T5 lamp to operate nearer the peak operating temperature for light output.
- Models are available for grid or screw slot applications.
- Screw slot models position the bottom of the luminaire even with the ceiling plane.

construction/finish

- Lamp and ballast are accessible from below.
- Grid clips included.
- Suitable for mounting end to end in adjacent ceiling cells.

electrical

- Spring loaded T5 lampholders standard.
- UL listed for damp locations.

enclosures

- Shielding consists of a curved acrylic center diffuser with overlay and diffuse acrylic side panels.

options

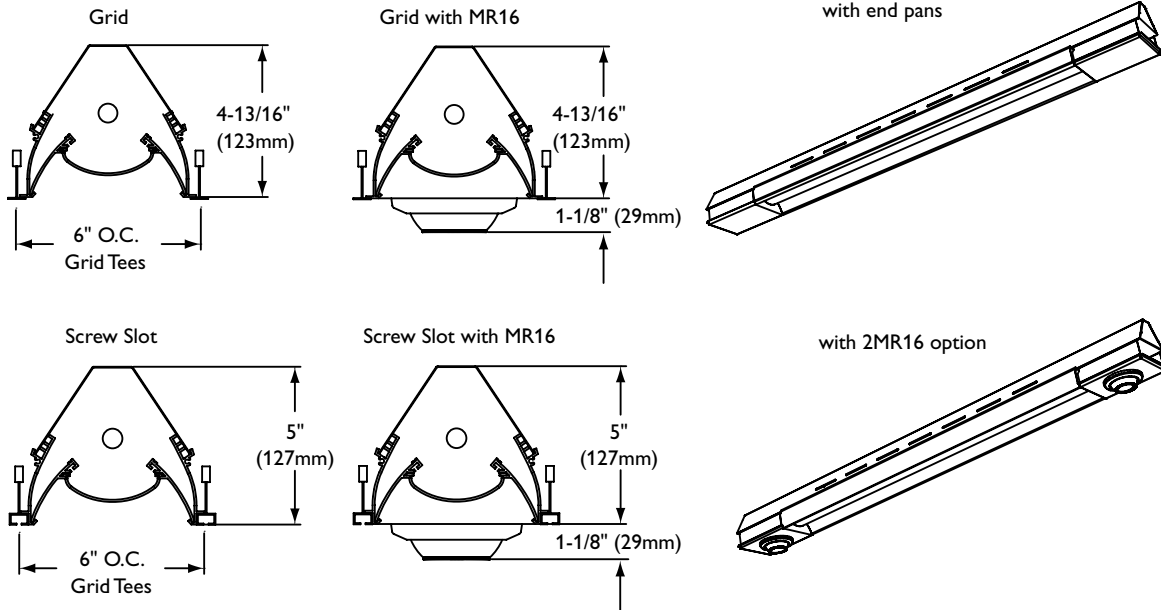
- End pans can be ordered by specifying a luminaire length 1' longer than the nominal lamp length (i.e. a 54HO model with 5' length.)
- Optional end pans are 7-3/4" long solid white steel panels and can be used for locating speakers, sprinkler heads, return air openings, etc.
- Special feature provisions can be factory incorporated into end pans in some instances. Contact factory rep for details.
- "MR16" options available for 120V models with end pans, consists of an aimable aluminum eyeball in one or both end pans. Requires 120V MR16 lamps, GU10 base, 50W max per eyeball.

Green Choice: 6STG128-4-D-UNV-1/1-EB

6	ST	1	-	D	-	-
Family ST – SofTrace	No. of Lamps (not included) 1	Luminaire Length 2 – 2' 3 – 3' 4 – 4' 5 – 5'	Voltage 120 277 347 UNV – Universal voltage, 120-277 volt			
Width 6 – 6"	Ceiling Type G – Grid T – Screw Slot	Lamp/Type/Wattage 14 – 14WTS (22") 21 – 21WTS (34") 28 – 28WTS (46") 24HO – 24WTS5HO (22") 39HO – 39WTS5HO (34") 54HO – 54WTS5HO (46")	Diffusers D – Diffuse w/ overlay	Options 1/1 – One 1-lamp ballast EBD – Electronic dimming ballast EB – Electronic ballast, standard LPT830 – Installed lamps, 80+ CRI, 3000K LPT835 – Installed lamps, 80+ CRI, 3500K LPT841 – Installed lamps, 80+ CRI, 4100K 1MR16 – MR16 eyeball in one end pan (120V models with end pans only) 2MR16 – MR16 eyeball in both end pans (120V models with end pans only)		

0163-AR dimensions

6" Softrace Armstrong® Techzone™ Compatible



photometry

6" SofTrace 1 Lamp F54T5HO

Efficiency – 68.6.0%

LER – 52

TER – 45

Catalog No.	6STG154HO-5-D-1/1-EB
Test No.	27291
S/MH	1.2
Source	F54T5HO
Lumens	4400
Input Watts	64
Comparative yearly lighting energy cost per 1000 lumens – \$4.62 based on 3000 hrs. and \$.08 pwr KWH.	
The photometric results were obtained in the Philips Day-Brite laboratory which is NVLAP accredited by the National Institute of Standards and Technology.	
Photometric values based on test performed in compliance with LM-79.	

Candlepower

Angle	End	45	Cross
0	1232	1232	1232
5	1222	1210	1262
10	1197	1185	1237
15	1170	1157	1205
20	1125	1112	1152
25	1069	1053	1086
30	1011	998	998
35	923	898	899
40	851	816	808
45	747	704	666
50	660	605	560
55	548	488	442
60	468	408	387
65	356	294	268
70	275	215	211
75	183	146	140
80	122	101	101
85	54	54	59

Light Distribution

Degrees	Lumens	% Luminaire	
0-30	934	21.2	30.9
0-40	1497	34.0	49.6
0-60	2482	56.4	82.2
0-90	3019	68.6	100.0

Coefficients of Utilization

EFFECTIVE FLOOR CAVITY REFLECTANCE 20 PER (pfc=0.20)

pcc	80			70			50	
	70	50	30	70	50	30	50	30
pw								
RCR								
0	88	88	88	84	84	84	80	80
1	80	77	73	78	75	71	69	68
2	73	68	63	70	66	60	61	57
3	67	59	54	65	57	53	55	51
4	61	53	46	59	52	46	48	44
5	56	47	40	55	46	40	44	39
6	53	42	36	51	41	35	40	34
7	48	39	33	46	38	32	36	30
8	46	35	29	44	34	28	34	28
9	42	33	27	40	32	27	30	26
10	40	29	25	39	29	23	28	23



© 2013 Koninklijke Philips Electronics N.V. All rights reserved.
Specifications are subject to change without notice.
www.philips.com/luminaires

0163-AR 04/13

Philips Lighting Company
200 Franklin Square Drive
Somerset, NJ 08873
Phone: 855-486-2216

Philips Lighting Company
281 Hillmount Road
Markham ON, Canada L6C 2S3
Phone: 800-668-9008