

2 Lamp  
T5, T5HO, or T8

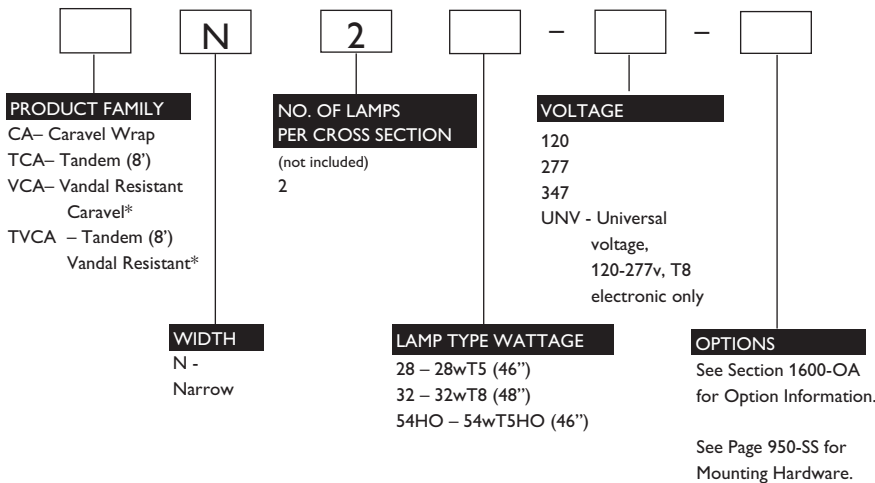
**CONSTRUCTION/FINISH**

- Housing and end plates are phosphate treated for maximum corrosion resistance and painted after fabrication with a high reflectance white polyester powder coat finish for premium reflectivity and protection.
- 100% Acrylic prismatic lens bottom and linear side refractors for maximum clearness and visual comfort.
- 3/16" K.O.s in end plates allow luminaires to be bolted together in continuous row applications, to provide alignment and reduce the number of hangers required when suspended.
- Lens "hinges" down from either side for easy maintenance.
- Heavy duty channel of code gauge die formed steel.
- Full steel end plates are standard.
- 7/8" K.O. in end plate allows through wiring when row mounting.
- Suitable for surface or stem mounting.

**ELECTRICAL**

- Class P, HPF ballasts comply with © Federal Ballast Law (Public Law 100-357,1988).
- UL listed for direct mounting on low-density ceilings and damp locations.
- Lampholders can be individually replaced or rewired.
- Self-contained fluorescent emergency power packs can be incorporated. UL listed for dry location.

**CATALOG NUMBER**



**NOTES:**

•\*For more information on Vandal Resistant models, refer to sheet 717.2-SA in the Special Application section.

•With generic Electronic Ballasts (Brand selected by Day-Brite)

Suffix Catalog # with- Ballast Quantity - / -EB Lamps Per Ballast.

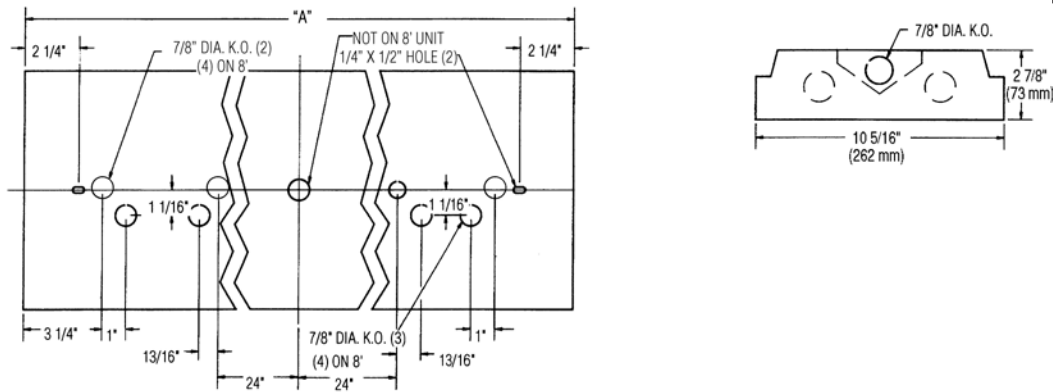
Example: -1/2-EB = One 2 Lamp Electronic Ballast.

Example: -1/4-EB = One 4 Lamp Electronic Ballast.

**JOB INFORMATION**

## DIMENSIONS

**DIM "A"**  
 4' (1219 mm) 48"  
 8' (2438 mm) 96"



## PHOTOMETRIC DATA

CATALOG #CAN232-1/2-EB  
 TEST #41974 S/MH=1.4

LAMPS = F32 T8

INPUT WATTS = 59

BALLAST = ELECTRONIC

BALLAST FACTOR = .92

LER = FW-70

COMPARATIVE YEARLY LIGHTING ENERGY COST PER 1000 LUMENS = \$3.43 BASED ON 3000 HRS. AND \$.08 PER KWH.

FIXTURE EFFICIENCY = 77.8%

CANDLEPOWER			
Angle	End	45	Cross
0	1482	1482	1482
5	1482	1482	1479
15	1432	1463	1483
25	1331	1409	1458
35	1186	1313	1375
45	967	1078	1045
55	541	615	568
65	305	329	388
75	162	208	292
85	45	129	251
95	0	111	261
105	1	147	199
115	3	83	107
125	4	48	62
135	6	44	57
145	7	34	47
155	7	21	32
165	5	9	15
175	5	6	7

MAINTAINED ILLUMINATION TABLE- Square Feet/ Fixture*						
■ 80-50-20 Reflectances (Ceiling-Wall-Floor) ■ LLF = 0.76 2900 Lumens/Lamp very clean ■ Room width divided by room height = 5 or more, 2 or 1						
Fixture Size & # of Lamps	Room Width Room Height =	Approx. Area (sq. ft.) per Fixture				
		10 ft-c	30 ft-c	50 ft-c	70 ft-c	100 ft-c
4'	5	-	117	70	50	35
2-Lamp	2	-	81	48	35	-
	1	-	59	36	-	-

\*Observe Fixture S/MH Requirements for Specific Applications

AVERAGE LUMINANCE CD/SQ.M WITH 2900 LUMEN LAMPS			
ANGLE	END	45°	CROSS
45	4307	4399	3934
55	2970	2986	2472
65	2273	2049	2076
75	1971	1887	2111
85	1626	2278	2934

TYPICAL V.C.P.'s				
Room Size	Mounting Height			
	8.5	10	8.5	10
30x30	61	64	57	62
40x40	58	61	51	56
60x30	62	66	60	65
60x60	55	57	45	50
100x100	53	54	40	43

COEFFICIENT OF UTILIZATION						
pfc pcc pw RCR	20		70		50	
	70	50	30	70	50	30
0	91	91	91	88	88	81
1	82	79	76	80	77	73
2	76	69	65	72	68	63
3	68	61	56	67	59	54
4	64	55	47	61	53	46
5	58	48	42	56	47	41
6	54	44	38	52	42	36
7	50	40	34	48	39	33
8	46	36	29	45	35	29
9	44	34	28	41	33	27
10	40	30	25	40	29	25

LIGHT DISTRIBUTION			
DEGREES	LUMENS	% LAMP	% FIXTURE
0-30	1202	20.7	26.6
0-40	2014	34.7	44.6
0-60	3362	58.0	74.5
0-90	4087	70.5	90.6
90-180	425	7.3	9.4
0-180	4512	77.8	100.0

LLF = .76 LLF = LIGHT LOSS FACTOR LLF = LDD X LLD X BF LDD = VERY CLEAN 0.94 CLEAN 0.90  
 LLD = 0.88 @ 40% RATED LAMP LIFE BF = 0.92 ELECTRONIC BALLAST & T8 LAMP (RELAMP AT 70% LAMP LIFE)



Some luminaires use fluorescent or high intensity discharge (HID) lamps that contain small amounts of mercury. Such lamps are labeled, "Contain Mercury" and/or the symbol "HG". Lamps that contain mercury must be disposed of in accordance with local requirements. Information regarding lamp recycling and disposal can be found at [www.lamprecycle.org](http://www.lamprecycle.org)



© 2013 Koninklijke Philips Electronics N.V. All rights reserved.  
 Specifications are subject to change without notice.

1020-WP 04/13

Philips Lighting Company  
 200 Franklin Square Drive  
 Somerset, NJ 08873  
 Phone: 855-486-2216

[www.philips.com/luminaires](http://www.philips.com/luminaires)

Philips Lighting Company  
 281 Hillmount Road  
 Markham ON, Canada L6C 2S3  
 Phone: 800-668-9008

[www.philips.com/luminaires](http://www.philips.com/luminaires)