

Wraparound Luminaire

CA

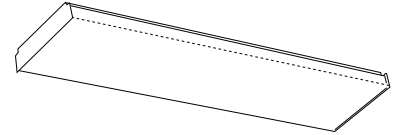
4' or 8' 2 or 4 Lamp T5 or T8,

construction/finish

- Housing and end plates are phosphate treated for maximum corrosion resistance and painted after fabrication with a high reflectance white polyester powder coat finish for premium reflectivity and protection.
- 100% Acrylic prismatic lens bottom and linear side refractors for maximum clearness and visual comfort.
- 3/16" K.O.s in end plates allow luminaires to be bolted together in continuous row applications, to provide alignment and reduce the number of hangers required when suspended.
- Lens "hinges" down from either side for easy maintenance.
- Heavy duty channel of code gauge die formed steel.
- Steel end plates are standard.
- 7/8" K.O. in end plate allows through wiring when row mounting.
- For surface or stem mounting.

electrical

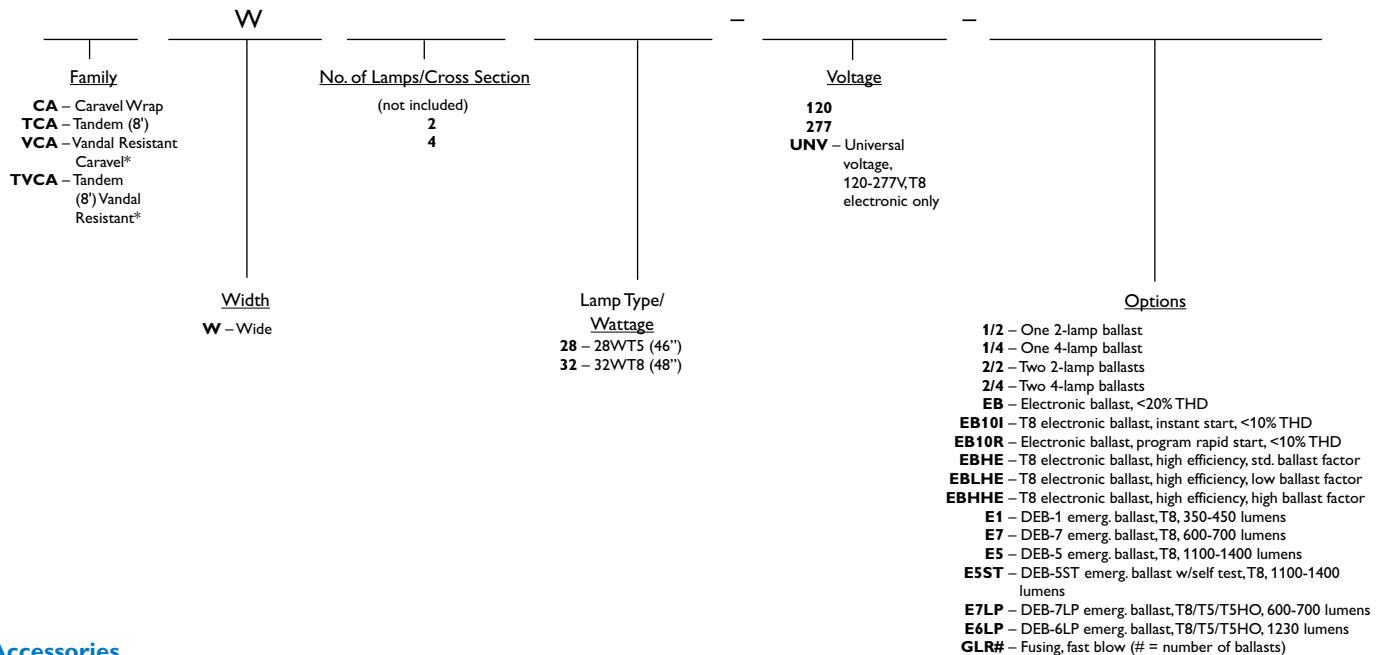
- Class P, HPF certified ballasts comply with Ⓢ Federal Ballast Law (Public Law 100-357,1988).
- UL listed for direct mounting on low-density ceilings and damp locations.
- Lampholders can be individually replaced or rewired.
- Self-contained fluorescent emergency power packs can be incorporated. UL listed for dry location.



Specifier's Reference

Project
Type
Model No.
Comments

Green Choice:

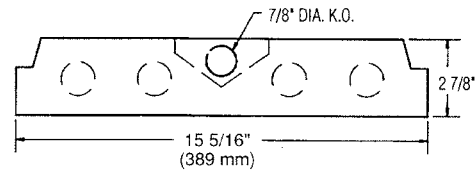
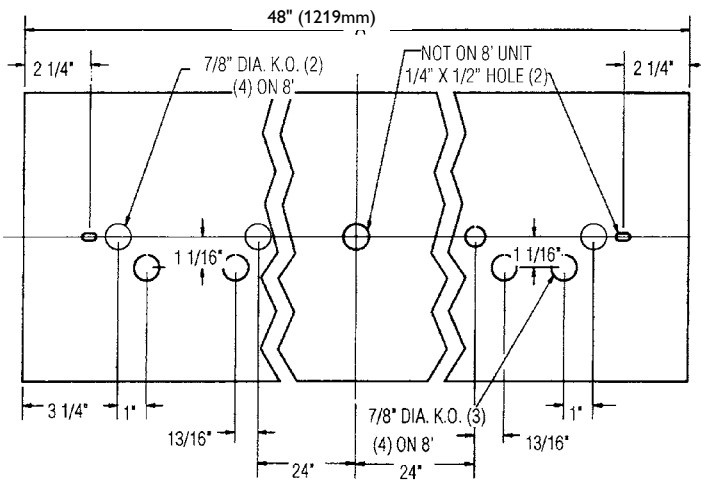


Accessories

- TPDTH – Tamper proof driver, Torx head pin drive
- CS-400 – Rigid stem canopy
- CS-500 – Swivel stem canopy
- CS Series Stems



dimensions



Some luminaires use fluorescent or high intensity discharge (HID) lamps that contain small amounts of mercury. Such lamps are labeled, "Contain Mercury" and/or the symbol "HG". Lamps that contain mercury must be disposed of in accordance with local requirements. Information regarding lamp recycling and disposal can be found at [www.lamprecycle.org](http://www.lamprecycle.org)

photometry

CA 4' 4 Lamp F32T8

Efficiency – 78.2%

LER – 76

<b>Catalog No.</b> CAW432R-1/4-EB <b>Test No.</b> 41976 <b>S/MH</b> 1.4 <b>Lamp Type</b> F32T8 <b>Lumens/Lamp</b> 2900 <b>Ballast Factor</b> .91 <b>Input Watts</b> 108  Comparative yearly lighting energy cost per 1000 lumens – <b>\$3.16</b> based on 3000 hrs. and \$.08 pwr KWH.  The photometric results were obtained in the Philips Day-Brite laboratory which is NVLAP accredited by the National Institute of Standards and Technology.	<b>Candlepower</b>				<b>Light Distribution</b>				<b>Average Luminance</b>							
	<b>Angle</b>	<b>End</b>	<b>45</b>	<b>Cross</b>	<b>Degrees</b>	<b>Lumens</b>	<b>% Lamp</b>	<b>% Luminaire</b>	<b>Angle</b>	<b>End</b>	<b>45°</b>	<b>Cross</b>				
	0	3116	3116	3116	0-30	2512	21.7	27.7	45	6107	6469	6136				
	5	3123	3119	3107	0-40	4197	36.2	46.2	55	4347	4598	3986				
	15	3020	3063	3099	0-60	7077	61.0	78.0	65	3165	3104	3465				
	25	2814	2941	3020	0-90	8492	73.2	93.6	75	2846	2661	3167				
	35	2506	2716	2830	90-180	584	5.0	6.4	85	2307	3359	3909				
	45	2040	2285	2285	0-180	9076	78.2	100.0								
	55	1178	1348	1257	<b>Coefficients of Utilization</b>											
	65	632	696	862	<b>EFFECTIVE FLOOR CAVITY REFLECTANCE 20 PER (pfc=0.20)</b>											
	75	348	395	553	pcc	80			70			50				
85	95	229	372	pw	70	50	30	70	50	30	50	30				
95	0	156	306	RCR												
105	3	163	237	0	92	92	92	89	89	89	83	83				
115	6	119	162	1	83	81	77	81	78	75	73	71				
125	10	87	117	2	77	70	66	75	68	64	65	61				
135	15	65	91	3	70	63	56	68	60	56	57	53				
145	13	48	65	4	65	56	48	63	55	47	52	46				
155	13	31	46	5	59	50	42	57	48	42	46	40				
165	11	17	25	6	55	45	39	53	44	38	41	36				
175	11	11	14	7	51	40	34	50	40	34	39	33				
				8	47	38	30	46	36	30	34	29				
				9	45	34	28	42	34	28	32	27				
				10	41	32	26	40	30	25	29	25				

©2015 Koninklijke Philips N.V. All rights reserved. Philips reserves the right to make changes in specifications and/or to discontinue any product at any time without notice or obligation and will not be liable for any consequences resulting from the use of this publication. [philips.com/luminaires](http://philips.com/luminaires)



Philips Lighting North America Corporation  
 200 Franklin Square Drive, Somerset, NJ 08873  
 Tel. 855-486-2216

Imported by: Philips Lighting  
 A division of Philips Electronics Ltd.  
 281 Hillmount Road, Markham, ON, Canada L6C 2S3  
 Tel. 800-668-9008