

Wraparound Luminaire

CA

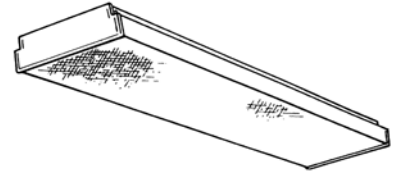
4' 3 Lamp T5 or T8,

construction/finish

- Suitable for surface mounting. Field modification required for 3-lamp pendant mount applications. Consult manufacture's rep.
- Housing and end plates are phosphate treated for maximum corrosion resistance and painted after fabrication with a high reflectance white polyester powder coat finish for premium reflectivity and protection.
- Heavy duty channel of code gauge die formed steel.
- 3/16" K.O.s in end plates allow luminaires to be bolted together in continuous row applications, to provide alignment and reduce the number of hangers required when suspended.
- Lens "hinges" down from either side for easy maintenance.
- 100% Acrylic prismatic lens bottom and linear side refractors for maximum clearness and visual comfort.
- 7/8" K.O. in end plate allows through wiring when row mounting.

electrical

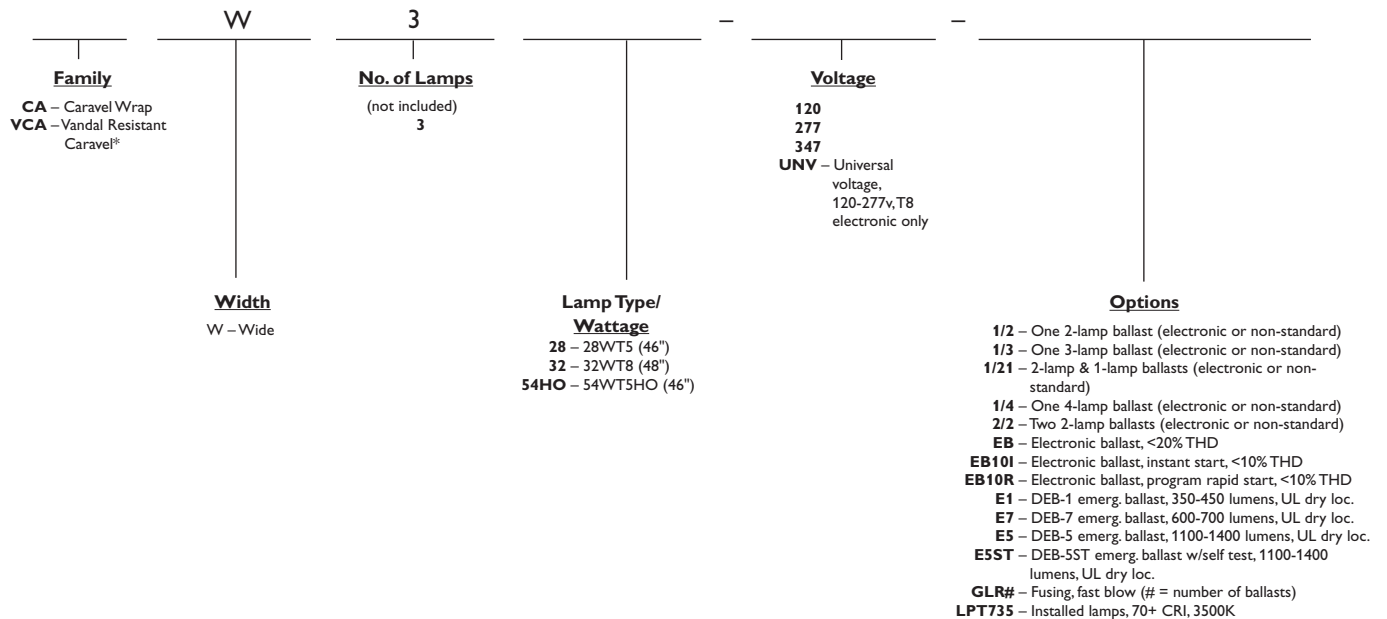
- Class P,HPF certified ballasts comply with © Federal Ballast Law (Public Law 100-357,1988).
- UL listed for direct mounting on low-density ceilings and damp locations.
- Lampholders can be individually replaced or rewired.
- Self-contained fluorescent emergency power packs can be incorporated. UL listed for dry location.



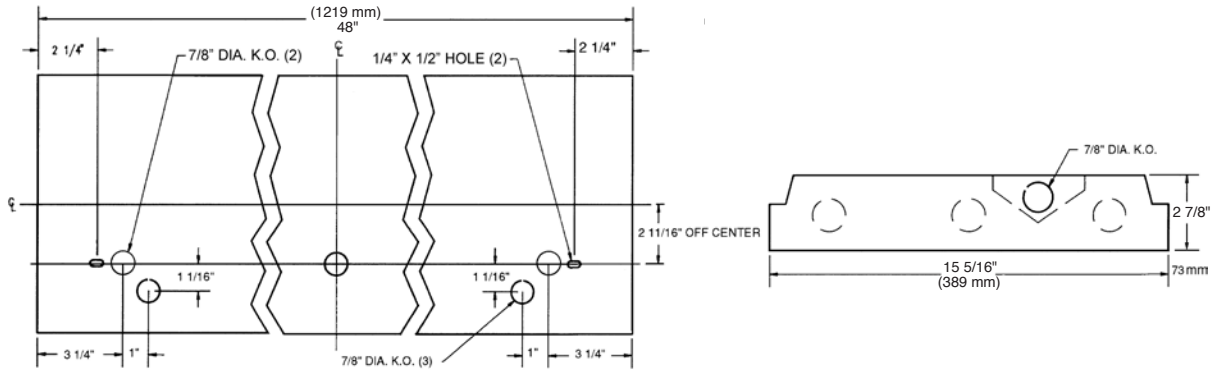
Specifier's Reference

Project
Type
Model No.
Comments

Green Choice:



dimensions



photometry

CA 4' 3 Lamp F32T8

Efficiency – 79.8%

LER – 75

Catalog No. CAW332-1/3-EB Test No. 41974 S/MH 1.4 Lamp Type F32T8 Lumens/Lamp 2900 Ballast Factor .93 Input Watts 86 Comparative yearly lighting energy cost per 1000 lumens – \$3.20 based on 3000 hrs. and \$.08 pwr KWH. The photometric results were obtained in the Philips Day-Brite laboratory which is NVLAP accredited by the National Institute of Standards and Technology.	Candlepower				Light Distribution				Average Luminance																																																																																																																									
	<table border="1"> <thead> <tr> <th>Angle</th> <th>End</th> <th>45</th> <th>Cross</th> </tr> </thead> <tbody> <tr><td>0</td><td>2339</td><td>2339</td><td>2339</td></tr> <tr><td>5</td><td>2340</td><td>2337</td><td>2331</td></tr> <tr><td>15</td><td>2267</td><td>2302</td><td>2328</td></tr> <tr><td>25</td><td>2110</td><td>2208</td><td>2274</td></tr> <tr><td>35</td><td>1876</td><td>2053</td><td>2133</td></tr> <tr><td>45</td><td>1534</td><td>1730</td><td>1757</td></tr> <tr><td>55</td><td>866</td><td>1020</td><td>973</td></tr> <tr><td>65</td><td>474</td><td>540</td><td>679</td></tr> <tr><td>75</td><td>260</td><td>310</td><td>453</td></tr> <tr><td>85</td><td>68</td><td>184</td><td>322</td></tr> <tr><td>95</td><td>0</td><td>134</td><td>266</td></tr> <tr><td>105</td><td>1</td><td>137</td><td>205</td></tr> <tr><td>115</td><td>4</td><td>94</td><td>129</td></tr> <tr><td>125</td><td>8</td><td>60</td><td>78</td></tr> <tr><td>135</td><td>10</td><td>45</td><td>60</td></tr> <tr><td>145</td><td>9</td><td>34</td><td>47</td></tr> <tr><td>155</td><td>9</td><td>22</td><td>33</td></tr> <tr><td>165</td><td>8</td><td>12</td><td>17</td></tr> <tr><td>175</td><td>8</td><td>7</td><td>9</td></tr> </tbody> </table>	Angle	End	45	Cross	0	2339	2339	2339	5	2340	2337	2331	15	2267	2302	2328	25	2110	2208	2274	35	1876	2053	2133	45	1534	1730	1757	55	866	1020	973	65	474	540	679	75	260	310	453	85	68	184	322	95	0	134	266	105	1	137	205	115	4	94	129	125	8	60	78	135	10	45	60	145	9	34	47	155	9	22	33	165	8	12	17	175	8	7	9	<table border="1"> <thead> <tr> <th>Degrees</th> <th>Lumens</th> <th>% Lamp</th> <th>% Luminaire</th> </tr> </thead> <tbody> <tr><td>0-30</td><td>1890</td><td>21.7</td><td>27.2</td></tr> <tr><td>0-40</td><td>3161</td><td>36.3</td><td>45.5</td></tr> <tr><td>0-60</td><td>5356</td><td>61.6</td><td>77.2</td></tr> <tr><td>0-90</td><td>6478</td><td>74.5</td><td>93.3</td></tr> <tr><td>0-180</td><td>6941</td><td>79.8</td><td>100.00</td></tr> </tbody> </table>	Degrees	Lumens	% Lamp	% Luminaire	0-30	1890	21.7	27.2	0-40	3161	36.3	45.5	0-60	5356	61.6	77.2	0-90	6478	74.5	93.3	0-180	6941	79.8	100.00	<table border="1"> <thead> <tr> <th>Angle</th> <th>End</th> <th>45°</th> <th>Cross</th> </tr> </thead> <tbody> <tr><td>45</td><td>4592</td><td>4898</td><td>4718</td></tr> <tr><td>55</td><td>3196</td><td>3479</td><td>3085</td></tr> <tr><td>65</td><td>2374</td><td>2408</td><td>2729</td></tr> <tr><td>75</td><td>2126</td><td>2088</td><td>2594</td></tr> <tr><td>85</td><td>1652</td><td>2699</td><td>3383</td></tr> </tbody> </table>	Angle	End	45°	Cross	45	4592	4898	4718	55	3196	3479	3085	65	2374	2408	2729	75	2126	2088	2594	85	1652	2699
Angle	End	45	Cross																																																																																																																															
0	2339	2339	2339																																																																																																																															
5	2340	2337	2331																																																																																																																															
15	2267	2302	2328																																																																																																																															
25	2110	2208	2274																																																																																																																															
35	1876	2053	2133																																																																																																																															
45	1534	1730	1757																																																																																																																															
55	866	1020	973																																																																																																																															
65	474	540	679																																																																																																																															
75	260	310	453																																																																																																																															
85	68	184	322																																																																																																																															
95	0	134	266																																																																																																																															
105	1	137	205																																																																																																																															
115	4	94	129																																																																																																																															
125	8	60	78																																																																																																																															
135	10	45	60																																																																																																																															
145	9	34	47																																																																																																																															
155	9	22	33																																																																																																																															
165	8	12	17																																																																																																																															
175	8	7	9																																																																																																																															
Degrees	Lumens	% Lamp	% Luminaire																																																																																																																															
0-30	1890	21.7	27.2																																																																																																																															
0-40	3161	36.3	45.5																																																																																																																															
0-60	5356	61.6	77.2																																																																																																																															
0-90	6478	74.5	93.3																																																																																																																															
0-180	6941	79.8	100.00																																																																																																																															
Angle	End	45°	Cross																																																																																																																															
45	4592	4898	4718																																																																																																																															
55	3196	3479	3085																																																																																																																															
65	2374	2408	2729																																																																																																																															
75	2126	2088	2594																																																																																																																															
85	1652	2699	3383																																																																																																																															
Coefficients of Utilization EFFECTIVE FLOOR CAVITY REFLECTANCE 20 PER (pfc=0.20)																																																																																																																																		
pcc	80			70			50																																																																																																																											
pw	70	50	30	70	50	30	50	30																																																																																																																										
RCR																																																																																																																																		
0	93	93	93	91	91	91	85	85																																																																																																																										
1	85	81	79	82	80	77	75	72																																																																																																																										
2	78	71	67	76	69	65	66	61																																																																																																																										
3	71	64	56	68	61	56	58	54																																																																																																																										
4	66	56	50	64	55	48	53	46																																																																																																																										
5	60	51	44	58	50	42	46	41																																																																																																																										
6	56	46	39	54	45	38	42	36																																																																																																																										
7	52	41	34	50	40	34	39	33																																																																																																																										
8	47	38	30	46	36	30	35	29																																																																																																																										
9	45	34	28	44	34	28	33	27																																																																																																																										
10	41	32	26	40	32	26	29	25																																																																																																																										



Some luminaires use fluorescent or high intensity discharge (HID) lamps that contain small amounts of mercury. Such lamps are labeled, "Contain Mercury" and/or the symbol "HG". Lamps that contain mercury must be disposed of in accordance with local requirements. Information regarding lamp recycling and disposal can be found at www.lamprecycle.org



© 2013 Koninklijke Philips Electronics N.V. All rights reserved. Specifications are subject to change without notice.

Philips Lighting Company
 200 Franklin Square Drive
 Somerset, NJ 08873
 Phone: 855-486-2216

Philips Lighting Company
 281 Hillmount Road
 Markham ON, Canada L6C 2S3
 Phone: 800-668-9008