

Day-Brite

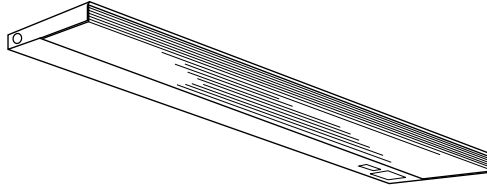
CFI

by  Signify

Linear

5UC specification
undercabinet

T5



Project: _____
 Location: _____
 Cat.No: _____
 Type: _____
 Lamps: _____ Qty: _____
 Notes: _____

Day-Brite / CFI 5UC specification undercabinet is a very shallow specification grade undercabinet T5 luminaire with electronic ballast.

Ordering guide

Example: 5UC128W-UNV

Lamp Type	Family	No. of Lamps	Lamp Watts/ Luminaire Length	Lens	Voltage	Options
<input type="text" value="5"/>	<input type="text" value="UC"/>	<input type="text" value="1"/>		—	—	
5 T5	UC Undercabinet	1	14 14WT5 (22-3/4") 21 21WT5 (34-1/2") 28 28WT5 (46-1/4")	W White D Dual (clear bottom with translucent front)	UNV Universal voltage 120/277V 120 120V 277 277V 347 347V	CO Ground convenience outlet (120V only) GLR Fusing, fast blow RS Rocker switch (120V only) LPT830 80+ CRI, 3000K lamp (in place of standard 3500K lamp) LPT841 80+ CRI, 4100K lamp (in place of standard 3500K lamp)



5UC Specification undercabinet

T5

Construction/Finish

- Specification grade undercabinet light fixture.
- All metal parts painted after fabrication with white polyester paint finish.
- Lens removable without tools for easy maintenance and cleaning.
- All electrical components mounted on an easily removable service tray.
- Low profile (only 1-1/8" deep) provides neat, trim appearance.

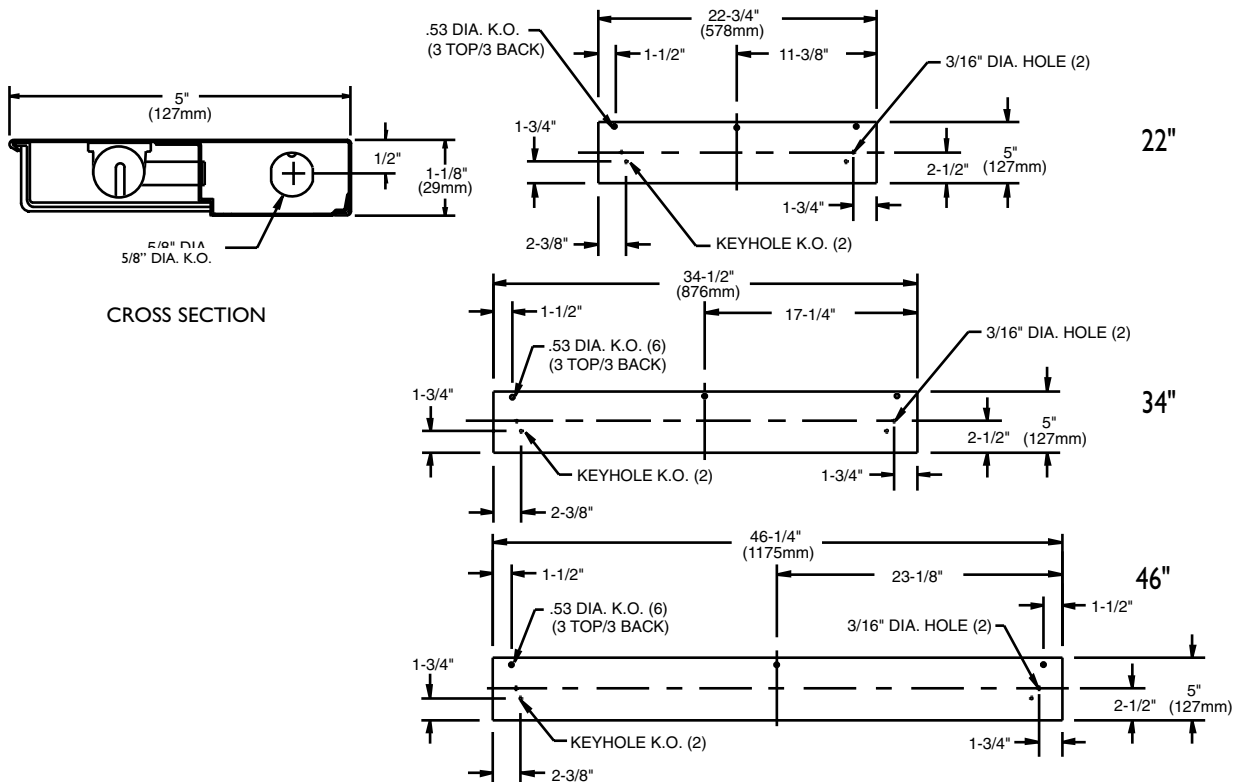
Electrical

- cULus listed.
- Electronic ballast is standard.
- T5 triphosphor (835) lamp is supplied as standard. Other color temperatures are optional.
- Optional switch or grounded convenience outlet available on 120V models only.

Enclosure

- Choice of 100% acrylic lens:
 - White
 - Dual (clear bottom with translucent front)
- Linear prisms hide the lamp image and uniformly distribute the light output.

Dimensions



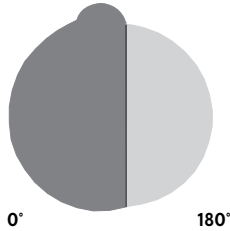
5UC Specification undercabinet

T5

Photometry

5UC specification undercabinet T5, white lens Efficiency – 70.8%

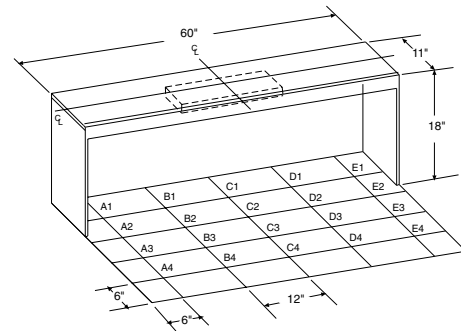
Catalog No.	5UC128W
Test No.	17843
S/MH	1.5
Lamp Type	F28T5
Ballast Factor	88
Input Watts	29



INITIAL FOOTCANDLES CORRESPOND TO TABLE 1.0
4FT-T5 W/WHITE LENS

	A	B	C	D	E
1	83	157	177	153	80
2	71	129	144	125	68
3	50	84	95	83	47
4	34	51	57	50	31

TABLE 1.0



Lumen Summary

Angle	Front 0°		Back 180°		0°-360°		%Luminaire
	Lumens	%Lamp	Lumens	%Lamp	Lumens	%Lamp	
(0-30)	234	8.1	216	7.4	450	15.5	21.9
(0-40)	394	13.6	351	12.1	745	25.7	36.3
(0-60)	742	25.6	614	21.2	1356	46.7	66.1
(0-90)	1082	37.3	767	26.4	1849	63.7	90.1
(90-180)	199	6.9	4	.1	204	7.0	9.9
(0-180)	1281	44.2	771	26.6	2052	70.8	100.0



Some luminaires use fluorescent or high intensity discharge (HID) lamps that contain small amounts of mercury. Such lamps are labeled, "Contain Mercury" and/or the symbol "HG". Lamps that contain mercury must be disposed of in accordance with local requirements. Information regarding lamp recycling and disposal can be found at www.lamprecycle.org

