

Day-Brite

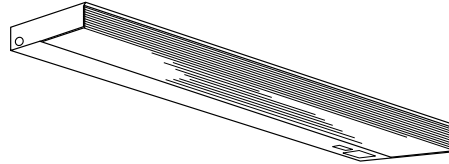
CFI

by  Signify

Linear

8UC specification
undercabinet

T8



Project: _____
 Location: _____
 Cat.No: _____
 Type: _____
 Lamps: _____ Qty: _____
 Notes: _____

Day-Brite / CFI 8UC specification undercabinet is a specification grade T8 luminaire with electronic ballast.

Ordering guide

Example: 8UC132D-120-EB

Lamp Type	Family	No. of Lamps	Lamp Watts/ Luminaire Length	Lens	Voltage	Options
<input type="text" value="8"/>	<input type="text" value="UC"/>	<input type="text" value="1"/>		-	-	
8 T8	UC Undercabinet	1	17 17WT8 (24") 25 25WT8 (36") 32 32WT8 (48")	W White D Dual (clear bottom with translucent front)	UNV Universal voltage 120/277V 120 120V 277 277V 347 347V	CO Ground convenience outlet (120V only) GLR Fusing, fast blow RS Rocker switch (120V only) EBDX Mark 10 phase dimmable (not available in 347V) EB10R Electronic ballast, program rapid start, <10% THD (in place of standard instant start ballast) LPT830 80+ CRI, 3000K lamp (in place of standard 3500K lamp) LPT841 80+ CRI, 4100K lamp (in place of standard 3500K lamp)

Replacement Lenses (order separately)

Lens cat #	Product
• 8UC17WL	8UC117W
• 8UC17DL	8UC117D
• 8UC25WL	8UC125W
• 8UC25DL	8UC125D
• 8UC32WL	8UC132W
• 8UC32DL	8UC132D



8UC Specification undercabinet

T8

Construction/Finish

- Specification grade undercabinet luminaire.
- All metal parts painted after fabrication with white polyester paint finish.
- Lens removable without tools for easy maintenance and cleaning.
- All electrical components mounted on an easily removable service tray.

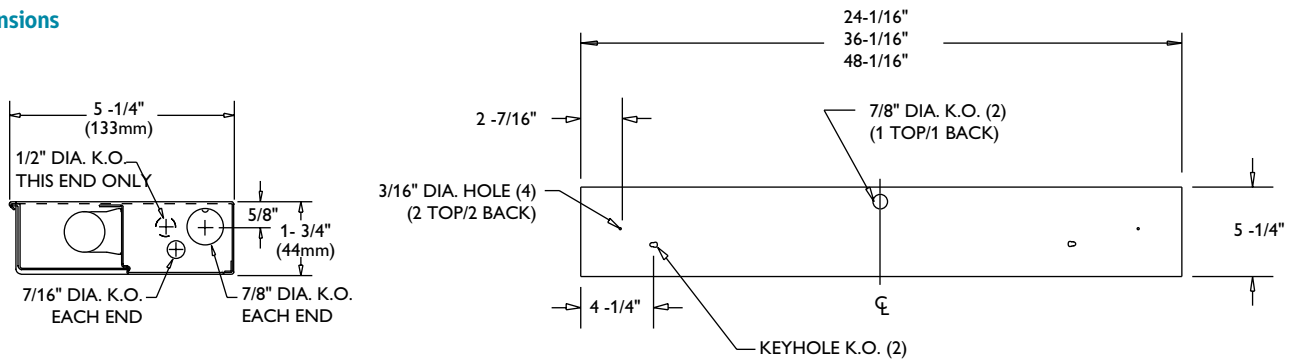
Electrical

- cULus listed.
- Electronic high power factor ballast is standard.
- T8 triphosphor 3500K lamp is supplied as standard.
- Optional switch or grounded convenience outlet.

Enclosure

- Choice of 100% acrylic lens: White or Dual (clear bottom w/translucent front).
- Linear prisms hide the lamp image and uniformly distribute the light output.

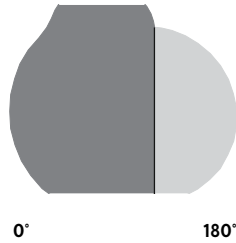
Dimensions



Photometry

8UC specification undercabinet T8, White Lens Efficiency – 68.1%

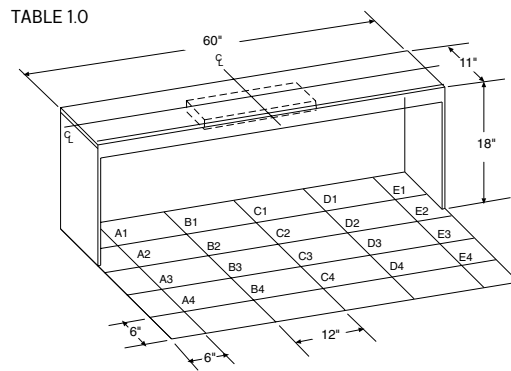
Catalog No.	8UC132-W-1/1-EB
Test No.	17839
S/MH	17
Lamp Type	32WT8
Ballast Factor	85
Input Watts	29



INITIAL FOOTCANDLES CORRESPOND TO TABLE 1.0
4FT-T8 W/WHITE LENS

	A	B	C	D	E
1	65	116	129	114	61
2	59	100	113	98	55
3	43	68	77	68	40
4	30	44	49	43	27

TABLE 1.0



Lumen Summary

Angle	Front 0°		Back 180°		0°-360°		%Luminaire
	Lumens	%Lamp	Lumens	%Lamp	Lumens	%Lamp	
0-30	190	6.6	171	5.9	361	12.5	18.3
0-40	325	11.2	280	9.7	605	20.9	30.6
0-60	632	21.8	496	17.1	1129	38.9	57.1
0-90	998	34.4	637	22.0	1634	56.4	82.7
0-180	1335	46.0	641	22.1	1976	68.1	100.0



Some luminaires use fluorescent or high intensity discharge (HID) lamps that contain small amounts of mercury. Such lamps are labeled, "Contain Mercury" and/or the symbol "HG". Lamps that contain mercury must be disposed of in accordance with local requirements. Information regarding lamp recycling and disposal can be found at www.lamprecycle.org

