

Day-Brite

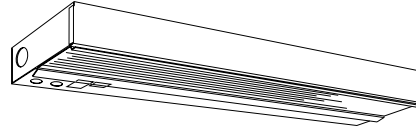
CFI

by  Signify

Linear

8UC specification
undercabinet

Solid front, T8



Project: _____
 Location: _____
 Cat.No: _____
 Type: _____
 Lamps: _____ Qty: _____
 Notes: _____

Day-Brite / CFI 8UC specification undercabinet is a specification grade T8 luminaire with electronic ballast.

Ordering guide

Example: 8UC132S-120-EB

Lamp Type	Family	No. of Lamps	Lamp Watts/ Luminaire Length	Lens	Voltage	Options
<input type="text" value="8"/>	<input type="text" value="UC"/>	<input type="text" value="1"/>		<input type="text" value="S"/> —	—	
8 T8	UC Undercabinet	1	17 17WT8 (24") 25 25WT8 (36") 32 32WT8 (48")	S Solid Front	UNV Universal voltage 120/277V 120 120V 277 277V 347 347V	CO Ground convenience outlet (120V only) GLR Fusing, fast blow RS Rocker switch (120V only) EBDX Mark 10 phase dimmable (not available in 347V) EB1OR Electronic ballast, program rapid start, <10% THD (in place of standard instant start ballast) LPT830 80+ CRI, 3000K lamp (in place of standard 3500K lamp) LPT841 80+ CRI, 4100K lamp (in place of standard 3500K lamp)

Replacement Lenses (order separately)

Lens cat #	Product
• 8UC17SL	8UC17S
• 8UC25SL	8UC125S
• 8UC32SL	8UC132S



8UC Specification undercabinet

Solid front, T8

Construction/Finish

- Specification grade undercabinet luminaire.
- All metal parts painted after fabrication with white polyester paint finish.
- Lens removable without tools for easy maintenance and cleaning.
- All electrical components mounted on an easily removable service tray.

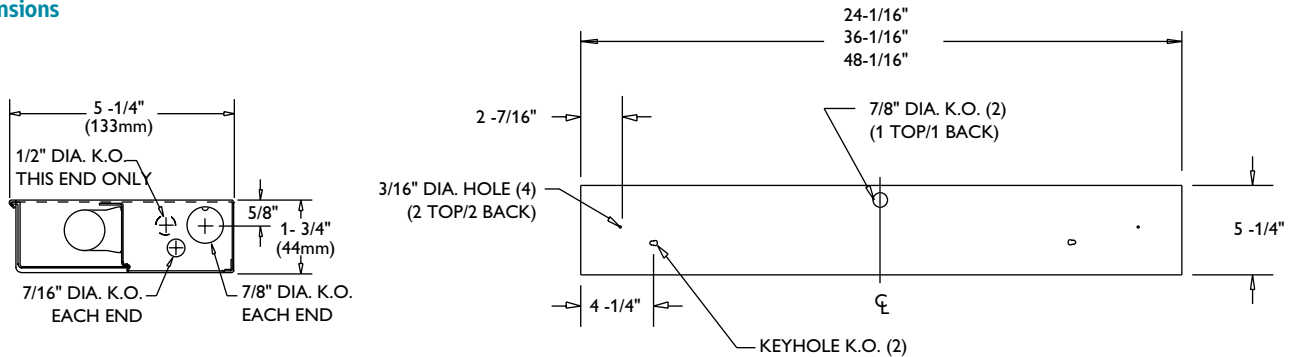
Electrical

- cULus listed.
- Electronic high power factor ballast is standard.
- T8 triphosphor 3500K lamp is supplied as standard.
- Optional switch or grounded convenience outlet.

Enclosure

- 100% acrylic lens.
- Linear prisms hide the lamp image and uniformly distribute the light output.

Dimensions



Photometry

8UC specification undercabinet, solid front, T8 Efficiency – 68.1%

Catalog No.	8UC132S
Test No.	17849
S/MH	1.2
Lamp Type	32WT8
Ballast Factor	85
Input Watts	29

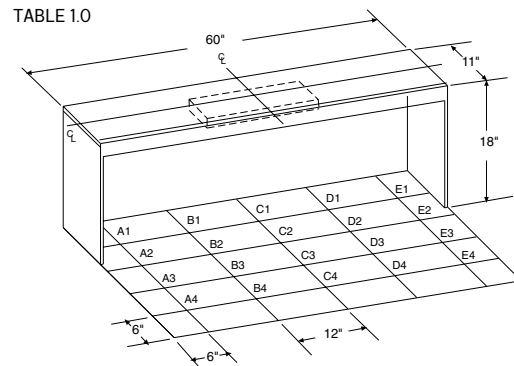
Lumen Summary

Angle	Lumens	%Lamp	% Luminaire
0-30	361	12.5	18.3
0-40	605	20.9	30.6
0-60	1129	38.9	57.1
0-90	1634	56.4	82.7
0-180	1976	68.1	100.0

INITIAL FOOTCANDLES CORRESPOND TO TABLE 1.0
4FT-T8 W/ SOLID FRONT

	A	B	C	D	E
1	113	212	242	210	109
2	82	153	173	154	82
3	38	65	76	69	37
4	16	24	27	24	15

TABLE 1.0



Some luminaires use fluorescent or high intensity discharge (HID) lamps that contain small amounts of mercury. Such lamps are labeled, "Contain Mercury" and/or the symbol "HG". Lamps that contain mercury must be disposed of in accordance with local requirements. Information regarding lamp recycling and disposal can be found at www.lamprecycle.org

