

Day-Brite

CFI

by Signify

Recessed

Arioso acrylic 2x2

T5, TT5, or T8



Project: _____

Location: _____

Cat.No: _____

Type: _____

Lamps: _____ Qty: _____

Notes: _____

The Day-Brite / CFI Arioso recessed acrylic features a white opal acrylic diffuser and contoured seamless reflectors. Arioso acrylic strips Arioso down to its purest form, where only light and shape are displayed. With these clean crisp lines and soft illumination, this luminaire emulates the qualities of natural lighting.

Ordering guide

Example: 2AVG217-ACR-UNV-1/2-EBHE-LPT835HL

Width	Family	Ceiling Type	No. of Lamps (not included)	Lamp Type	Shielding	Voltage	Options
2	AV	G		—	ACR —	—	
2 2'	AV Arioso recessed	G Grid	1 (CF only) 2 3	14 14WT5 (22") 17 17WT8 (24") CF40 40WTT5 (24")	ACR White opal acrylic diffuser	120 277 347 UNV Universal Voltage 120-277V	1/1 One 1-lamp ballast 1/2 One 2-lamp ballast 1/3 One 3-lamp ballast 1/21 2-lamp & 1-lamp ballast EB Electronic ballast, <10% THD, std. ballast factor EB10I CF40 electronic ballast, instant start, <10% THD EB10R T8 electronic ballast, program rapid start, <10% THD EBHE T8 electronic ballast, high efficiency, std. ballast factor EBLHE T8 electronic ballast, high efficiency, low ballast factor EBHHE T8 electronic ballast, high efficiency, high ballast factor EBSD T8 electronic step dimming ballast, .88 ballast factor EBD7 Advance Mark 7 dimming ballast, 0-10V (low voltage) control EBDX Advance Mark 10 dimming ballast, phase control EBD Electronic dimming ballast, customer specified E1 B100 emerg. ballast, T8, 350-450 lumens, 120/277V E1CAN B100-CAN emerg. ballast, Canada market, T8, 350-450 lumens, 120/347V E7 B60 emerg. ballast, T8, 600-700 lumens, 120/277V E5 B50 emerg. ballast, U.S. or Canada market, T8 or CF, 1100-1400 lumens, UNV E5CAN B50-CAN emerg. ballast, Canada market, T8, 1100-1400 lumens, 120/347V ESST B50ST emerg. ballast w/self test, T8, 1100-1400 lumens, UNV E7LP LP550 emerg. ballast T5/T5HO, 430-700 lumens, 120/277V E6LP LP600 emerg. ballast U.S. or Canada market, T5/T5HO, 750-1325 lumens, 120/277V F1 3/8" flex 3 wire, 18 gauge 6' F2 3/8" flex 4 wire, 18 gauge 6' F2/5W 3/8" flex, 5 wire 18 gauge 6' GLR Fusing, fast blow LPT830 Installed T8/T5/T5HO lamps, 80+ CRI, 3000K LPT835 Installed T8/T5/T5HO lamps, 80+ CRI, 3500K LPT841 Installed T8/T5/T5HO lamps, 80+ CRI, 4100K LPT830HL Installed T8 high lumen lamps, 80+ CRI, 3000K LPT835HL Installed T8 high lumen lamps, 80+ CRI, 3500K LPT841HL Installed T8 high lumen lamps, 80+ CRI, 4100K CHIC Chicago plenum rated

Accessories (order separately)

- AVHD Hold down clips
- AV-DC2 Debris cover 2'x2'
- AV-GC2 Germ cover 2'x2'
- FMA22 2'x2' "F" mounting frame for NEMA "F" mounting



2AVG Arioso recessed acrylic 2x2

T5, TT5 or T8

Application

- Architectural recessed direct/indirect lighting for glare-free illumination.
- Suitable for grid inverted T (NEMA "G") ceilings. Flange type ceilings (NEMA "F") require independently mounted flange kits (FMA).
- Fully recessed mounting, suitable for row mounting.

Construction/Finish

- Top reflector and end panels are formed together with no gaps.
- No visible welding, screws, latches, springs, hooks, rivets or plastic supports.
- Soft white baked enamel finish.
- Easy ballast access through lamp compartment.
- Optional hold down clips available (order separately: cat # AVHD).

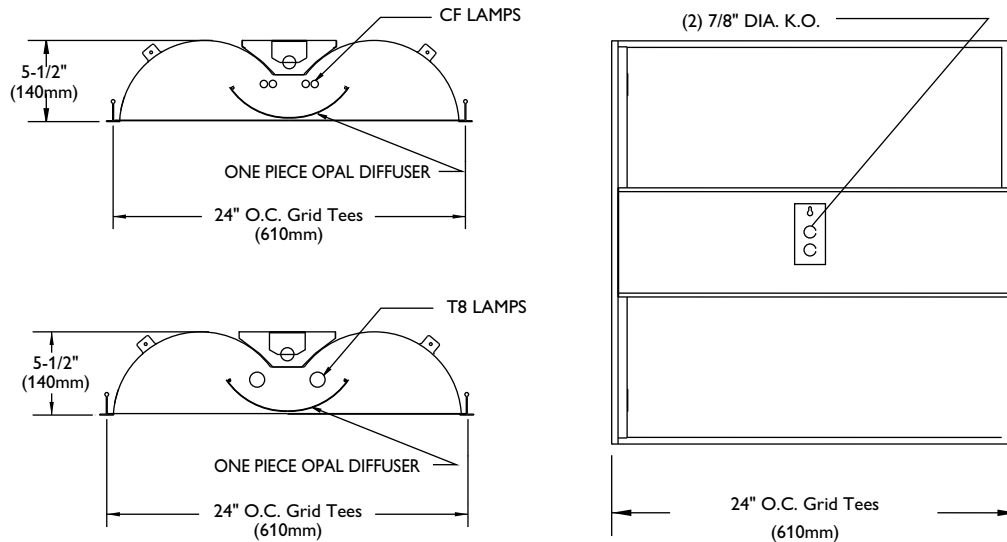
Electrical

- cULus listed for damp locations.
- Self-contained fluorescent emergency power pack can be incorporated.

Enclosure

- White opal acrylic diffuser provides soft awareness of light source and balances between reflected and direct light.
- Swing down lamp shield for easy relamping.

Dimensions



Photometry

Arioso Recessed Acrylic 2x2 2 Lamp CF40

Catalog No.	2AVG2CF40-ACR-1/2-EB
Test No.	26738
S/MH	1.3
Lamp Type	40WTT5
Lumens/Lamp	3150
Ballast Factor	0.88
Input Watts	67

Comparative yearly lighting energy cost per 1000 lumens – **\$3.38** based on 3000 hrs. and \$.08 pwr KWH.

The photometric results were obtained in the Day-Brite laboratory which is NVLAP accredited by the National Institute of Standards and Technology.

Candlepower

Angle	End	45	Cross
0	1769	1769	1769
5	1761	1758	1768
10	1738	1738	1751
15	1700	1704	1721
20	1645	1658	1681
25	1576	1598	1627
30	1498	1527	1560
35	1406	1445	1479
40	1298	1343	1387
45	1180	1236	1289
50	1059	1123	1177
55	923	995	1060
60	785	867	933
65	642	733	787
70	493	584	608
75	349	421	452
80	209	270	298
85	86	117	126

Efficiency – 85.9%

LER – 71

TER – 61

Light Distribution

Degrees	Lumens	% Lamp	% Luminaire
0-30	1387	22.0	25.6
0-40	2288	36.3	42.3
0-60	4132	65.6	76.4
0-90	5407	85.8	100.0

Average Luminance

Angle	End	45°	Cross
45	4491	4704	4905
55	4330	4668	4973
65	4088	4667	5011
75	3629	4377	4700
85	2655	3612	3890

Coefficients of Utilization

EFFECTIVE FLOOR CAVITY REFLECTANCE 20 PER (pfc=0.20)

pcc	80			70			50		
	pw	70	50	30	70	50	30	50	30
RCR									
0		102	102	102	100	100	100	94	94
1		93	89	84	90	86	82	82	80
2		83	77	70	81	75	68	71	67
3		76	67	59	73	66	58	63	56
4		69	58	51	68	57	51	56	50
5		64	53	45	61	52	44	50	42
6		58	46	40	56	46	39	45	38
7		55	42	34	53	41	34	40	34
8		51	39	32	50	38	30	36	30
9		47	35	28	46	34	28	34	28
10		45	33	26	42	33	26	32	26

2AVG Arioso recessed acrylic 2x2

T5, TT5 or T8

Photometry

Arioso Recessed Acrylic 2x2 3 Lamp T8

Efficiency – 73.0%

LER – 51

TER – 44

		Candlepower				Light Distribution				Average Luminance			
		Angle	End	45	Cross	Degrees	Lumens	% Lamp	% Luminaire	Angle	End	45'	Cross
Catalog No.	2AVG317-ACR-1/3-EB					0-30	745	18.7	25.7	45	2417	2535	2653
Test No.	26720	0	950	950	950	0-40	1230	30.9	42.4	55	2322	2515	2707
S/MH	1.3	5	946	946	948	0-60	2222	55.9	76.6	65	2171	2490	2719
Lamp Type	F17T8	10	932	935	938	0-90	2902	73.0	100.0	75	1913	2329	2558
Lumens/Lamp	1325	15	913	917	922					85	1359	1791	1791
Ballast Factor	0.88	20	883	892	900								
Input Watts	50	25	847	860	874								
		30	804	819	839								
		35	754	775	798								
		40	697	724	751								
		45	635	666	697								
		50	569	604	639								
		55	495	536	577								
		60	419	466	508								
		65	341	391	427								
		70	262	312	329								
		75	184	224	246								
		80	106	143	156								
		85	44	58	58								

Coefficients of Utilization									
EFFECTIVE FLOOR CAVITY REFLECTANCE 20 PER (pfc=0.20)									
pcc	80			70			50		
pw	70	50	30	70	50	30	50	30	
RCR									
0	86	86	86	84	84	84	81	81	
1	79	75	71	77	73	70	70	68	
2	71	65	59	69	64	58	60	56	
3	65	56	51	63	56	50	54	48	
4	58	50	44	57	48	42	47	41	
5	55	45	38	53	44	38	42	36	
6	50	40	34	48	40	33	38	33	
7	46	36	29	45	35	29	34	28	
8	42	33	27	41	33	27	32	26	
9	40	30	23	39	29	23	28	23	
10	38	28	22	36	28	22	27	22	

Comparative yearly lighting energy cost per 1000 lumens – **\$4.71** based on 3000 hrs. and \$.08 pwr KWH.

The photometric results were obtained in the Day-Brite laboratory which is NVLAP accredited by the National Institute of Standards and Technology.



Some luminaires use fluorescent or high intensity discharge (HID) lamps that contain small amounts of mercury. Such lamps are labeled, "Contain Mercury" and/or the symbol "HG". Lamps that contain mercury must be disposed of in accordance with local requirements. Information regarding lamp recycling and disposal can be found at www.lamprecycle.org

