

Day-Brite

CFI

by  Signify

Recessed

Arioso louver perf 2x2

T5, T5HO, TT5, or T8



Project: _____

Location: _____

Cat.No: _____

Type: _____

Lamps: _____ Qty: _____

Notes: _____

The Day-Brite / CFI Arioso recessed louver perf begins with the clean lines of the standard Arioso and adds longitudinal shielding and a larger downlight component. Through the use of louvers and stylish details, this luminaire creates a dynamic space without distracting glare, contrast, or shadows. It balances quality uniform illumination with a larger direct component, making it ideal for more active spaces such as conference rooms, break rooms, lobbies, classrooms, etc.

Ordering guide

Example: 2AVG217-LMWS-UNV-1/2-EBHHE-LPT835HL

Width	Family	Ceiling Type	No. of Lamps (not included)	Lamp Type	Shielding	Voltage	Options
2	AV	G		—	LMWS —	—	
2 2'	AV Arioso recessed	G Grid	2 3 (except CF55)	14 14WT5 (22") 17 17WT8 (24") 24HO 24WT5HO (22") CF40 40WTT5 (24") CF50 50WTT5 (24") CF55 55WTT5 (24")	LMWS Perforated basket with solid louver blades, matte white	120 277 347 UNV Universal Voltage 120-277V	1/2 One 2-lamp ballast 1/3 One 3-lamp ballast 1/21 2-lamp & 1-lamp ballast EB Electronic ballast, <10% THD, std. ballast factor EB10I CF40 electronic ballast, instant start, <10% THD EB10R T8 electronic ballast, program rapid start, <10% THD EBHE T8 electronic ballast, high efficiency, std. ballast factor EBLHE T8 electronic ballast, high efficiency, low ballast factor EBHHE T8 electronic ballast, high efficiency, high ballast factor EBSD T8 electronic step dimming ballast, .88 ballast factor EBD7 Advance Mark 7 dimming ballast, 0-10V (low voltage) control EBDX Advance Mark 10 dimming ballast, phase control EBD Electronic dimming ballast, customer specified E1 B100 emerg. ballast, T8, 350-450 lumens, 120/277V E1CAN B100-CAN emerg. ballast, Canada market, T8, 350-450 lumens, 120/347V E7 B60 emerg. ballast, T8, 600-700 lumens, 120/277V E5 B50 emerg. ballast, U.S. or Canada market, T8 or CF, 1100-1400 lumens, UNV ESCAN B50-CAN emerg. ballast, Canada market, T8, 1100-1400 lumens, 120/347V E5ST B50ST emerg. ballast w/self test, T8, 1100-1400 lumens, UNV E7LP LP550 emerg. ballast T5/T5HO, 430-700 lumens, 120/277V E6LP LP600 emerg. ballast U.S. or Canada market, T5/T5HO, 750-1325 lumens, 120/277V F1 3/8" flex 3 wire, 18 gauge 6' F2 3/8" flex 4 wire, 18 gauge 6' F2/5W 3/8" flex, 5 wire 18 gauge 6' GLR Fusing, fast blow LPT830 Installed T8/T5/T5HO lamps, 80+ CRI, 3000K LPT835 Installed T8/T5/T5HO lamps, 80+ CRI, 3500K LPT841 Installed T8/T5/T5HO lamps, 80+ CRI, 4100K LPT830HL Installed T8 high lumen lamps, 80+ CRI, 3000K LPT835HL Installed T8 high lumen lamps, 80+ CRI, 3500K LPT841HL Installed T8 high lumen lamps, 80+ CRI, 4100K CHIC Chicago plenum rated

Accessories (order separately)

- AVHD Hold down clips
- AV-DC2 Debris cover 2'x2'
- AV-GC2 Germ cover 2'x2'
- FMA22 2'x2' "F" mounting frame for NEMA "F" mounting



2AVG Arioso recessed louver perf 2x2

T5, T5HO, TT5 or T8

Application

- Architectural recessed direct/indirect lighting for glare-free illumination.
- Suitable for grid inverted T (NEMA "G") ceilings. Flange type ceilings (NEMA "F") require independently mounted flange kits (FMA).
- Fully recessed mounting, suitable for row mounting.

Construction/Finish

- Top reflector and end panels are formed together with no gaps.
- No visible welding, screws, latches, springs, hooks, rivets or plastic supports.
- Soft white baked enamel finish.
- Easy ballast access through lamp compartment.
- Optional hold down clips available (order separately: cat # AVHD).

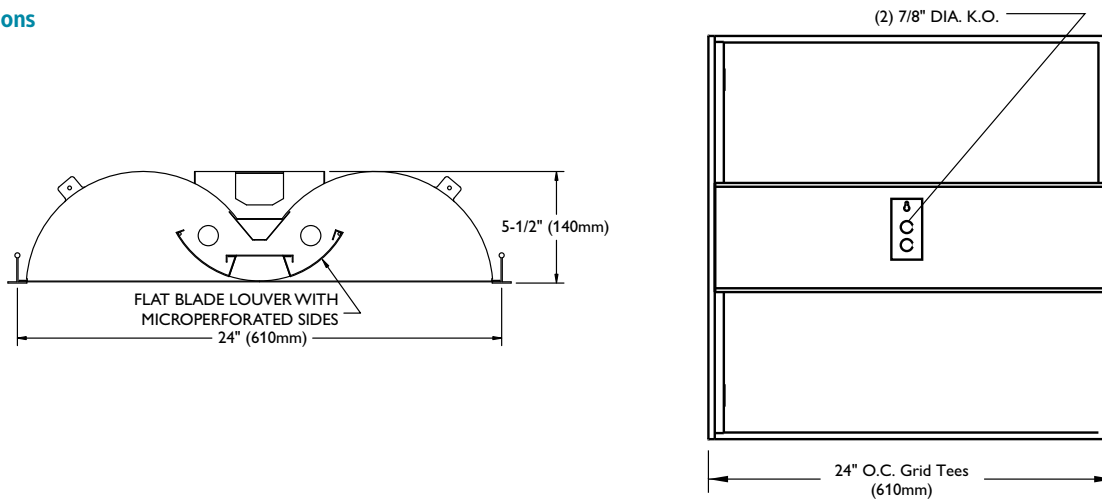
Electrical

- cULus listed for damp locations.
- Self-contained fluorescent emergency power pack can be incorporated.

Enclosure

- Flat blade louver with white overlay and perforated curved side panels.
- Bottom of louver is curved to match lamp shield contour.
- Matte white perf. panels and white louver blades.
- Micro-perforated mesh lamp shield provides soft awareness of light source.
- Soft white overlay on inside of micro-perforated mesh conceals lamp image and balances between reflected and direct light.
- Swing down lamp shield for easy relamping.

Dimensions



2AVG Arioso recessed louver perf 2x2

T5, T5HO, TT5 or T8

Photometry

Arioso recessed louver perf 2x2 3 lamp CF40

Efficiency – 54.0%

LER – 44

TER – 38

Catalog No.	2AVG3CF40-LMWS-1/21-EB	Candlepower				Light Distribution				Average Luminance			
		Angle	End	45	Cross	Degrees	Lumens	% Lamp	% Luminaire	Angle	End	45°	Cross
Test No.	23576	0	1873	1873	1873	0-30	1433	15.2	28.1	45	4422	5108	5798
S/MH	1.3	5	1849	1851	1881	0-40	2337	24.7	45.8	55	3900	4861	5764
Lamp Type	40WTT5	10	1804	1815	1866	0-60	4094	43.3	80.2	65	3508	4564	5230
Lumens/Lamp	3150	15	1738	1766	1838	0-90	5103	54.0	100.0	75	3020	3471	3402
Ballast Factor	0.88	20	1655	1701	1799					85	2165	2302	2474
Input Watts	102	25	1555	1623	1744								
		30	1445	1535	1676								
		35	1322	1436	1597								
		40	1189	1323	1485								
		45	1044	1206	1369								
		50	896	1070	1243								
		55	747	931	1104								
		60	617	790	942								
		65	495	644	738								
		70	375	487	460								
		75	261	300	294								
		80	160	156	177								
		85	63	67	72								

Coefficients of Utilization									
EFFECTIVE FLOOR CAVITY REFLECTANCE 20 PER (pfc=0.20)									
pcc	80			70			50		
	70	50	30	70	50	30	50	30	
RCR									
0	64	64	64	63	63	63	59	59	
1	58	56	54	56	55	53	53	51	
2	54	48	46	52	47	45	46	42	
3	48	42	39	47	41	38	40	36	
4	45	38	34	44	38	33	35	32	
5	40	34	28	40	34	28	33	28	
6	38	30	26	36	29	26	28	25	
7	34	28	23	34	28	23	27	23	
8	33	26	20	32	25	20	23	20	
9	30	23	19	29	23	19	22	19	
10	28	22	17	28	20	17	20	17	

Comparative yearly lighting energy cost per 1000 lumens – **\$5.45** based on 3000 hrs. and \$.08 pwr KWH.

The photometric results were obtained in the Day-Brite laboratory which is NVLAP accredited by the National Institute of Standards and Technology.



Some luminaires use fluorescent or high intensity discharge (HID) lamps that contain small amounts of mercury. Such lamps are labeled, "Contain Mercury" and/or the symbol "HG". Lamps that contain mercury must be disposed of in accordance with local requirements. Information regarding lamp recycling and disposal can be found at www.lamprecycle.org

