

Day-Brite

CFI

by Signify

Recessed

Arioso side basket perf 2x4

T5, T5HO, or T8



Project: _____
 Location: _____
 Cat.No: _____
 Type: _____
 Lamps: _____ Qty: _____
 Notes: _____

The Day-Brite / CFI Arioso recessed side basket perf offers a distinctive approach with the emphasis on the overall integrated look of the ceiling rather than on the luminaire itself. Increasing the perceived volume of a space, this luminaire is ideal for lower ceilings and smaller spaces such as private offices and break out areas. It provides balanced illumination to work within any architectural style.

Ordering guide

Example: 2AVSG232-PMW-UNV-1/2-EBLHE-LPT835HL

Width	Family	Ceiling Type	No. of Lamps (not included)	Lamp Type	Shielding	Voltage	Options
2	AVS	G		—	PMW	—	
2 2'	AVS Arioso recessed side basket	G Grid	2 4	28 28WT5 (46") 32 32WT8 (48") 54HO 54WT5HO (46")	PMW Perforated metal w/ white overlay	120 277 347 UNV Universal Voltage 120-277V	1/2 One 2-lamp ballast 1/4 One 4-lamp ballast 2/2 Two 2-lamp ballasts EB Electronic ballast, <10% THD, std. ballast factor EB10R T8 electronic ballast, program rapid start, <10% THD EBHE T8 electronic ballast, high efficiency, std. ballast factor EBLHE T8 electronic ballast, high efficiency, low ballast factor EBHHE T8 electronic ballast, high efficiency, high ballast factor EBSD T8 electronic step dimming ballast, .88 ballast factor EBD7 Advance Mark 7 dimming ballast, 0-10V (low voltage) control EBDX Advance Mark 10 dimming ballast, phase control EBD Electronic dimming ballast, customer specified E1 B100 emerg. ballast, T8, 350-450 lumens, 120/277V E1CAN B100-CAN emerg. ballast, Canada market, T8, 350-450 lumens, 120/347V E7 B60 emerg. ballast, T8, 600-700 lumens, 120/277V E5 B50 emerg. ballast, U.S. or Canada market, T8, 1100-1400 lumens, UNV E5CAN B50-CAN emerg. ballast, Canada market, T8, 1100-1400 lumens, 120/347V ESST B50ST emerg. ballast w/self test, T8, 1100-1400 lumens, UNV E7LP LP550 emerg. ballast T5/T5HO, 430-700 lumens, 120/277V E6LP LP600 emerg. ballast U.S. or Canada market, T5/T5HO, 750-1325 lumens, 120/277V F1 3/8" flex 3 wire, 18 gauge 6' F2 3/8" flex 4 wire, 18 gauge 6' F2/5W 3/8" flex, 5 wire 18 gauge 6' GLR Fusing, fast blow LPT830 Installed T8/T5/T5HO lamps, 80+ CRI, 3000K LPT835 Installed T8/T5/T5HO lamps, 80+ CRI, 3500K LPT841 Installed T8/T5/T5HO lamps, 80+ CRI, 4100K LPT830HL Installed T8/T5 high lumen lamps, 80+ CRI, 3000K LPT835HL Installed T8/T5 high lumen lamps, 80+ CRI, 3500K LPT841HL Installed T8/T5 high lumen lamps, 80+ CRI, 4100K

Accessories (order separately)

- AVHD Hold down clips
- FMA24 2'x4' "F" mounting frame for NEMA "F" mounting



2AVSG Arioso recessed side basket perf 2x4

T5, T5HO or T8

Application

- Architectural recessed direct/indirect lighting for glare free illumination.
- Side-mounted perforated shields project light to reflector for indirect lighting.
- Suitable for grid inverted T (NEMA "G") ceilings. Flange type ceilings (NEMA "F") require independently mounted flange kits (FMA).
- Fully recessed mounting, suitable for row mounting.

Construction/Finish

- Top reflector and end panels are formed together with no gaps.
- No visible welding, screws, latches, springs, hooks, rivets or plastic supports.
- Soft white baked enamel finish.
- Easy ballast access through lamp compartment.
- Optional hold down clips available (order separately: cat # AVHD).

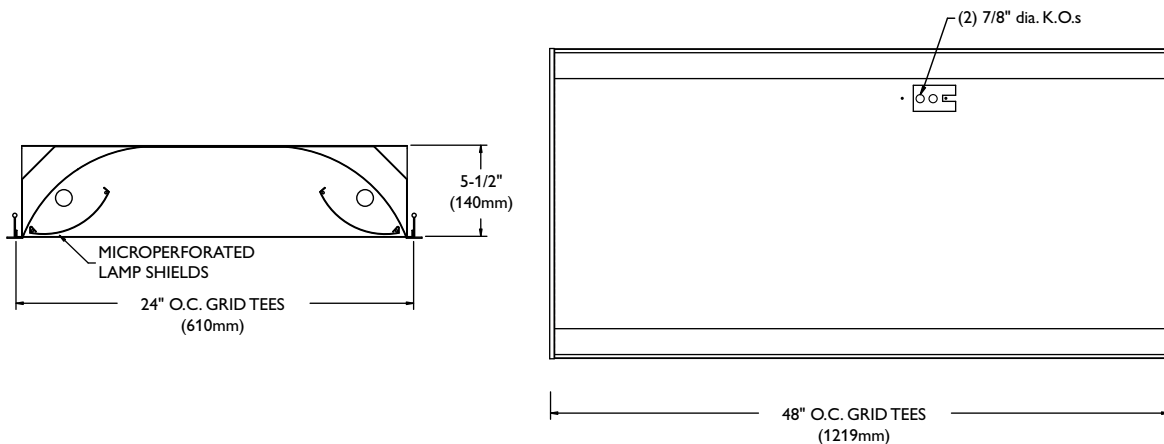
Electrical

- cULus listed for damp locations.
- Self-contained fluorescent emergency power pack can be incorporated.

Enclosure

- Dual micro-perforated lamp shields provide a soft awareness to lamp source.
- Soft white overlay on inside of micro-perforated mesh conceals lamp image and balances between reflected and direct light.
- Swing down lamp shields for easy relamping.

Dimensions



Some luminaires use fluorescent or high intensity discharge (HID) lamps that contain small amounts of mercury. Such lamps are labeled, "Contain Mercury" and/or the symbol "HG". Lamps that contain mercury must be disposed of in accordance with local requirements. Information regarding lamp recycling and disposal can be found at www.lamprecycle.org

2AVSG Arioso recessed side basket perf 2x4

T5, T5HO or T8

Photometry

Arioso recessed side basket perf 2x4 2 lamp T8

Efficiency – 56.3%

LER – 48

TER – 39

Catalog No.	2AVSG232-PMW-1/2-EB	Candlepower				Light Distribution				Average Luminance			
		Angle	End	45	Cross	Degrees	Lumens	% Lamp	% Luminaire	Angle	End	45°	Cross
Test No.	23590	0	939	939	939	0-30	742	13.0	23.1	45	1254	1352	1495
S/MH	1.3	5	940	935	931	0-40	1229	21.6	38.3	55	1190	1432	1714
Lamp Type	F32T8	10	928	926	926	0-60	2279	40.0	71.0	65	1121	1642	2132
Lumens/Lamp	2850	15	902	908	911	0-90	3208	56.3	100.0	75	1091	2072	2598
Ballast Factor	0.88	20	878	890	899					85	1042	1042	879
Input Watts	59	25	841	861	873								
		30	798	825	843								
		35	745	781	800								
		40	689	733	771								
		45	625	674	745								
		50	554	625	718								
		55	481	579	693								
		60	407	535	667								
		65	334	489	635								
		70	265	445	581								
		75	199	378	474								
		80	133	259	245								
		85	64	64	54								

Coefficients of Utilization									
EFFECTIVE FLOOR CAVITY REFLECTANCE 20 PER (pfc=0.20)									
pcc	80			70			50		
pw	70	50	30	70	50	30	50	30	
RCR									
0	67	67	67	65	65	65	63	63	
1	59	56	55	58	56	54	54	52	
2	54	48	45	53	47	44	46	42	
3	48	42	38	47	41	36	40	35	
4	45	36	32	42	36	32	34	30	
5	40	33	28	40	33	27	30	27	
6	38	29	23	36	28	23	28	23	
7	34	27	22	34	26	20	26	20	
8	32	23	19	32	23	19	23	19	
9	29	22	17	28	22	17	20	17	
10	28	20	16	28	20	16	20	16	

Comparative yearly lighting energy cost per 1000 lumens – **\$5.00** based on 3000 hrs. and \$.08 pwr KWH.

The photometric results were obtained in the Day-Brite laboratory which is NVLAP accredited by the National Institute of Standards and Technology.

