

Day-Brite

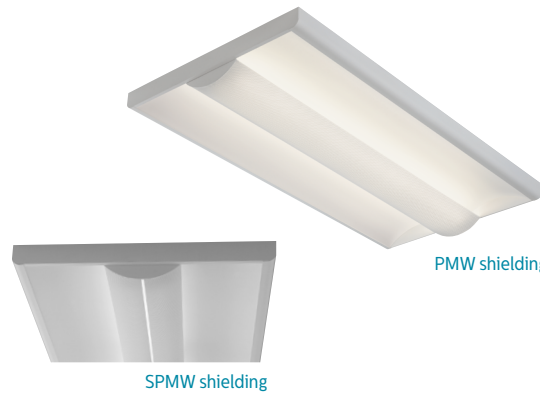
CFI

by  Signify

Surface

Ariosio surface perf 2x4

T5 or T5HO



Project: _____
 Location: _____
 Cat.No: _____
 Type: _____
 Lamps: _____ Qty: _____
 Notes: _____

The Day-Brite / CFI Ariosio surface perf incorporates all the features and benefits of the standard Ariosio into a surface luminaire. Whether surface mounting is due to construction constraints or a desire to create style and intimacy, this luminaire offers the ideal solution for ceiling mounting. Ariosio Surface continues the look and performance of the Ariosio family in a slim low profile beautifully contoured model.

Ordering guide

Example: 2SAVC228-PMW-UNV-1/2-EB95-LPT835HL

Width	Family	No. of Lamps (not included)	Lamp Type	Shielding	Voltage	Options
2	SAVC		—	—	—	
2 2'	SAVC Ariosio surface	2 3	28 28WT5 (46") 54HO 54WT5HO (46")	PMW Perforated metal w/ white overlay 2-piece perforated metal with white overlay SPMW	120 277 347 UNV Universal Voltage 120-277V	1/2 One 2-lamp ballast 1/3 One 3-lamp ballast 1/21 2-lamp & 1-lamp ballasts EB Electronic ballast, <10% THD, std. ballast factor EBD7 Advance Mark 7 dimming ballast, 0-10V (low voltage) control EBDX Advance Mark 10 dimming ballast, phase control EBD Electronic dimming ballast, customer specified E7LP LP550 emerg. ballast T5/T5HO, 430-700 lumens, 120/277V E6LP LP600 emerg. ballast U.S. or Canada market, T5/T5HO, 750-1325 lumens, 120/277V GLR Fusing, fast blow LPT830 Installed T5/T5HO lamps, 80+ CRI, 3000K LPT835 Installed T5/T5HO lamps, 80+ CRI, 3500K LPT841 Installed T5/T5HO lamps, 80+ CRI, 4100K LPT830HL Installed T5 high lumen lamps, 80+ CRI, 3000K LPT835HL Installed T5 high lumen lamps, 80+ CRI, 3500K LPT841HL Installed T5 high lumen lamps, 80+ CRI, 4100K



2SAVC Arioso surface perf 2x4

T5 or T5HO

Application

- Architectural surface mounted direct/indirect lighting for glare free illumination.
- For applications where plenum depth is limited.
- Easy installation – body mounts to ceiling, and frame snaps into place.
- Style matched to Arioso semi-recessed.

Construction/Finish

- No visible welding, screws, latches, springs, hooks, rivets or plastic supports.
- Soft white baked enamel finish.
- Easy ballast access through removable back reflector.
- Slim 2-1/4" housing provides the perception of a very low profile luminaire.

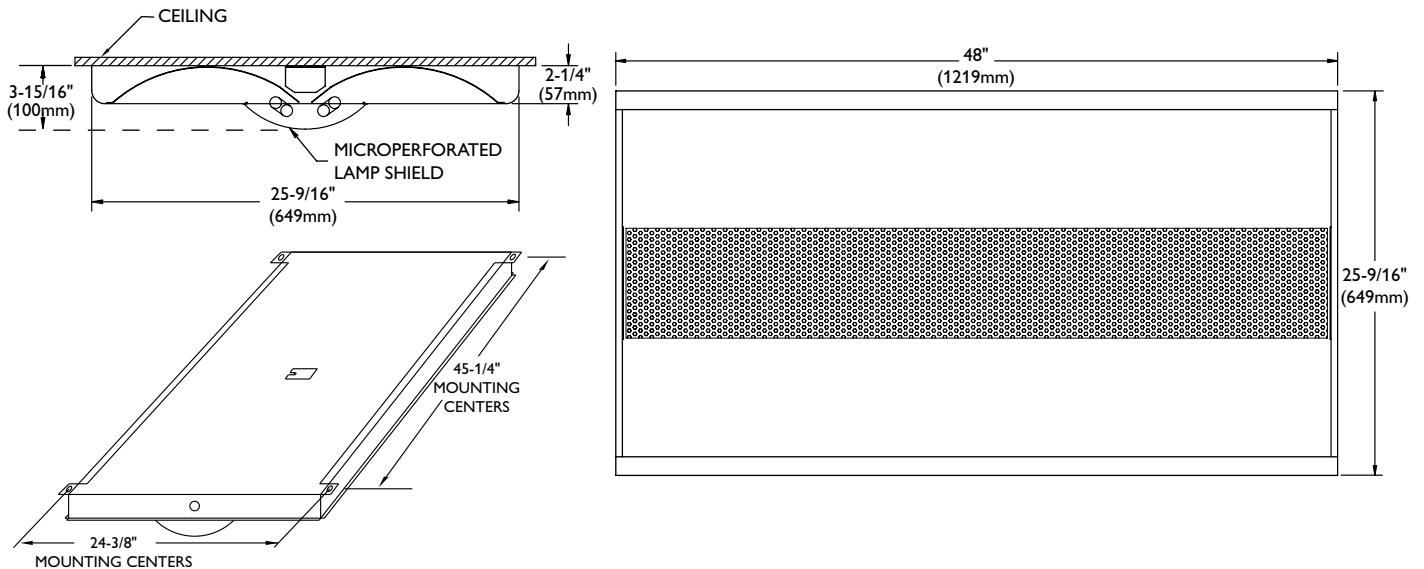
Electrical

- cULus listed for damp locations.
- Self-contained fluorescent emergency power pack can be incorporated.

Enclosure

- Choice of one-piece (PMW) or two-piece (SPMW) lamp shield configuration.
- Micro-perforated mesh lamp shield provides soft awareness of light source.
- Swing down lamp shield for easy relamping.
- Soft white overlay on inside of micro-perforated mesh conceals lamp image and balances reflected and direct light.

Dimensions



Some luminaires use fluorescent or high intensity discharge (HID) lamps that contain small amounts of mercury. Such lamps are labeled, "Contain Mercury" and/or the symbol "HG". Lamps that contain mercury must be disposed of in accordance with local requirements. Information regarding lamp recycling and disposal can be found at www.lamprecycle.org

2SAVC Arioso surface perf 2x4

T5 or T5HO

Photometry

Arioso surface perf (PMW) 2x4 4 lamp CF40

Efficiency – 66.0%

LER – 56

TER – 47

Catalog No.	2SAVC4CF40-PMW-2/2-EB	Candlepower				Light Distribution				Average Luminance																																																																																																																																																								
		Angle	End	45	Cross	Degrees	Lumens	% Lamp	% Luminaire	Angle	End	45'	Cross																																																																																																																																																					
Test No.	23877	0	2524	2524	2524	0-30	1979	15.7	23.7	45	3230	3551	3810																																																																																																																																																					
S/MH	1.3	5	2530	2514	2504	0-40	3263	25.9	39.2	55	2914	3587	4052																																																																																																																																																					
Lamp Type	40WTT5	10	2492	2484	2479	0-60	5904	46.9	70.8	65	2427	3807	4680																																																																																																																																																					
Lumens/Lamp	3150	15	2434	2439	2439	0-90	8331	66.1	99.9	75	1935	4807	6085																																																																																																																																																					
Ballast Factor	.88	20	2349	2372	2390	0-180	8335	66.2	100.0	85	1351	8514	11314																																																																																																																																																					
Input Watts	130	25	2241	2283	2317	Coefficients of Utilization EFFECTIVE FLOOR CAVITY REFLECTANCE 20 PER (pfc=0.20) <table border="1"> <thead> <tr> <th></th> <th colspan="3">80</th> <th colspan="3">70</th> <th colspan="3">50</th> </tr> <tr> <th>pcc</th> <td></td><td></td><td></td> <td></td><td></td><td></td> <td></td><td></td><td></td> </tr> <tr> <th>pw</th> <td>70</td><td>50</td><td>30</td> <td>70</td><td>50</td><td>30</td> <td>50</td><td>30</td><td></td> </tr> <tr> <th>RCR</th> <td></td><td></td><td></td> <td></td><td></td><td></td> <td></td><td></td><td></td> </tr> </thead> <tbody> <tr> <td>0</td> <td>79</td><td>79</td><td>79</td> <td>77</td><td>77</td><td>77</td> <td>72</td><td>72</td><td></td> </tr> <tr> <td>1</td> <td>69</td><td>67</td><td>63</td> <td>68</td><td>65</td><td>61</td> <td>61</td><td>59</td><td></td> </tr> <tr> <td>2</td> <td>63</td><td>56</td><td>52</td> <td>61</td><td>56</td><td>51</td> <td>54</td><td>50</td><td></td> </tr> <tr> <td>3</td> <td>57</td><td>50</td><td>44</td> <td>56</td><td>48</td><td>42</td> <td>46</td><td>41</td><td></td> </tr> <tr> <td>4</td> <td>53</td><td>44</td><td>38</td> <td>51</td><td>42</td><td>36</td> <td>40</td><td>35</td><td></td> </tr> <tr> <td>5</td> <td>47</td><td>39</td><td>33</td> <td>46</td><td>38</td><td>32</td> <td>36</td><td>32</td><td></td> </tr> <tr> <td>6</td> <td>44</td><td>34</td><td>28</td> <td>42</td><td>34</td><td>28</td> <td>33</td><td>28</td><td></td> </tr> <tr> <td>7</td> <td>40</td><td>32</td><td>26</td> <td>40</td><td>30</td><td>25</td> <td>29</td><td>25</td><td></td> </tr> <tr> <td>8</td> <td>38</td><td>28</td><td>23</td> <td>36</td><td>28</td><td>23</td> <td>28</td><td>23</td><td></td> </tr> <tr> <td>9</td> <td>35</td><td>27</td><td>20</td> <td>34</td><td>26</td><td>20</td> <td>25</td><td>20</td><td></td> </tr> <tr> <td>10</td> <td>34</td><td>25</td><td>19</td> <td>33</td><td>23</td><td>19</td> <td>23</td><td>19</td><td></td> </tr> </tbody> </table>								80			70			50			pcc										pw	70	50	30	70	50	30	50	30		RCR										0	79	79	79	77	77	77	72	72		1	69	67	63	68	65	61	61	59		2	63	56	52	61	56	51	54	50		3	57	50	44	56	48	42	46	41		4	53	44	38	51	42	36	40	35		5	47	39	33	46	38	32	36	32		6	44	34	28	42	34	28	33	28		7	40	32	26	40	30	25	29	25		8	38	28	23	36	28	23	28	23		9	35	27	20	34	26	20	25	20		10	34	25	19	33	23	19	23	19	
	80			70									50																																																																																																																																																					
pcc																																																																																																																																																																		
pw	70	50	30	70	50								30	50	30																																																																																																																																																			
RCR																																																																																																																																																																		
0	79	79	79	77	77								77	72	72																																																																																																																																																			
1	69	67	63	68	65								61	61	59																																																																																																																																																			
2	63	56	52	61	56								51	54	50																																																																																																																																																			
3	57	50	44	56	48								42	46	41																																																																																																																																																			
4	53	44	38	51	42								36	40	35																																																																																																																																																			
5	47	39	33	46	38	32	36	32																																																																																																																																																										
6	44	34	28	42	34	28	33	28																																																																																																																																																										
7	40	32	26	40	30	25	29	25																																																																																																																																																										
8	38	28	23	36	28	23	28	23																																																																																																																																																										
9	35	27	20	34	26	20	25	20																																																																																																																																																										
10	34	25	19	33	23	19	23	19																																																																																																																																																										
Comparative yearly lighting energy cost per 1000 lumens – \$4.29 based on 3000 hrs. and \$.08 pwr KWH.		30	216	2176	2233																																																																																																																																																													
The photometric results were obtained in the Day-Brite laboratory which is NVLAP accredited by the National Institute of Standards and Technology.		35	1966	2059	2131																																																																																																																																																													
		40	1798	1920	2020																																																																																																																																																													
		45	1610	1770	1899																																																																																																																																																													
		50	1407	1617	1770																																																																																																																																																													
		55	1178	1450	1638																																																																																																																																																													
		60	947	1291	1513																																																																																																																																																													
		65	723	1134	1394																																																																																																																																																													
		70	525	997	1280																																																																																																																																																													
		75	353	877	1110																																																																																																																																																													
		80	203	715	963																																																																																																																																																													
		85	83	523	695																																																																																																																																																													

