

Day-Brite

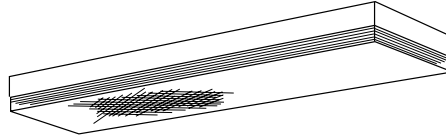
CFI

by  Signify

Industrial

DW straight side wraparound

Narrow, T5, T5HO, or T8



Project: _____
 Location: _____
 Cat.No: _____
 Type: _____
 Lamps: _____ Qty: _____
 Notes: _____

The Day-Brite / CFI DW straight side wraparound narrow is a specification grade luminaire with injection molded end caps.

Ordering guide

Example: **DWN232-UNV-1/2-EBHE**

Family	Width	No. of Lamps per Cross Section	Lamp Type	Voltage	Options
	<input type="text" value="N"/>	<input type="text" value="2"/>	—	—	
DW Straight side wrap TDW Tandem (8') model VDW Vandal resistant model VTDW Vandal resistant tandem model (8')	N Narrow	(not included) 2	28 28wT5 (46") 32 32wT8 (48") 54HO 54WT5HO (46")	UNV Universal voltage 120/277V 120 120V 277 277V 347 347V	1/2 One 2-lamp ballast 1/4 One 4-lamp ballast 2/2 Two 2-lamp ballasts EB Electronic ballast, <10% THD EB10R T8 electronic ballast, program rapid start, <10% THD EBHE T8 electronic ballast, high efficiency, std. ballast factor EBLHE T8 electronic ballast, high efficiency, low ballast factor EBHHE T8 electronic ballast, high efficiency, high ballast factor EBSD T8 electronic step dimming ballast, .88 ballast factor EBD7 Advance Mark 7 dimming ballast, 0-10V (low voltage) control EBDX Advance Mark 10 dimming ballast, phase control EBD Electronic dimming ballast, customer specified E1 B100 emerg. ballast, T8, 350-450 lumens, 120/277V E1CAN B100-CAN emerg. ballast, Canada market, T8, 350-450 lumens, 120/347V E7 B60 emerg. ballast, T8, 600-700 lumens, 120/277V E5 B50 emerg. ballast, U.S. or Canada market, T8, 1100-1400 lumens, UNV ESCAN B50-CAN emerg. ballast, Canada market, T8, 1100-1400 lumens, 120/347V ESST B50ST emerg. ballast w/self test, T8, 1100-1400 lumens, UNV E7LP LP550 emerg. ballast T5/T5HO, 430-700 lumens, 120/277V E6LP LP600 emerg. ballast U.S. or Canada market, T5/T5HO, 750-1325 lumens, 120/277V GLR Fusing, fast blow

See Section 1600-OA for Option Information.
 See Page 950-SS for Mounting Hardware.

Accessories (order separately)

- **CS-400** – Rigid Canopy
- **CS-500** – 42" Top Swivel Canopy
- **CS-12** – 12" Stem
- **CS-18** – 18" Stem
- **CS-24** – 24" Stem
- **CS-30** – 30" Stem
- **CS-36** – 36" Stem
- **CS-48** – 48" Stem



DWN Straight side wraparound, narrow

T5, T5HO, or T8

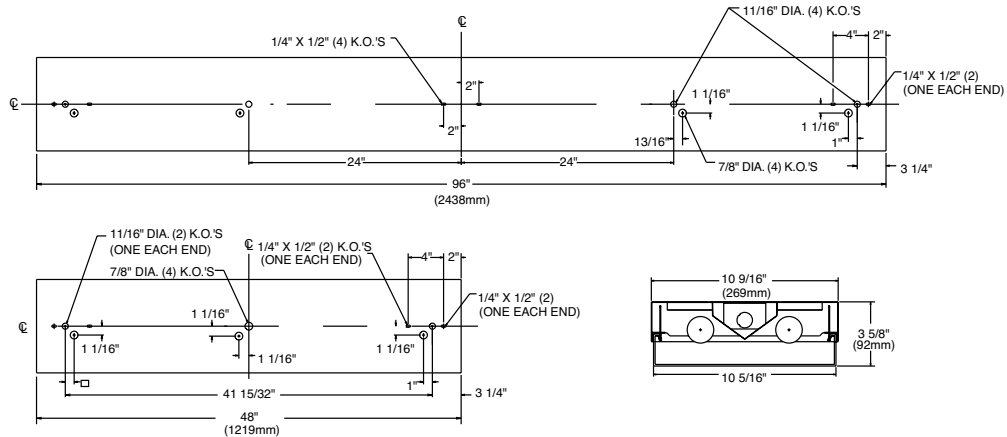
Construction/Finish

- Standard diffuser is flat bottom prismatic acrylic with linear side and end prisms.
- Optional high impact diffuser is made from 100% DR (high impact) acrylic.
- Diffuser end caps are injection molded acrylic.
- Diffuser hinges and latches from either side with 4 torsion springs.
- Housing is multi-stage phosphate treated for maximum corrosion resistance and finish coat is high reflectance baked white enamel.
- Multiple knockouts accommodate a variety of mounting methods.
- Heavy duty channel of code gauge die formed steel.
- For surface or stem mounting.

Electrical

- cULus listed for direct mounting to low density ceilings and damp locations.
- Lampholders snap into socket plates and may be individually replaced or rewired.
- Self-contained fluorescent emergency power packs can be incorporated.

Dimensions



Straight side wraparound DWN 2 Lamp T8

Efficiency – 79.1%

LER – FW-66

TER – 57

Catalog No.	DWN 232-1/2-EB	Candlepower				Light Distribution				Average Luminance				
		Angle	End	45	Cross	Degrees	Lumens	% Lamp	% Luminaire	Angle	End	45°	Cross	
Test No.	17040	0	1558	1558	1558	0-30	1257	21.7	27.4	45	4230	4190	3912	
S/MH	1.4	5	1563	1555	1551	0-60	2086	36.0	45.5	55	2894	2936	2685	
Lamp Type	F32T8	15	1511	1534	1548	0-60	3454	59.5	75.3	65	2338	2164	2344	
Lumens/Lamp	2900	25	1404	1472	1513	0-90	4266	73.6	93.0	75	2169	1888	2471	
Ballast Factor	.92	35	1246	1355	1375	90-180	320	5.5	7.0	85	2075	2020	3400	
Input Watts	64	45	1003	1082	1028	0-180	4586	79.1	100.0					
		55	564	644	603	Coefficients of Utilization								
		65	343	376	421	EFFECTIVE FLOOR CAVITY REFLECTANCE 20 PER (pfc=0.20)								
		75	204	232	319	pcc								
		85	80	138	254	pw								
		95	25	127	190	RCR								
		105	17	95	88	0	93	93	93	90	90	90	84	84
		115	11	45	60	1	84	81	77	81	78	75	73	70
		125	8	39	50	2	77	70	66	75	68	64	65	60
		135	5	28	37	3	70	63	56	68	60	55	57	53
		145	5	19	28	4	65	56	48	63	54	47	52	46
		155	6	12	18	5	59	50	42	57	48	41	46	40
		165	6	7	10	6	55	45	38	54	44	38	41	36
		175	6	5	5	7	51	40	34	50	40	34	38	33
						8	47	38	30	46	36	30	34	29
						9	45	34	28	42	34	28	32	27
						10	41	32	26	40	30	25	29	25



Some luminaires use fluorescent or high intensity discharge (HID) lamps that contain small amounts of mercury. Such lamps are labeled, "Contain Mercury" and/or the symbol "HG". Lamps that contain mercury must be disposed of in accordance with local requirements. Information regarding lamp recycling and disposal can be found at www.lamprecycle.org

