

# Day-Brite

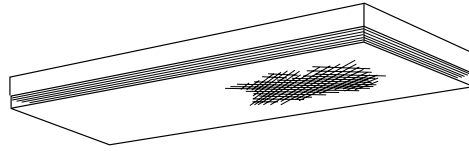
## CFI

by Signify

### Linear

DW straight side wraparound

Wide, T5, T5HO, or T8



Project: \_\_\_\_\_  
 Location: \_\_\_\_\_  
 Cat.No: \_\_\_\_\_  
 Type: \_\_\_\_\_  
 Lamps: \_\_\_\_\_ Qty: \_\_\_\_\_  
 Notes: \_\_\_\_\_

The Day-Brite / CFI DW straight side wraparound wide is a specification grade luminaire with injection molded end caps.

#### Ordering guide

Example: DWW228-UNV-1/2-EB

Family	Width		No. of Lamps per Cross Section	Lamp Type	Voltage		Options
	W	Wide			—	—	
<b>DW</b> Straight side wrap	W	Wide	(not included)	<b>28</b> 28WT5 (46")	<b>UNV</b> Universal voltage	<b>1/2</b>	One 2-lamp ballast
<b>TDW</b> Tandem (8') model			<b>2</b>	<b>32</b> 32WT8 (48")	120/277V	<b>1/3</b>	One 3-lamp ballast
<b>VDW</b> Vandal resistant model			<b>3</b> (cannot be stem mounted)	<b>54HO</b> 54WT5HO (46")	120V	<b>1/21</b>	2-lamp & 1-lamp ballasts
<b>VTDW</b> Vandal resistant tandem model (8')			<b>4</b> (not available in 54WT5HO)		<b>277</b> 277V	<b>1/4</b>	One 4-lamp ballast
					<b>347</b> 347V	<b>2/2</b>	Two 2-lamp ballasts
						<b>1/42</b>	4-lamp & 2-lamp ballasts
						<b>2/4</b>	Two 4-lamp ballasts
						<b>EB</b>	Electronic ballast, <10% THD
						<b>EB1OR</b>	T8 electronic ballast, program rapid start, <10% THD
						<b>EBHE</b>	T8 electronic ballast, high efficiency, std. ballast factor
						<b>EBLHE</b>	T8 electronic ballast, high efficiency, low ballast factor
						<b>EBHHE</b>	T8 electronic ballast, high efficiency, high ballast factor
						<b>EBSD</b>	T8 electronic step dimming ballast, 88 ballast factor
						<b>EBD7</b>	Advance Mark 7 dimming ballast, 0-10V (low voltage) control
						<b>EBDX</b>	Advance Mark 10 dimming ballast, phase control
						<b>EBD</b>	Electronic dimming ballast, customer specified
						<b>E1</b>	B100 emerg. ballast, T8, 350-450 lumens, 120/277V
						<b>E1CAN</b>	B100-CAN emerg. ballast, Canada market, 350-450 lumens, 120/347V
						<b>E7</b>	B60 emerg. ballast, T8, 600-700 lumens, 120/277V
						<b>E5</b>	B50 emerg. ballast, U.S. or Canada market, T8, 1100-1400 lumens, UNV
						<b>E5CAN</b>	B50-CAN emerg. ballast, Canada market, T8, 1100-1400 lumens, 120/347V
						<b>E5ST</b>	B50ST emerg. ballast w/self test, T8, 1100-1400 lumens, UNV
						<b>E7LP</b>	LP550 emerg. ballast T5/T5HO, 430-700 lumens, 120/277V
						<b>E6LP</b>	LP600 emerg. ballast U.S. or Canada market, T5/T5HO, 750-1325 lumens, 120/277V
						<b>GLR</b>	Fusing, fast blow

See Section 1600-OA for Option Information.  
 See Page 950-SS for Mounting Hardware.

#### Accessories (order separately)

- **CS-400** – Rigid Canopy
- **CS-500** – 42" Top Swivel Canopy
- **CS-12** – 12" Stem
- **CS-18** – 18" Stem
- **CS-24** – 24" Stem
- **CS-30** – 30" Stem
- **CS-36** – 36" Stem
- **CS-48** – 48" Stem



# DWW Straight side wraparound, wide

T5, T5HO, or T8

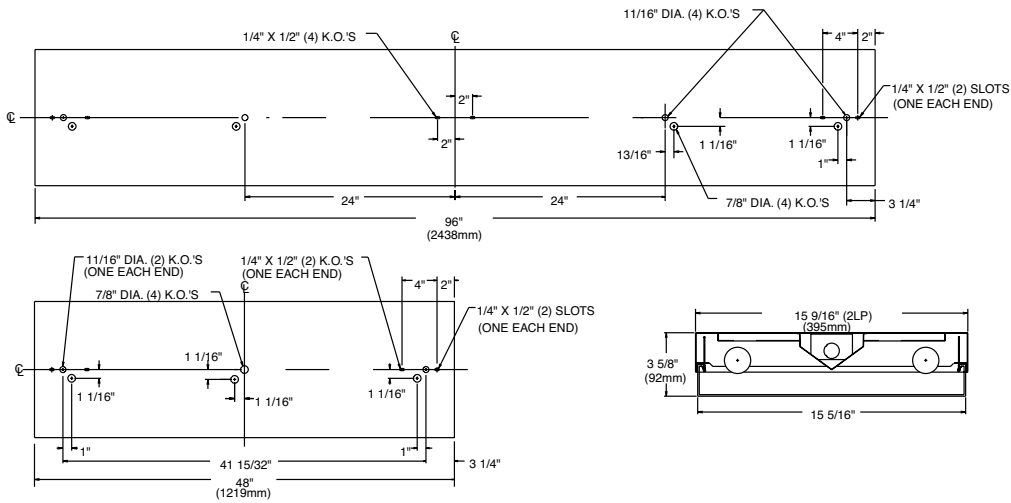
## Construction/Finish

- Standard diffuser is flat bottom prismatic acrylic with linear side and end prisms.
- Multiple knockouts accommodate a variety of mounting methods.
- Optional high impact diffuser is 1/8" thick and contains 50% "DR" impact resistant acrylic.
- Heavy duty channel of code gauge die formed steel.
- Diffuser end caps are injection molded acrylic.
- For surface or stem mounting.
- Diffuser hinges and latches from either side with 4 torsion springs.
- 3 lamp is for surface mounting only.
- Housing is multi-stage phosphate treated for maximum corrosion resistance and finish coat is high reflectance baked white enamel.

## Electrical

- cULus listed for direct mounting to low density ceilings and damp locations.
- Lampholders snap into socket plates and may be individually replaced or rewired.
- Self-contained fluorescent emergency power packs can be incorporated.

## Dimensions (2 lamp)



## Photometry

### Straight side wraparound DWW 2 Lamp T8

Efficiency – 83.2%

LER – FW-69

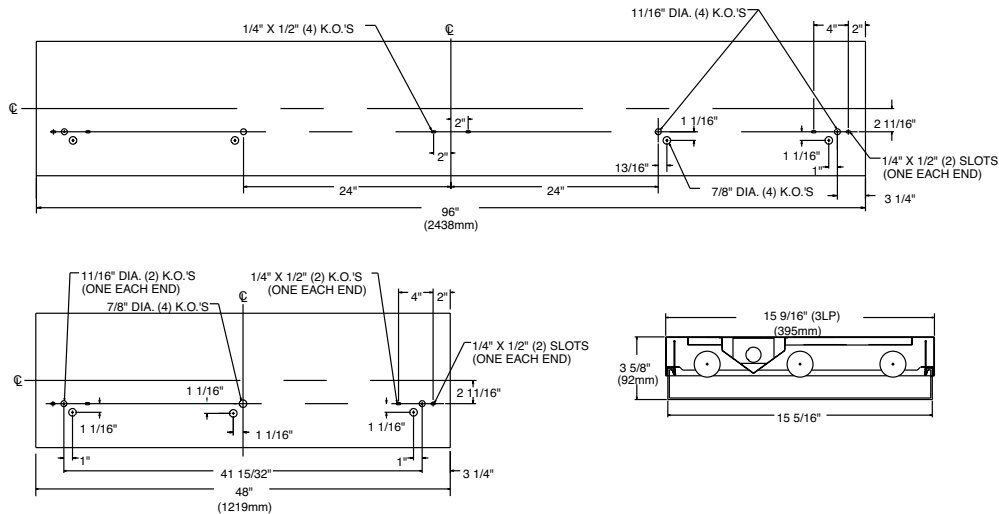
TER – 58

Catalog No.	DWW 232-1/2-EB	Candlepower				Light Distribution				Average Luminance																																																																																																																																																	
		Angle	End	45	Cross	Degrees	Lumens	% Lamp	% Luminaire	Angle	End	45°	Cross																																																																																																																																														
Test No.	17014	0	1514	1514	1514	0-30	1225	21.1	25.4	45	2818	2980	3084																																																																																																																																														
S/MH	1.4	5	1519	1513	1503	0-40	2039	35.1	42.2	55	2253	2497	2544																																																																																																																																														
Lamp Type	F32T8	15	1471	1494	1507	0-60	3541	61.1	73.4	65	1727	2086	2448																																																																																																																																														
Lumens/Lamp	2900	25	1369	1436	1474	0-90	4603	79.4	95.4	75	1590	2130	2817																																																																																																																																														
Ballast Factor	.92	35	1211	1324	1363	90-180	224	3.9	4.6	85	1434	2723	2787																																																																																																																																														
Input Watts	64	45	979	1095	1140	0-180	4827	83.2	100.0																																																																																																																																																		
Comparative yearly lighting energy cost per 1000 lumens – \$3.48 based on 3000 hrs. and \$.08 pwr KWH.  The photometric results were obtained in the Day-Brite laboratory which is NVLAP accredited by the National Institute of Standards and Technology.		55	643	771	792	<table border="1"> <thead> <tr> <th colspan="12">Coefficients of Utilization</th> </tr> <tr> <th colspan="12">EFFECTIVE FLOOR CAVITY REFLECTANCE 20 PER (pfc=0.20)</th> </tr> <tr> <th rowspan="2">pcc</th> <th colspan="3">80</th> <th colspan="3">70</th> <th colspan="3">50</th> </tr> <tr> <th>70</th> <th>50</th> <th>30</th> <th>70</th> <th>50</th> <th>30</th> <th>50</th> <th>30</th> </tr> <tr> <th>RCR</th> <td>0</td> <td>97</td> <td>97</td> <td>97</td> <td>94</td> <td>94</td> <td>94</td> <td>90</td> <td>90</td> </tr> <tr> <td>1</td> <td>89</td> <td>84</td> <td>81</td> <td>85</td> <td>81</td> <td>79</td> <td>78</td> <td>75</td> </tr> <tr> <td>2</td> <td>81</td> <td>73</td> <td>68</td> <td>78</td> <td>71</td> <td>66</td> <td>68</td> <td>63</td> </tr> <tr> <td>3</td> <td>73</td> <td>65</td> <td>57</td> <td>70</td> <td>63</td> <td>56</td> <td>59</td> <td>54</td> </tr> <tr> <td>4</td> <td>67</td> <td>56</td> <td>50</td> <td>65</td> <td>56</td> <td>48</td> <td>53</td> <td>46</td> </tr> <tr> <td>5</td> <td>61</td> <td>51</td> <td>44</td> <td>59</td> <td>50</td> <td>42</td> <td>47</td> <td>41</td> </tr> <tr> <td>6</td> <td>56</td> <td>46</td> <td>39</td> <td>55</td> <td>45</td> <td>38</td> <td>42</td> <td>36</td> </tr> <tr> <td>7</td> <td>53</td> <td>41</td> <td>34</td> <td>51</td> <td>40</td> <td>34</td> <td>39</td> <td>33</td> </tr> <tr> <td>8</td> <td>48</td> <td>38</td> <td>30</td> <td>47</td> <td>36</td> <td>30</td> <td>35</td> <td>29</td> </tr> <tr> <td>9</td> <td>46</td> <td>34</td> <td>28</td> <td>45</td> <td>34</td> <td>28</td> <td>33</td> <td>27</td> </tr> <tr> <td>10</td> <td>42</td> <td>32</td> <td>26</td> <td>41</td> <td>32</td> <td>25</td> <td>30</td> <td>25</td> </tr> </thead></table>								Coefficients of Utilization												EFFECTIVE FLOOR CAVITY REFLECTANCE 20 PER (pfc=0.20)												pcc	80			70			50			70	50	30	70	50	30	50	30	RCR	0	97	97	97	94	94	94	90	90	1	89	84	81	85	81	79	78	75	2	81	73	68	78	71	66	68	63	3	73	65	57	70	63	56	59	54	4	67	56	50	65	56	48	53	46	5	61	51	44	59	50	42	47	41	6	56	46	39	55	45	38	42	36	7	53	41	34	51	40	34	39	33	8	48	38	30	47	36	30	35	29	9	46	34	28	45	34	28	33	27	10	42	32	26	41	32	25	30	25
		Coefficients of Utilization																																																																																																																																																									
		EFFECTIVE FLOOR CAVITY REFLECTANCE 20 PER (pfc=0.20)																																																																																																																																																									
		pcc	80											70			50																																																																																																																																										
			70	50	30									70	50	30	50	30																																																																																																																																									
		RCR	0	97	97									97	94	94	94	90	90																																																																																																																																								
		1	89	84	81									85	81	79	78	75																																																																																																																																									
		2	81	73	68									78	71	66	68	63																																																																																																																																									
		3	73	65	57									70	63	56	59	54																																																																																																																																									
		4	67	56	50									65	56	48	53	46																																																																																																																																									
		5	61	51	44									59	50	42	47	41																																																																																																																																									
		6	56	46	39									55	45	38	42	36																																																																																																																																									
		7	53	41	34									51	40	34	39	33																																																																																																																																									
8	48	38	30	47	36	30	35	29																																																																																																																																																			
9	46	34	28	45	34	28	33	27																																																																																																																																																			
10	42	32	26	41	32	25	30	25																																																																																																																																																			
75	219	352	474																																																																																																																																																								
85	81	231	245																																																																																																																																																								
95	25	87	95																																																																																																																																																								
105	19	52	66																																																																																																																																																								
115	13	38	45																																																																																																																																																								
125	9	30	33																																																																																																																																																								
135	6	23	28																																																																																																																																																								
145	4	14	21																																																																																																																																																								
155	4	8	12																																																																																																																																																								
165	4	5	6																																																																																																																																																								
175	4	4	4																																																																																																																																																								

# DWW Straight side wraparound, wide

T5, T5HO, or T8

## Dimensions (3 lamp)



## Photometry

### Straight side wraparound DWW 3 Lamp T8

Efficiency – 78.8%

LER – FW-73

TER – 62

<b>Catalog No.</b>	DWW 332-120-1/3-EB
<b>Test No.</b>	17026
<b>S/MH</b>	1.4
<b>Lamp Type</b>	F32T8
<b>Lumens/Lamp</b>	2900
<b>Ballast Factor</b>	.93
<b>Input Watts</b>	87

Comparative yearly lighting energy cost per 1000 lumens – **\$3.29** based on 3000 hrs. and \$.08 pwr KWH.

The photometric results were obtained in the Day-Brite laboratory which is NVLAP accredited by the National Institute of Standards and Technology.

Candlepower			
Angle	End	45	Cross
0	2190	2190	2190
5	2186	2187	2182
15	2117	2152	2174
25	1972	2056	2108
35	1742	1880	1949
45	1419	1587	1650
55	930	1092	1143
65	536	690	776
75	319	466	595
85	125	292	369
95	36	130	138
105	27	78	97
115	18	62	84
125	13	41	51
135	9	29	38
145	7	18	27
155	6	10	16
165	6	6	8
175	6	5	6

### Light Distribution

Degrees	Lumens	% Lamp	% Luminaire
0-30	1759	20.2	25.7
0-40	2923	33.6	42.6
0-60	5084	58.4	74.2
0-90	6527	75.0	95.2
90-180	327	3.8	4.8
0-180	6853	78.8	100.0

### Average Luminance

Angle	End	45°	Cross
45	4085	4318	4463
55	3258	3537	3672
65	2495	2867	3187
75	2316	2820	3536
85	2214	3442	4197

### Coefficients of Utilization

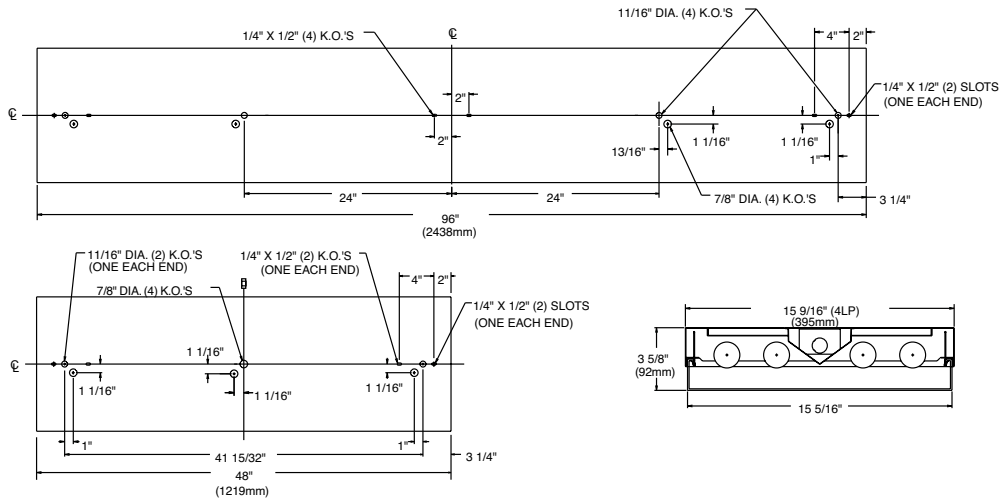
EFFECTIVE FLOOR CAVITY REFLECTANCE 20 PER (pfc=0.20)

pcc	80			70			50	
	70	50	30	70	50	30	50	30
RCR								
0	93	93	93	90	90	90	84	84
1	83	80	77	81	78	75	73	70
2	77	69	64	73	68	63	65	59
3	69	60	55	68	59	54	56	52
4	64	54	46	61	53	46	51	45
5	58	48	41	56	47	40	45	40
6	54	44	36	53	42	35	40	34
7	50	40	33	48	39	32	36	32
8	46	35	29	45	35	28	34	28
9	44	33	27	41	33	26	30	26
10	40	30	23	40	29	23	28	23

# DWW Straight side wraparound, wide

T5, T5HO, or T8

## Dimensions (4 lamp)



## Photometry

### Straight side wraparound DWW 4 Lamp T8

Efficiency – 78.2%

LER – FW-75

TER – 64

Catalog No.	DWW 432-120-1/4-EB	Candlepower				Light Distribution				Average Luminance							
		Angle	End	45	Cross	Degrees	Lumens	% Lamp	% Luminaire	Angle	End	45°	Cross				
Test No.	17028	0	2968	2968	2968	0-30	2380	20.5	26.2	45	5470	5717	5927				
S/MH	1.3	5	2962	2967	2941	0-40	3952	34.1	43.6	55	4393	4631	4610				
Lamp Type	F32T8	15	2862	2916	2929	0-60	6806	58.7	75.0	65	3360	3681	3976				
Lumens/Lamp	2900	25	2664	2787	2837	0-90	8662	74.7	95.5	75	3100	3630	4499				
Ballast Factor	.91	35	2361	2550	2606	90-180	411	3.5	4.5	85	2886	4337	5369				
Input Watts	110	45	1900	2101	2191	0-180	9073	78.2	100.0								
Comparative yearly lighting energy cost per 1000 lumens – \$3.20 based on 3000 hrs. and \$.08 pwr KWH.		55	1254	1430	1435	Coefficients of Utilization											
		65	722	886	968	EFFECTIVE FLOOR CAVITY REFLECTANCE 20 PER (pfc=0.20)											
		75	427	600	757	pcc											
		85	163	368	472	pw											
		95	47	161	157	RCR											
		105	36	94	115	0											
		115	25	84	104	1											
		125	17	61	80	2											
		135	12	40	56	3											
		145	9	24	36	4											
The photometric results were obtained in the Day-Brite laboratory which is NVLAP accredited by the National Institute of Standards and Technology.		155	8	13	20	5											
		165	8	8	10	6											
		175	8	8	7	7											
						8											



Some luminaires use fluorescent or high intensity discharge (HID) lamps that contain small amounts of mercury. Such lamps are labeled, "Contain Mercury" and/or the symbol "HG". Lamps that contain mercury must be disposed of in accordance with local requirements. Information regarding lamp recycling and disposal can be found at [www.lamprecycle.org](http://www.lamprecycle.org)

