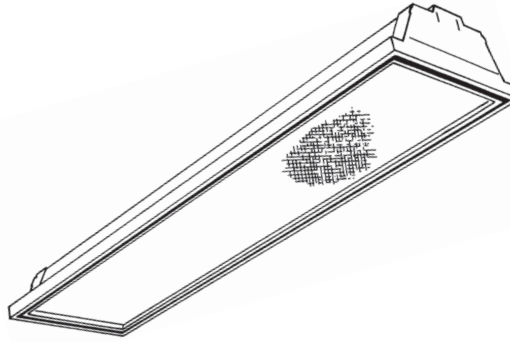


PHILIPS
Day-Brite
CFI

Recessed

Designer 1x4

1, 2, or 3 lamp T8, T5, T5HO
with Air Handling



Project: _____
Location: _____
Cat.No: _____
Type: _____
Lamps: _____ Qty: _____
Notes: _____

The Philips Day-Brite / CFI Designer is a premium grade recessed luminaire. Multiple options in door frames, lenses, air handling, and ceiling types provide versatility to meet the needs of many applications.

Ordering guide Example:

1DPGA132-FA01-UNV-1/1-EBHHE-LPT835HL

Width	Family	Ceiling type	Air function	No. of lamps (not included)	Lamp type/Wattage	Door frame	Lens	Voltage	Door finish
1									
1 1'	DP Designer	G Grid F Flange	S Static (no air function) but with black reveal A Air Supply H Heat Transfer C Combination (A&H)	1 2 3	28 28WT5 (46") 32 32WT8 (48") 54HO 54WT5HO (46")	FA Flat Aluminum	01 Pattern 12 prismatic acrylic 08 Frost glaze (opal), .187" nominal 12 K-12, .125" nominal 19 K-19, .156" nominal 21 Pattern 12, .125" nominal	120 120V 277 277V 347 347V UNV Universal voltage 120-277V	BLANK White B Black Door

Options

1/1	One 1 lamp ballast	E7LP	LP550 emerg. ballast T5/T5HO, 430-700 lumens, 120/277V
1/2	One 2 lamp ballast	E6LP	LP600 emerg. ballast U.S. or Canada market, T5/T5HO, 750-1325 lumens, 120/277V
1/3	One 3 lamp ballast	F1	3/8" flex, 3 wire 18 gauge 6'
1/21	2 lamp and 1 lamp ballasts	F2	3/8" flex, 4 wire 18 gauge 6'
APC	Air pattern control blade	F2/5W	3/8" single flex, 5 wire 18 gauge 6' for dimmable luminaires
ASC	Snap out air slot covers one 1-lamp ballast	GLR	Fusing, fast blow
EB	Electronic ballast, <10% THD std. ballast factor	LPT830	Installed T8/T5/T5HO lamps 80+ CRI 3000K
EB10R	T8 electronic ballast, program rapid start, <10% THD	LPT835	Installed T8/T5/T5HO lamps 80+ CRI 3500K
EBHE	T8 electronic ballast, high efficiency, std. ballast factor	LPT841	Installed T8/T5/T5HO lamps 80+ CRI 4100K
EBLHE	T8 electronic ballast, high efficiency, low ballast factor	LPT830HL	Installed T8/T5 hi lumen lamps 80+ CRI 3000K
EBHHE	T8 electronic ballast, high efficiency, high ballast factor	LPT835HL	Installed T8/T5 hi lumen lamps 80+ CRI 3500K
EBD7	Advance Mark 7 dimming ballast, 0-10V (low voltage) control	LPT841HL	Installed T8/T5 hi lumen lamps 80+ CRI 4100K
EBDX	Advance Mark 10 dimming ballast, phase control	1W	1-way gasketing between lens & door frame (not avail. w/ RA door)
EBSD	T8 electronic step dimming ballast, .88 ballast factor	2W	2-way gasketing, 1W + gasketing between door frame & housing
EBD	Electronic dimming ballast, customer specified	3W	3-way gasketing, 2W + gasketing for field installation between housing & ceiling
E1	B100 emerg. ballast, T8, 350-450 lumens, 120/277V	SI	Specular Insert (reflector)
E1CAN	B100-CAN emerg. ballast, Canada market, T8, 350-450 lumens, 120/347V	PAF	Housing painted after fabrication
E7	B60 emerg. ballast, T8, 600-700 lumens, 120/277V	CHIC	Chicago Plenum rated
E5	B50 emerg. ballast, U.S. or Canada market, T8, 1100-1400 lumens, UNV	WR	White reveal
E5CAN	B50-CAN emerg. ballast, Canada market, T8, 1100-1400 lumens, 120/347V		
E5ST	B50ST emerg. ballast w/self test, T8, 1100-1400 lumens, UNV		

Accessories (order separately)

- FMA14 1'x4' "F" mounting frame for NEMA "F" mounting



1DP Designer recessed 1X4

1, 2, or 3 lamp T8, T5, T5HO

Application

- Premium quality recessed air handling troffer for:
 - Grid inverted T (NEMA "G") ceilings
 - Flange for concealed mechanical suspension (NEMA "F")
- Select one of four air handling functions:
 - Static: non-air handling
 - Heat transfer: air return through lamp compartment
 - Air supply: (or air return) through side slots, adjustable pattern control blade is optional
 - Combination: both heat transfer and air supply features listed above
- Air boots by others.

Construction/Finish

- Die formed ribbed and embossed steel housing
- Housing is multi-stage phosphate treated for maximum corrosion resistance and finish coat is high reflectance baked white enamel
- Labor saving integral t-bar grid clip.
- Factory installed access plate includes grounding screw
- K.O. in luminaire ends for thru wiring or conduit entry in shallow plenums

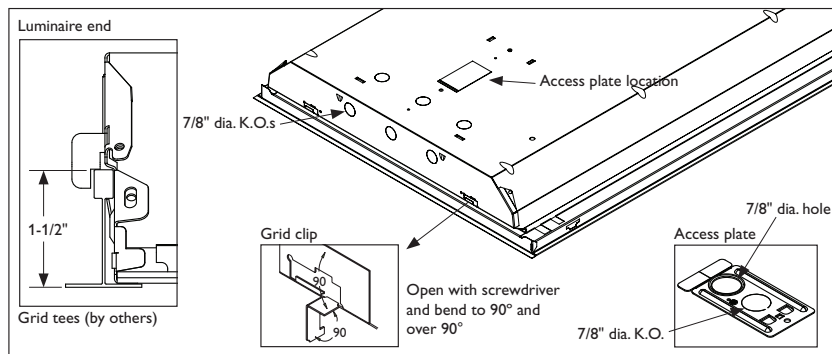
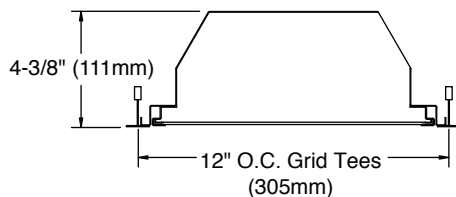
Electrical

- cULus listed for damp locations
- Self-contained fluorescent emergency power packs can be incorporated
- No exposed internal wiring
- Twist lock lampholders are standard for positive lamp retention

Enclosure

- Black reveal produces floating door appearance
- Door frames standard with premium white guide post spring loaded latches
- Door frames have mitered corners and are painted after fabrication with white polyester power finish

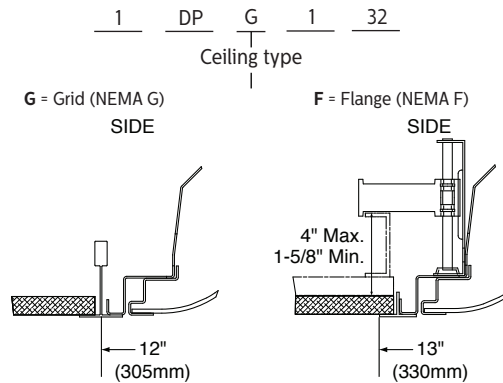
Dimensions



1DP Designer recessed 1X4

1, 2, or 3 lamp T8, T5, T5HO

Ceiling configuration



G = Grid (NEMA G)
SIDE
 Lay-in acoustical ceilings using exposed grid suspension, with tees for luminaires on 12" x 48" spacing.

F = Flange (NEMA F)
SIDE
 Flange for acoustical ceilings using concealed mechanical suspension. Swing-jack mounting brackets: adjustment 3-3/4" max and 1-1/4" min. Refer to sheet 801-CL for cut-out information.

Photometry

D 1x4 1 Lamp T8

Efficiency – 78.1%

LER – 65

TER – 57

Catalog No.	1DPGA132-FA01-1/1-EB	Candlepower				Light Distribution				Average Luminance								
Test No.	15550	Angle	End	45	Cross	Degrees	Lumens	% Lamp	% Luminaire	Angle	End	45°	Cross					
S/MH	1.4	0	892	892	892	0-30	728	25.1	34.6	45	2922	2979	2871					
Lamp Type	F32T8	5	888	890	893	0-40	1203	41.5	57.2	55	2167	1860	2076					
Lumens/Lamp	2900	10	877	887	896	0-60	1863	64.2	88.5	65	1589	1021	1560					
Ballast Factor	1.00	15	858	881	904	0-90	2104	72.6	100.0	75	1297	942	1328					
Input Watts	35	20	830	871	910	Coefficients of Utilization												
Comparative yearly lighting energy cost per 1000 lumens – \$4.00 based on 3000 hrs. and \$.08 pwr KWH. The photometric results were obtained in the Philips Day-Brite laboratory which is NVLAP accredited by the National Institute of Standards and Technology.		25	794	859	911	EFFECTIVE FLOOR CAVITY REFLECTANCE 20 PER (pfc=0.20)												
		30	745	839	889	pcc	80			70			50					
		35	680	790	808	pw	70	50	30	70	50	30	50	30				
		40	603	662	669	RCR												
		45	517	527	508	0	85	85	85	83	83	83	81	81				
		50	408	394	383	1	80	77	73	78	75	72	71	69				
		55	311	267	298	2	73	68	64	71	67	63	65	60				
		60	233	168	225	3	68	60	56	66	59	55	57	54				
		65	168	108	165	4	63	55	48	60	54	48	52	47				
		70	118	79	118	5	57	50	44	56	48	42	46	42				
		75	84	61	86	6	54	45	39	53	44	39	42	38				
		80	52	40	55	7	50	40	34	48	40	34	40	34				
		85	25	23	25	8	46	38	32	46	36	32	35	30				
						9	44	34	28	42	34	28	34	28				
						10	40	32	27	40	32	27	30	26				

DGA 1x4 2 Lamp T8

Efficiency – 66.8%

LER – 60

TER – 55

Catalog No.	1DPGS232-FA01-1/2-EB	Candlepower				Light Distribution				Average Luminance								
Test No.	15551	Angle	End	45	Cross	Degrees	Lumens	% Lamp	% Luminaire	Angle	End	45°	Cross					
S/MH	1.1	0	1909	1909	1909	0-30	1428	24.6	36.8	45	5477	5149	4991					
Lamp Type	F32T8	5	1904	1896	1895	0-40	2258	38.9	58.3	55	3965	3331	3574					
Lumens/Lamp	2900	10	1876	1866	1857	0-60	3434	59.2	88.6	65	2894	1891	2771					
Ballast Factor	0.92	15	1830	1810	1785	0-90	3875	66.8	100.0	75	2378	1745	2409					
Input Watts	59	20	1762	1715	1676	Coefficients of Utilization												
Comparative yearly lighting energy cost per 1000 lumens – \$4.00 based on 3000 hrs. and \$.08 pwr KWH. The photometric results were obtained in the Philips Day-Brite laboratory which is NVLAP accredited by the National Institute of Standards and Technology.		25	1669	1600	1550	EFFECTIVE FLOOR CAVITY REFLECTANCE 20 PER (pfc=0.20)												
		30	1540	1467	1441	pcc	80			70			50					
		35	1379	1332	1303	pw	70	50	30	70	50	30	50	30				
		40	1175	1134	1133	RCR												
		45	969	911	883	0	80	80	80	78	78	78	73	73				
		50	752	692	663	1	73	70	68	71	69	67	67	65				
		55	569	478	513	2	68	63	58	66	61	58	59	56				
		60	422	308	394	3	63	56	52	60	56	51	54	50				
		65	306	200	293	4	57	51	46	56	50	45	48	44				
		70	219	149	215	5	54	46	40	53	46	40	44	40				
		75	154	113	156	6	50	41	36	48	40	35	40	35				
		80	97	74	98	7	46	39	33	46	38	33	36	32				
		85	43	41	45	8	44	34	29	42	34	29	34	29				
						9	40	33	28	40	32	27	32	27				
						10	39	29	25	38	29	25	28	25				

1DP Designer recessed 1X4

1, 2, or 3 lamp T8, T5, T5HO

DGA 1x4 3 Lamp T8

Efficiency – 62.1%

LER – 61

TER – 56

		Candlepower				Light Distribution				Average Luminance			
		Angle	End	45	Cross	Degrees	Lumens	% Lamp	% Luminaire	Angle	End	45°	Cross
Catalog No.	1DPGS332-FA01-1/3-EB	0	2634	2634	2634	0-30	2013	23.1	37.2	45	7608	7167	6664
Test No.	15555	5	2619	2623	2619	0-40	3194	36.7	59.1	55	5498	4459	4912
S/MH	1.2	10	2583	2586	2581	0-60	4808	55.3	88.9	65	3972	2506	3802
Lamp Type	F32T8	15	2520	2522	2510	0-90	5406	62.1	100.0	75	3289	2363	3227
Lumens/Lamp	2900	20	2430	2420	2406					85	2797	2660	2843
Ballast Factor	0.93	25	2313	2291	2269								
Input Watts	82	30	2147	2125	2103								
		35	1920	1920	1845								
		40	1648	1597	1528								
		45	1346	1268	1179								
		50	1043	958	901								
		55	789	640	705								
		60	578	404	545								
		65	420	265	402								
		70	300	197	290								
		75	213	153	209								
		80	135	99	133								
		85	61	58	62								

Coefficients of Utilization										
EFFECTIVE FLOOR CAVITY REFLECTANCE 20 PER (pfc=0.20)										
pcc	80			70			50			RCR
	70	50	30	70	50	30	50	30		
0	73	73	73	71	71	71	68	68		
1	68	66	64	67	65	63	61	59		
2	63	58	55	61	57	55	56	53		
3	58	53	47	56	52	47	50	46		
4	54	47	42	53	46	41	45	40		
5	50	42	38	48	41	38	40	36		
6	46	39	34	46	39	34	38	33		
7	44	35	30	42	34	30	34	29		
8	40	33	28	40	33	28	32	28		
9	38	30	26	36	29	26	28	25		
10	35	28	23	34	28	23	27	23		

Comparative yearly lighting energy cost per 1000 lumens – \$3.93 based on 3000 hrs. and \$.08 pwr KWH.

The photometric results were obtained in the Philips Day-Brite laboratory which is NVLAP accredited by the National Institute of Standards and Technology.

© 2016 Koninklijke Philips N.V. All rights reserved.
Philips reserves the right to make changes in specifications and/or to discontinue any product at any time without notice or obligation and will not be liable for any consequences resulting from the use of this publication.
philips.com/luminaires



Philips Lighting North America Corporation
200 Franklin Square Drive, Somerset, NJ 08873
Tel. 855-486-2216

Philips Lighting Canada Ltd.
281 Hillmount Rd, Markham, ON, Canada L6C 2S3
Tel. 800-668-9008