

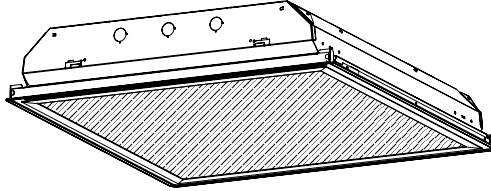
# Day-Brite CFI

by @ignify

## Recessed

Designer 2x2

2 lamp T8 U6"  
2,3, or 4 lamp, T8, T5, or T5HO



Project: \_\_\_\_\_  
Location: \_\_\_\_\_  
Cat.No: \_\_\_\_\_  
Type: \_\_\_\_\_  
Lamps: \_\_\_\_\_ Qty: \_\_\_\_\_  
Notes: \_\_\_\_\_

Day-Brite / CFI Designer is a premium grade recessed luminaire. Multiple options in door frames, lenses, air handling, and ceiling types provide versatility to meet the needs of many applications.

### Ordering guide

Example: 2DPG317-FS01-UNV-1/3-EBHEL-LPT835HL

Width	Family	Ceiling type	No. of lamps (not included)	Lamp type/Wattage	Door frame	Lens	Door finish	Voltage	Door finish
2	DP								
2 2'	DP Designer	G Grid F Flange	2 3 4	14 14WT5 (22") 17 17WT8 (24") 24HO 24WT5HO (22") 31U6 31WT8 6" (24")	FS Flat Steel FA Flat Aluminum RA Regressed Aluminum	01 Pattern 12 prismatic acrylic 12 K-12, .125" nominal 19 K-19, .156" nominal 21 Pattern 12, .125" nominal	BLANK White B Black Door	120 120V 277 277V 347 347V UNV Universal voltage 120-277V	BLANK White B Black Door

### Options

1/2	One 2 lamp ballast	E5CAN	B50-CAN emerg. ballast, Canada market, T8, 1100-1400 lumens, 120/347V
1/3	One 3 lamp ballast	E5ST	B50ST emerg. ballast w/self test, T8, 1100-1400 lumens, UNV
1/21	2 lamp and 1 lamp ballasts	E7LP	LP550 emerg. ballast T5/T5HO, 430-700 lumens, 120/277V
1/4	One 4 lamp ballast	E6LP	LP600 emerg. ballast U.S. or Canada market, T5/T5HO, 750-1325 lumens, 120/277V
2/2	Two 2 lamp ballasts	F1	3/8" flex, 3 wire 18 gauge 6'
APC	Air pattern control blade	F2	3/8" flex, 4 wire 18 gauge 6'
ASC	Snap out air slot covers one 1-lamp ballast	F2/5W	3/8" single flex, 5 wire 18 gauge 6' for dimmable luminaires
EB	Electronic ballast, <10% THD std. ballast factor	GLR	Fusing, fast blow
EB10R	T8 electronic ballast, program rapid start, <10% THD	LPT830	Installed T8/T5/T5HO lamps 80+ CRI 3000K
EBHE	T8 electronic ballast, high efficiency, std. ballast factor	LPT835	Installed T8/T5/T5HO lamps 80+ CRI 3500K
EBLHE	T8 electronic ballast, high efficiency, low ballast factor	LPT841	Installed T8/T5/T5HO lamps 80+ CRI 4100K
EBHHE	T8 electronic ballast, high efficiency, high ballast factor	LPT830HL	Installed T8/T5 hi lumen lamps 80+ CRI 3000K
EBD7	Advance Mark 7 dimming ballast, 0-10V (low voltage) control	LPT835HL	Installed T8/T5 hi lumen lamps 80+ CRI 3500K
EBDX	Advance Mark 10 dimming ballast, phase control	LPT841HL	Installed T8/T5 hi lumen lamps 80+ CRI 4100K
EBSD	T8 electronic step dimming ballast, .88 ballast factor	1W	1-way gasketing between lens & door frame (not avail. w/ RA door)
EBD	Electronic dimming ballast, customer specified	2W	2-way gasketing, 1W + gasketing between door frame & housing
E1	B100 emerg. ballast, T8, 350-450 lumens, 120/277V	3W	3-way gasketing, 2W + gasketing for field installation between housing & ceiling
E1CAN	B100-CAN emerg. ballast, Canada market, T8, 350-450 lumens, 120/347V	SI	Specular Insert (reflector)
E7	B60 emerg. ballast, T8, 600-700 lumens, 120/277V	PAF	Housing painted after fabrication
E5	B50 emerg. ballast, U.S. or Canada market, T8, 1100-1400 lumens, UNV	CHIC	Chicago Plenum rated

1. 2 lamp only

### Accessories (order separately)

FKDP22 2x2 flange conversion kit from NEMA G to NEMA F type  
FMA22 2'x2' "F" mounting frame for NEMA "F" mounting



# 2DP Designer recessed 2X2

2, 3, or 4 lamp T8 or T5

## Application

- Premium quality recessed static troffer for:
  - Grid inverted T (NEMA "G")
  - Flange for concealed mechanical suspension (NEMA "F")

## Construction/Finish

- Die formed steel housing
- Housing is multi-stage phosphate treated for maximum corrosion resistance and finish coat is high reflectance baked white enamel
- Factory installed access plate includes 7/8" hole, 7/8" knockout and grounding screw
- T-bar grid clips (UL listed) built into fixture, no extra parts required. Designed for use with standard grid ceiling members, 1-1/2" maximum height
- One-piece housing features integral end plates that increase rigidity and minimize damage from handling or shipping

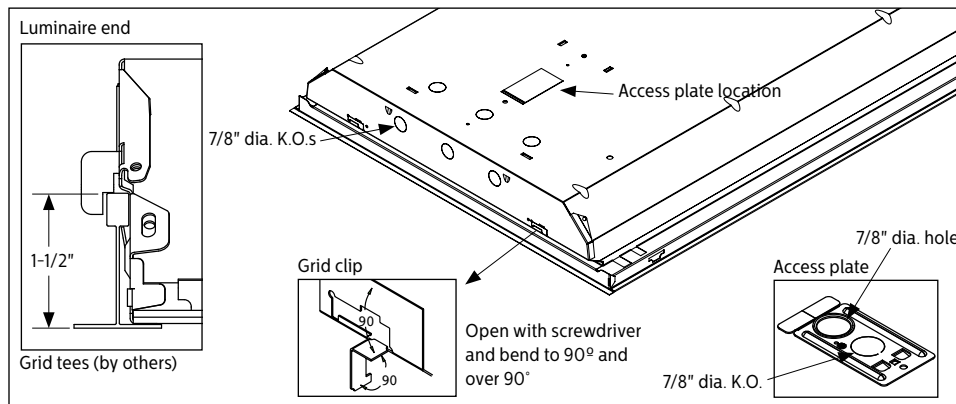
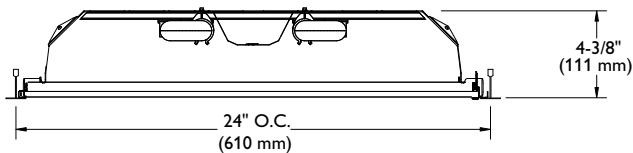
## Electrical

- Class P, HPF ballasts comply with E Federal Ballast Law (Public Law 100-357, 1988)
- cULus listed for damp locations
- Self-contained fluorescent emergency power packs can be incorporated, UL listed for dry locations

## Enclosure

- Mitered corner door frames with a choice of: Flat Steel, Flat Aluminum, or Regressed Aluminum
- T-hinges are standard for positive support of the enclosure
- Guide-post spring loaded latches are standard for ease of use and secure retention of the louver
- Mechanically designed interlocks block light, no gaskets are needed
- Prismatic acrylic pattern 12 lens standard (01). Other lenses or louvers optional
- Choice of door finishes: white (standard) or black

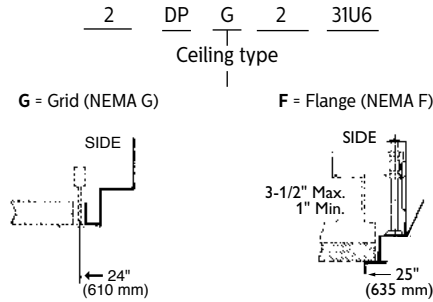
## Dimensions



# 2DP Designer recessed 2X2

2, 3, or 4 lamp T8 or T5

## Ceiling configuration



(NEMA Type G)  
Lay-in acoustical ceilings using exposed grid suspension, with tees for luminaires on 24" x 24" spacing.

(NEMA Type F)  
Flange for acoustical ceilings using concealed mechanical suspension. Swing-jack mounting brackets: adjustment 3-1/2" max. and 1" min. Refer to sheet 801-CL for output information.

## Photometry

### Designer 2x2 3 Lamp T8 Efficiency - 80% LER - 61 TER - 54

<b>Catalog No.</b>	2DPGS317-FS01-1/3-EB	<b>Candlepower</b>				<b>Light Distribution</b>			<b>Average Luminance</b>			
<b>Test No.</b>	22833	<b>Angle</b>	<b>End</b>	<b>45</b>	<b>Cross</b>	<b>Degrees</b>	<b>Lumens</b>	<b>% Luminaire</b>	<b>Zone</b>	<b>End</b>	<b>45'</b>	<b>Cross</b>
<b>S/MH</b>	1.32	0	1292	1292	1292	0-30	1010	31.8	45	3253	3486	3784
<b>Lamp Type</b>	F17T8	5	1282	1288	1292	0-40	1638	51.6	55	2609	2925	3242
<b>Lumens/Lamp</b>	2800	10	1262	1273	1285	0-60	2686	84.6	65	2016	1985	2391
<b>Ballast Factor</b>	0.88	15	1229	1249	1277	0-90	3176	100	75	2053	1452	1965
<b>Input Watts</b>	46	20	1179	1214	1247				85	2342	2044	2193
		25	1113	1163	1208							
		30	1034	1097	1148							
		35	942	1007	1068							
		40	835	892	960							
		45	710	761	826							
		50	581	637	692							
		55	462	518	574							
		60	352	383	441							
		65	263	259	312							
		70	204	164	222							
		75	164	116	157							
		80	123	95	114							
		85	63	55	59							
Comparative yearly lighting energy cost per 1000 lumens - <b>\$3.48</b> based on 3000 hrs. and \$.08 pwr KWH.												
The photometric results were obtained in the Day-Brite laboratory which is NVLAP accredited by the National Institute of Standards and Technology.												

### Designer 2x2 2 Lamp T5HO Efficiency - 86% LER - 57 TER - 51

<b>Catalog No.</b>	2DPG224HO-FS01-1/2-EB	<b>Candlepower</b>				<b>Light Distribution</b>			<b>Average Luminance</b>			
<b>Test No.</b>	29142	<b>Angle</b>	<b>End</b>	<b>45</b>	<b>Cross</b>	<b>Degrees</b>	<b>Lumens</b>	<b>% Luminaire</b>	<b>Zone</b>	<b>End</b>	<b>45'</b>	<b>Cross</b>
<b>S/MH</b>	1.36	0	1200	1200	1200	0-30	948	31.4	45	3053	3424	3827
<b>Lamp Type</b>	F24T5HO	5	1197	1197	1192	0-40	1553	51.4	55	2423	2775	3032
<b>Lumens/Lamp</b>	2800	10	1181	1186	1186	0-60	2572	85.1	65	1857	1743	2099
<b>Ballast Factor</b>	1.00	15	1154	1167	1175	0-90	3023	100	75	1633	1299	2017
<b>Input Watts</b>	53	20	1114	1138	1156				85	1911	1874	2425
		25	1062	1097	1128							
		30	992	1042	1088							
		35	902	970	1037							
		40	796	873	959							
		45	674	756	845							
		50	549	631	704							
		55	434	497	543							
		60	330	351	394							
		65	245	230	277							
		70	180	145	204							
		75	132	105	163							
		80	96	86	124							
		85	52	51	66							
Comparative yearly lighting energy cost per 1000 lumens - <b>\$4.21</b> based on 3000 hrs. and \$.08 pwr KWH.												
The photometric results were obtained in the Day-Brite laboratory which is NVLAP accredited by the National Institute of Standards and Technology.												

# 2DP Designer recessed 2X2

2, 3, or 4 lamp T8 or T5

## DP 2x2 2 Lamp FB032T8/6 Efficiency – 76.5% LER – 69 TER –61

<b>Catalog No.</b> 2DPG231U6-FS01-1/2-EB <b>Test No.</b> 22784 <b>S/MH</b> 1.3 <b>Lamp Type</b> FB032T8/6 <b>Lumens/Lamp</b> 2800 <b>Ballast Factor</b> 0.88 <b>Input Watts</b> 55	<b>Candlepower</b> <table border="1"> <thead> <tr> <th>Angle</th> <th>End</th> <th>45</th> <th>Cross</th> </tr> </thead> <tbody> <tr><td>0</td><td>1752</td><td>1752</td><td>1752</td></tr> <tr><td>5</td><td>1738</td><td>1747</td><td>1751</td></tr> <tr><td>10</td><td>1710</td><td>1727</td><td>1739</td></tr> <tr><td>15</td><td>1665</td><td>1695</td><td>1719</td></tr> <tr><td>20</td><td>1598</td><td>1647</td><td>1687</td></tr> <tr><td>25</td><td>1511</td><td>1578</td><td>1635</td></tr> <tr><td>30</td><td>1403</td><td>1488</td><td>1558</td></tr> <tr><td>35</td><td>1283</td><td>1371</td><td>1444</td></tr> <tr><td>40</td><td>1143</td><td>1211</td><td>1295</td></tr> <tr><td>45</td><td>972</td><td>1036</td><td>1105</td></tr> <tr><td>50</td><td>799</td><td>867</td><td>914</td></tr> <tr><td>55</td><td>641</td><td>694</td><td>741</td></tr> <tr><td>60</td><td>484</td><td>510</td><td>570</td></tr> <tr><td>65</td><td>362</td><td>338</td><td>404</td></tr> <tr><td>70</td><td>278</td><td>217</td><td>286</td></tr> <tr><td>75</td><td>221</td><td>156</td><td>205</td></tr> <tr><td>80</td><td>166</td><td>127</td><td>149</td></tr> <tr><td>85</td><td>84</td><td>70</td><td>78</td></tr> </tbody> </table>				Angle	End	45	Cross	0	1752	1752	1752	5	1738	1747	1751	10	1710	1727	1739	15	1665	1695	1719	20	1598	1647	1687	25	1511	1578	1635	30	1403	1488	1558	35	1283	1371	1444	40	1143	1211	1295	45	972	1036	1105	50	799	867	914	55	641	694	741	60	484	510	570	65	362	338	404	70	278	217	286	75	221	156	205	80	166	127	149	85	84	70	78	<b>Light Distribution</b> <table border="1"> <thead> <tr> <th>Degrees</th> <th>Lumens</th> <th>% Luminaire</th> </tr> </thead> <tbody> <tr><td>0-30</td><td>370</td><td>32</td></tr> <tr><td>0-40</td><td>2222</td><td>51.8</td></tr> <tr><td>0-60</td><td>3638</td><td>84.8</td></tr> <tr><td>0-90</td><td>4287</td><td>100</td></tr> </tbody> </table>			Degrees	Lumens	% Luminaire	0-30	370	32	0-40	2222	51.8	0-60	3638	84.8	0-90	4287	100	<b>Average Luminance</b> <table border="1"> <thead> <tr> <th>Zone</th> <th>End</th> <th>45'</th> <th>Cross</th> </tr> </thead> <tbody> <tr><td>45</td><td>4453</td><td>4746</td><td>5062</td></tr> <tr><td>55</td><td>3620</td><td>3919</td><td>4185</td></tr> <tr><td>65</td><td>2775</td><td>2591</td><td>3097</td></tr> <tr><td>75</td><td>2766</td><td>1952</td><td>2566</td></tr> <tr><td>85</td><td>3122</td><td>2602</td><td>2899</td></tr> </tbody> </table>				Zone	End	45'	Cross	45	4453	4746	5062	55	3620	3919	4185	65	2775	2591	3097	75	2766	1952	2566	85	3122	2602	2899																																								
	Angle	End	45	Cross																																																																																																																																																																		
0	1752	1752	1752																																																																																																																																																																			
5	1738	1747	1751																																																																																																																																																																			
10	1710	1727	1739																																																																																																																																																																			
15	1665	1695	1719																																																																																																																																																																			
20	1598	1647	1687																																																																																																																																																																			
25	1511	1578	1635																																																																																																																																																																			
30	1403	1488	1558																																																																																																																																																																			
35	1283	1371	1444																																																																																																																																																																			
40	1143	1211	1295																																																																																																																																																																			
45	972	1036	1105																																																																																																																																																																			
50	799	867	914																																																																																																																																																																			
55	641	694	741																																																																																																																																																																			
60	484	510	570																																																																																																																																																																			
65	362	338	404																																																																																																																																																																			
70	278	217	286																																																																																																																																																																			
75	221	156	205																																																																																																																																																																			
80	166	127	149																																																																																																																																																																			
85	84	70	78																																																																																																																																																																			
Degrees	Lumens	% Luminaire																																																																																																																																																																				
0-30	370	32																																																																																																																																																																				
0-40	2222	51.8																																																																																																																																																																				
0-60	3638	84.8																																																																																																																																																																				
0-90	4287	100																																																																																																																																																																				
Zone	End	45'	Cross																																																																																																																																																																			
45	4453	4746	5062																																																																																																																																																																			
55	3620	3919	4185																																																																																																																																																																			
65	2775	2591	3097																																																																																																																																																																			
75	2766	1952	2566																																																																																																																																																																			
85	3122	2602	2899																																																																																																																																																																			
Comparative yearly lighting energy cost per 1000 lumens – <b>\$3.48</b> based on 3000 hrs. and \$.08 pwr KWH.  The photometric results were obtained in the Day-Brite laboratory which is NVLAP accredited by the National Institute of Standards and Technology.	<b>Coefficients of Utilization</b> <table border="1"> <thead> <tr> <th colspan="9">EFFECTIVE FLOOR CAVITY REFLECTANCE 20 PER (pfc=0.20)</th> </tr> <tr> <th>pfc =</th> <th>20</th> <th colspan="3">80</th> <th colspan="3">70</th> <th colspan="2">50</th> </tr> <tr> <th>Ceil</th> <td></td> <td></td> <td></td> <td></td> <td></td> <td></td> <td></td> <td></td> <td></td> </tr> <tr> <th>Wall</th> <td>70</td> <td>50</td> <td>30</td> <td>70</td> <td>50</td> <td>30</td> <td>50</td> <td>30</td> <td></td> </tr> <tr> <th>RCR</th> <td></td> <td></td> <td></td> <td></td> <td></td> <td></td> <td></td> <td></td> <td></td> </tr> </thead> <tbody> <tr><td>0</td><td>91</td><td>91</td><td>91</td><td>89</td><td>89</td><td>89</td><td>84</td><td>84</td><td></td></tr> <tr><td>1</td><td>83</td><td>81</td><td>77</td><td>81</td><td>79</td><td>76</td><td>76</td><td>72</td><td></td></tr> <tr><td>2</td><td>77</td><td>70</td><td>66</td><td>75</td><td>69</td><td>65</td><td>67</td><td>63</td><td></td></tr> <tr><td>3</td><td>70</td><td>63</td><td>56</td><td>68</td><td>61</td><td>56</td><td>59</td><td>55</td><td></td></tr> <tr><td>4</td><td>65</td><td>56</td><td>50</td><td>63</td><td>55</td><td>48</td><td>53</td><td>47</td><td></td></tr> <tr><td>5</td><td>59</td><td>51</td><td>44</td><td>57</td><td>50</td><td>44</td><td>47</td><td>42</td><td></td></tr> <tr><td>6</td><td>56</td><td>46</td><td>39</td><td>54</td><td>45</td><td>39</td><td>44</td><td>38</td><td></td></tr> <tr><td>7</td><td>52</td><td>41</td><td>34</td><td>50</td><td>40</td><td>34</td><td>40</td><td>34</td><td></td></tr> <tr><td>8</td><td>47</td><td>38</td><td>32</td><td>46</td><td>38</td><td>32</td><td>36</td><td>30</td><td></td></tr> <tr><td>9</td><td>45</td><td>34</td><td>28</td><td>44</td><td>34</td><td>28</td><td>34</td><td>28</td><td></td></tr> <tr><td>10</td><td>41</td><td>33</td><td>27</td><td>40</td><td>32</td><td>27</td><td>30</td><td>26</td><td></td></tr> </tbody> </table>							EFFECTIVE FLOOR CAVITY REFLECTANCE 20 PER (pfc=0.20)									pfc =	20	80			70			50		Ceil										Wall	70	50	30	70	50	30	50	30		RCR										0	91	91	91	89	89	89	84	84		1	83	81	77	81	79	76	76	72		2	77	70	66	75	69	65	67	63		3	70	63	56	68	61	56	59	55		4	65	56	50	63	55	48	53	47		5	59	51	44	57	50	44	47	42		6	56	46	39	54	45	39	44	38		7	52	41	34	50	40	34	40	34		8	47	38	32	46	38	32	36	30		9	45	34	28	44	34	28	34	28		10	41	33	27	40	32	27	30	26	
EFFECTIVE FLOOR CAVITY REFLECTANCE 20 PER (pfc=0.20)																																																																																																																																																																						
pfc =	20	80			70			50																																																																																																																																																														
Ceil																																																																																																																																																																						
Wall	70	50	30	70	50	30	50	30																																																																																																																																																														
RCR																																																																																																																																																																						
0	91	91	91	89	89	89	84	84																																																																																																																																																														
1	83	81	77	81	79	76	76	72																																																																																																																																																														
2	77	70	66	75	69	65	67	63																																																																																																																																																														
3	70	63	56	68	61	56	59	55																																																																																																																																																														
4	65	56	50	63	55	48	53	47																																																																																																																																																														
5	59	51	44	57	50	44	47	42																																																																																																																																																														
6	56	46	39	54	45	39	44	38																																																																																																																																																														
7	52	41	34	50	40	34	40	34																																																																																																																																																														
8	47	38	32	46	38	32	36	30																																																																																																																																																														
9	45	34	28	44	34	28	34	28																																																																																																																																																														
10	41	33	27	40	32	27	30	26																																																																																																																																																														



Some luminaires use fluorescent or high intensity discharge (HID) lamps that contain small amounts of mercury. Such lamps are labeled, "Contain Mercury" and/or the symbol "HG". Lamps that contain mercury must be disposed of in accordance with local requirements. Information regarding lamp recycling and disposal can be found at [www.lamprecycle.org](http://www.lamprecycle.org)

