

Day-Brite

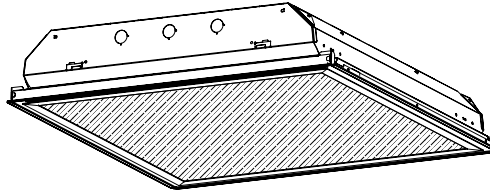
CFI

by Signify

Recessed

Designer 2x2

2 or 3 lamp TT5



Project: _____
 Location: _____
 Cat.No: _____
 Type: _____
 Lamps: _____ Qty: _____
 Notes: _____

Day-Brite / CFI Designer is a premium grade recessed luminaire. Multiple options in door frames, lenses, air handling, and ceiling types provide versatility to meet the needs of many applications.

Ordering guide

Example: 2DPG2CF40-FS01-UNV-1/2-EB-LPT835

Width	Family	Ceiling type	No. of lamps (not included)	Lamp type/Wattage	Door frame	Lens	Door finish	Voltage	Door finish
2	DP								
2 2'	DP Designer	G Grid F Flange	2 3	CF40 40WTT5 (24") CF50 50WTT5 (24") CF55 55WTT5 (24")	FS Flat Steel FA Flat Aluminum RA Regressed Aluminum	01 Pattern 12 prismatic acrylic 12 K-12, .125" nominal 19 K-19, .156" nominal 21 Pattern 12, .125" nominal	BLANK White B Black Door	120 120V 277 277V 347 347V UNV Universal voltage 120-277V	BLANK White B Black Door

Options

1/2	One 2 lamp ballast	E7LP	LP550 emerg. ballast T5/T5HO, 430-700 lumens, 120/277V
1/3	One 3 lamp ballast	E6LP	LP600 emerg. ballast U.S. or Canada market, T5/T5HO, 750-1325 lumens, 120/277V
1/21	2 lamp and 1 lamp ballasts	F1	3/8" flex, 3 wire 18 gauge 6'
APC	Air pattern control blade	F2	3/8" flex, 4 wire 18 gauge 6'
ASC	Snap out air slot covers one 1-lamp ballast	F2/5W	3/8" single flex, 5 wire 18 gauge 6' for dimmable luminaires
EB	Electronic ballast, <10% THD std. ballast factor	GLR	Fusing, fast blow
EB10R	T8 electronic ballast, program rapid start, <10% THD	LPT830	Installed T8/T5/T5HO lamps 80+ CRI 3000K
EBHE	T8 electronic ballast, high efficiency, std. ballast factor	LPT835	Installed T8/T5/T5HO lamps 80+ CRI 3500K
EBLHE	T8 electronic ballast, high efficiency, low ballast factor	LPT841	Installed T8/T5/T5HO lamps 80+ CRI 4100K
EBHHE	T8 electronic ballast, high efficiency, high ballast factor	LPT830HL	Installed T8/T5 hi lumen lamps 80+ CRI 3000K
EBD7	Advance Mark 7 dimming ballast, 0-10V (low voltage) control	LPT835HL	Installed T8/T5 hi lumen lamps 80+ CRI 3500K
EBDX	Advance Mark 10 dimming ballast, phase control	LPT841HL	Installed T8/T5 hi lumen lamps 80+ CRI 4100K
EBSD	T8 electronic step dimming ballast, .88 ballast factor	1W	1-way gasketing between lens & door frame (not avail. w/ RA door)
EBD	Electronic dimming ballast, customer specified	2W	2-way gasketing, 1W + gasketing between door frame & housing
E1	B100 emerg. ballast, T8, 350-450 lumens, 120/277V	3W	3-way gasketing, 2W + gasketing for field installation between housing & ceiling
E1CAN	B100-CAN emerg. ballast, Canada market, T8, 350-450 lumens, 120/347V	SI	Specular Insert (reflector)
E7	B60 emerg. ballast, T8, 600-700 lumens, 120/277V	PAF	Housing painted after fabrication
E5	B50 emerg. ballast, U.S. or Canada market, T8, 1100-1400 lumens, UNV	CHIC	Chicago Plenum rated
E5CAN	B50-CAN emerg. ballast, Canada market, T8, 1100-1400 lumens, 120/347V		
E5ST	B50ST emerg. ballast w/self test, T8, 1100-1400 lumens, UNV		

Accessories (order separately)

FKDP22 Flange conversion kit 2x2
 FMA22 2'x2' "F" mounting frame for NEMA "F" mounting



2DP Designer recessed 2X2

2 or 3 lamp TT5

Application

- Premium quality recessed static troffer for:
 - Grid inverted T (NEMA “G”)
 - Flange for concealed mechanical suspension (NEMA “F”)

Construction/Finish

- Die formed steel housing
- Housing is multi-stage phosphate treated for maximum corrosion resistance and finish coat is high reflectance baked white enamel
- Factory installed access plate includes 7/8" hole, 7/8" knockout and grounding screw
- T-bar grid clips (UL listed) built into fixture, no extra parts required. Designed for use with standard grid ceiling members, 1-1/2" maximum height
- One-piece housing features integral end plates that increase rigidity and minimize damage from handling or shipping

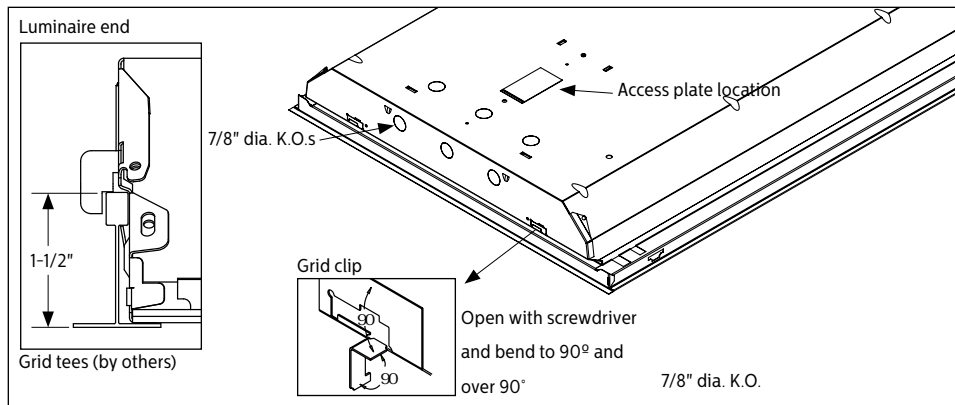
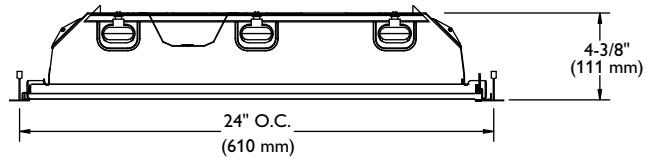
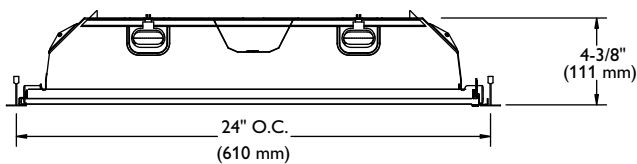
Electrical

- Class P, HPF ballasts comply with E Federal Ballast Law (Public Law 100-357, 1988)
- cULus listed for damp locations
- Self-contained fluorescent emergency power packs can be incorporated, UL listed for dry locations

Enclosure

- Mitered corner door frames with a choice of: Flat Steel, Flat Aluminum, or Regressed Aluminum
- T-hinges are standard for positive support of the enclosure
- Guide-post spring loaded latches are standard for ease of use and secure retention of the louver
- Mechanically designed interlocks block light, no gaskets are needed
- Prismatic acrylic pattern 12 lens standard (01). Other lenses or louvers optional
- Choice of door finishes: white (standard) or black

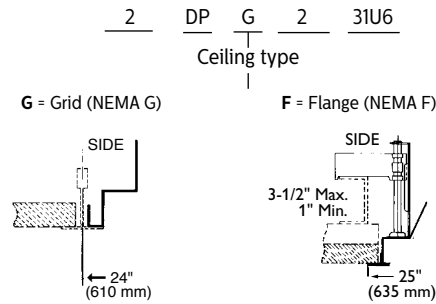
Dimensions



2DP Designer recessed 2X2

2 or 3 lamp TT5

Ceiling configuration



(NEMA Type G)
Lay-in acoustical ceilings using exposed grid suspension, with tees for luminaires on 24" x 24" spacing.

(NEMA Type F)
Flange for acoustical ceilings using concealed mechanical suspension. Swing-jack mounting brackets: adjustment 3-1/2" max. and 1" min. Refer to sheet 801-CL for output information.

Photometry

DP 2 Lamp 40WTT5 Efficiency – 84.4% LER – 68 TER – 60

Catalog No.	2DPG2CF40-FS01-1/2-EB	Candlepower				Light Distribution				Average Luminance								
Test No.	22748	Angle	End	45	Cross	Degrees	Lumens	% Lamp	% Luminaire	Angle	End	45'	Cross					
S/MH	1.4	0	2117	2117	2117	0-30	1675	26.6	31.5	45	5392	6042	6478					
Lamp Type	40WTT5	5	2110	2108	2115	0-40	2741	43.5	51.6	55	4366	4930	5105					
Lumens/Lamp	3150	10	2081	2090	2111	0-60	4507	71.5	84.8	65	3380	3173	3809					
Ballast Factor	0.96	15	2026	2058	2097	0-90	5314	84.4	100.0	75	3404	2428	3179					
Input Watts	75	20	1946	2008	2079	Coefficients of Utilization												
Comparative yearly lighting energy cost per 1000 lumens – \$3.53 based on 3000 hrs. and \$.08 pwr KWH. The photometric results were obtained in the Day-Brite laboratory which is NVLAP accredited by the National Institute of Standards and Technology.		25	1844	1938	2049	EFFECTIVE FLOOR CAVITY REFLECTANCE 20 PER (pfc=0.20)												
		30	1713	1842	1986	pcc	80			70			50					
		35	1563	1712	1871	pw	70	50	30	70	50	30	50	30				
		40	1386	1524	1671	RCR												
		45	1177	1319	1414	0	100	100	100	97	97	97	93	93				
		50	967	1107	1143	1	92	89	84	90	86	83	82	81				
		55	773	873	904	2	84	78	72	82	77	71	73	69				
		60	588	626	687	3	78	68	63	76	68	61	66	60				
		65	441	414	497	4	71	61	55	69	60	54	58	53				
		70	341	268	354	5	66	56	48	64	55	47	53	46				
		75	272	194	254	6	60	50	42	59	50	42	47	41				
80	206	157	186	7	56	46	39	55	45	38	44	38						
85	110	88	97	8	53	41	34	52	40	34	40	34						
				9	50	39	32	47	38	32	36	30						
				10	46	35	28	45	34	28	34	28						

DP 3 Lamp 40WTT5 Efficiency – 79.8% LER – 66 TER – 59

Catalog No.	2DPG3CF40-FS01-1/3-EB	Candlepower				Light Distribution				Average Luminance								
Test No.	22756	Angle	End	45	Cross	Degrees	Lumens	% Lamp	% Luminaire	Angle	End	45'	Cross					
S/MH	1.3	0	3101	3101	3101	0-30	2438	25.8	32.3	45	7838	8393	8727					
Lamp Type	40WTT5	5	3088	3081	3108	0-40	3951	41.8	52.4	55	6314	6760	7105					
Lumens/Lamp	3150	10	3041	3053	3096	0-60	6416	67.9	85.1	65	4821	4507	5243					
Ballast Factor	0.96	15	2963	3008	3072	0-90	7542	79.8	100.0	75	4869	3379	4456					
Input Watts	109	20	2843	2923	3030	Coefficients of Utilization												
Comparative yearly lighting energy cost per 1000 lumens – \$3.64 based on 3000 hrs. and \$.08 pwr KWH. The photometric results were obtained in the Day-Brite laboratory which is NVLAP accredited by the National Institute of Standards and Technology.		25	2688	2813	2948	EFFECTIVE FLOOR CAVITY REFLECTANCE 20 PER (pfc=0.20)												
		30	2502	2652	2795	pcc	80			70			50					
		35	2284	2430	2573	pw	70	50	30	70	50	30	50	30				
		40	2019	2153	2272	RCR												
		45	1711	1832	1905	0	94	94	94	93	93	93	89	89				
		50	1398	1512	1563	1	86	83	81	84	81	79	79	76				
		55	1118	1197	1258	2	80	73	68	78	72	68	69	66				
		60	846	876	955	3	73	66	59	71	65	58	61	57				
		65	629	588	684	4	68	58	52	66	57	52	56	51				
		70	485	375	495	5	63	53	46	60	52	46	50	45				
		75	389	270	356	6	57	47	40	56	46	40	46	40				
80	294	218	258	7	54	44	36	53	42	36	41	35						
85	154	119	140	8	50	40	34	48	40	33	38	33						
				9	46	36	30	46	35	29	34	29						
				10	44	34	28	42	34	28	33	27						

2DP Designer recessed 2X2

2 or 3 lamp TT5



Some luminaires use fluorescent or high intensity discharge (HID) lamps that contain small amounts of mercury. Such lamps are labeled, "Contain Mercury" and/or the symbol "HG". Lamps that contain mercury must be disposed of in accordance with local requirements. Information regarding lamp recycling and disposal can be found at www.lamprecycle.org

