

Day-Brite

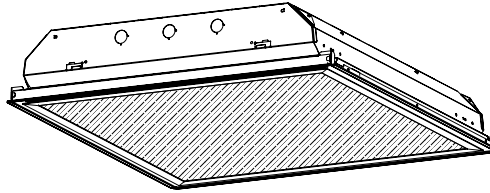
CFI

by @signify

Recessed

Designer 2x2

2 Lamp T8U 6"
2,3,or 4 Lamp T8, T5, T5HO
with air handling



Project: _____
Location: _____
Cat.No: _____
Type: _____
Lamps: _____ Qty: _____
Notes: _____

Day-Brite / CFI Designer is a premium grade recessed luminaire. Multiple options in door frames, lenses, air handling, and ceiling types provide versatility to meet the needs of many applications.

Ordering guide

Example: 2DPGA317-FA01-UNV-1/3-EBHE-LPT835HL

Width	Family	Ceiling type	Air function	No. of lamps (not included)	Lamp type/Wattage	Door frame	Lens	Voltage	Door finish
2									
2 2'	DP Designer	G Grid F Flange	S Static (no air function) but with black reveal A Air Supply H Heat Transfer C Combination (A&H)	2 3 4	31U6 31WT8 6" (24") 14 14WT5 (22") 17 17WT8 (24") 24HO 24WT5HO (22")	FA Flat Aluminum RA Regressed Aluminum	01 Pattern 12 prismatic acrylic 08 Frost glaze (opal), .187" nominal 12 K-12, .125" nominal 19 K-19, .156" nominal 21 Pattern 12, .125" nominal	120 120V 277 277V 347 347V UNV Universal voltage 120-277V	BLANK White B Black Door

Options

1/2	One 2 lamp ballast	E5CAN	B50-CAN emerg. ballast, Canada market, T8, 1100-1400 lumens, 120/347V
1/3	One 3 lamp ballast	E5ST	B50ST emerg. ballast w/self test, T8, 1100-1400 lumens, UNV
1/21	2 lamp and 1 lamp ballasts	E7LP	LP550 emerg. ballast T5/T5HO, 430-700 lumens, 120/277V
1/4	One 4 lamp ballast	E6LP	LP600 emerg. ballast U.S. or Canada market, T5/T5HO, 750-1325 lumens, 120/277V
2/2	Two 2 lamp ballasts	F1	3/8" flex, 3 wire 18 gauge 6'
APC	Air pattern control blade	F2	3/8" flex, 4 wire 18 gauge 6'
ASC	Snap out air slot covers one 1-lamp ballast	F2/5W	3/8" single flex, 5 wire 18 gauge 6' for dimmable luminaires
EB	Electronic ballast, <10% THD std. ballast factor	GLR	Fusing, fast blow
EB10R	T8 electronic ballast, program rapid start, <10% THD	LPT830	Installed T8/T5/T5HO lamps 80+ CRI 3000K
EBHE	T8 electronic ballast, high efficiency, std. ballast factor	LPT835	Installed T8/T5/T5HO lamps 80+ CRI 3500K
EBLHE	T8 electronic ballast, high efficiency, low ballast factor	LPT841	Installed T8/T5/T5HO lamps 80+ CRI 4100K
EBHHE	T8 electronic ballast, high efficiency, high ballast factor	LPT830HL	Installed T8/T5 hi lumen lamps 80+ CRI 3000K
EBD7	Advance Mark 7 dimming ballast, 0-10V (low voltage) control	LPT835HL	Installed T8/T5 hi lumen lamps 80+ CRI 3500K
EBDX	Advance Mark 10 dimming ballast, phase control	LPT841HL	Installed T8/T5 hi lumen lamps 80+ CRI 4100K
EBSD	T8 electronic step dimming ballast, .88 ballast factor	2W	2-way gasketing, 1W + gasketing between door frame & housing
EBD	Electronic dimming ballast, customer specified	3W	3-way gasketing, 2W + gasketing for field installation between housing & ceiling
E1	B100 emerg. ballast, T8, 350-450 lumens, 120/277V	SI	Specular Insert (reflector)
E1CAN	B100-CAN emerg. ballast, Canada market, T8, 350-450 lumens, 120/347V	PAF	Housing painted after fabrication
E7	B60 emerg. ballast, T8, 600-700 lumens, 120/277V	CHIC	Chicago Plenum rated
E5	B50 emerg. ballast, U.S. or Canada market, T8, 1100-1400 lumens, UNV	WR	White reveal

1. 2 lamp only

Accessories (order separately)

FKDP22 Flange conversion kit 2x2
FMA22 2'x2' "F" mounting frame for NEMA "F" mounting



2DP Designer recessed 2X2

2, 3, or 4 lamp T8, T5, T5HO

Application

- Premium quality recessed air handling troffer for:
 - Grid inverted T (NEMA “G”) ceilings
 - Flange for concealed mechanical suspension (NEMA “F”)
- Select one of the four air handling functions:
 - Static; non-air handling
 - Heat transfer; air return through lamp compartment
 - Air supply; (or air return) through side slots, adjustable pattern control blade is optional
 - Combination; both heat transfer and air supply features listed above
- Air handling or combination models are available with optional factory installed snap-in air slot covers (ASC) or adjustable air pattern control blades (APC)
- Air boots by others

Construction/Finish

- Housing is multi-stage phosphate treated for maximum corrosion resistance and finish coat is high reflectance baked white enamel
- Factory installed access plate includes 7/8” hole, 7/8” knockout and grounding screw
- Flat black finish inside perimeter reveal for “floating door” appearance
- T-bar grid clips (UL listed) built into fixture, no extra parts required. Designed for use with standard grid ceiling members, 1-1/2” maximum height
- One-piece housing features integral end plates that increase rigidity and minimize damage from handling or shipping

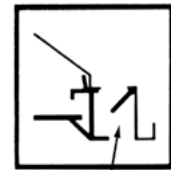
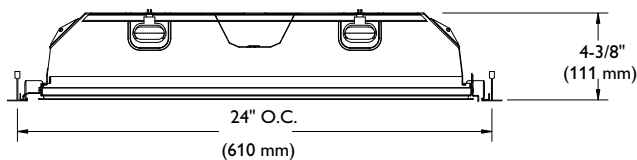
Electrical

- Class P, HPF ballasts comply with E Federal Ballast Law (Public Law 100-357, 1988)
- UL listed for damp locations. Canadian certified optional
- Self-contained fluorescent emergency power packs can be incorporated, UL listed for dry locations

Enclosure

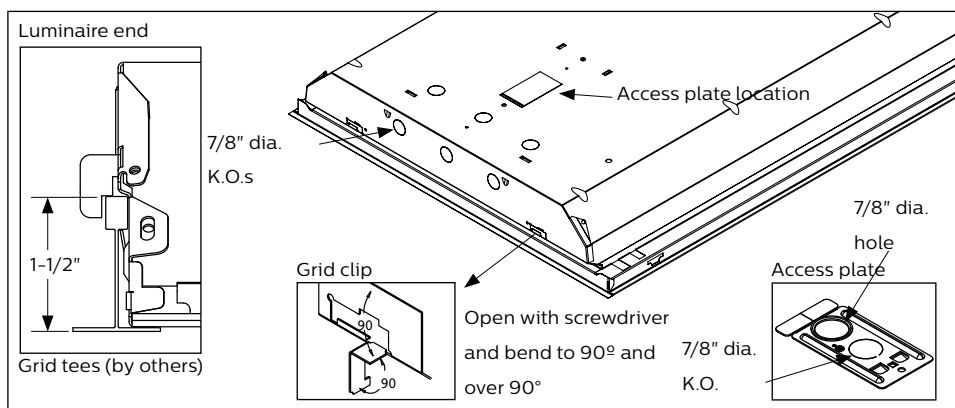
- Mitered corner door frames with a choice of Flat Aluminum or Regressed Aluminum
- Door frames standard with guide post spring loaded latches
- Mechanically designed interlocks block light, no gaskets are needed
- Prismatic acrylic pattern 12 lens standard (01)
- Other lenses or louvers optional
- Choice of door finishes: white (standard), or black
- T-hinges are standard for positive support of the enclosure

Dimensions



Optional Air Pattern Control (on Air and Combination Units)

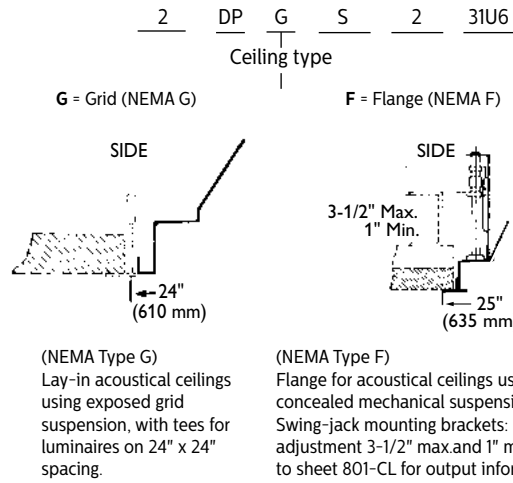
- Fully adjustable
- Closed= Static
- 45°= Horizontal Air Supply
- 90°= (fully open) – Vertical Air Supply
- Side Slots may also be used for Return Air to Plenum



2DP Designer recessed 2X2

2, 3, or 4 lamp T8, T5, T5HO

Ceiling configuration



Photometry

Designer 2x2 2 Lamp 31U6 Efficiency - 73% LER - 64 TER - 57

Catalog No. 2DPGS231U6-FA01-1/2-EB Test No. 22786 S/MH 1.3 Lamp Type FB031 Lumens/Lamp 2800 Ballast Factor 0.88 Input Watts 56 Comparative yearly lighting energy cost per 1000 lumens – \$3.29 based on 3000 hrs. and \$.08 pwr KWH. The photometric results were obtained in the Day-Brite laboratory which is NVLAP accredited by the National Institute of Standards and Technology.	Candlepower				Light Distribution			Average Luminance																																																																																																													
	<table border="1"> <thead> <tr> <th>Angle</th> <th>End</th> <th>45</th> <th>Cross</th> </tr> </thead> <tbody> <tr><td>0</td><td>1703</td><td>1703</td><td>1703</td></tr> <tr><td>5</td><td>1686</td><td>1698</td><td>1703</td></tr> <tr><td>10</td><td>1658</td><td>1678</td><td>1691</td></tr> <tr><td>15</td><td>1611</td><td>1644</td><td>1670</td></tr> <tr><td>20</td><td>1543</td><td>1595</td><td>1635</td></tr> <tr><td>25</td><td>1458</td><td>1526</td><td>1580</td></tr> <tr><td>30</td><td>1350</td><td>1429</td><td>1497</td></tr> <tr><td>35</td><td>1225</td><td>1311</td><td>1383</td></tr> <tr><td>40</td><td>1085</td><td>1162</td><td>1241</td></tr> <tr><td>45</td><td>922</td><td>985</td><td>1073</td></tr> <tr><td>50</td><td>751</td><td>805</td><td>870</td></tr> <tr><td>55</td><td>581</td><td>632</td><td>692</td></tr> <tr><td>60</td><td>430</td><td>453</td><td>510</td></tr> <tr><td>65</td><td>320</td><td>305</td><td>368</td></tr> <tr><td>70</td><td>253</td><td>204</td><td>265</td></tr> <tr><td>75</td><td>204</td><td>156</td><td>194</td></tr> <tr><td>80</td><td>152</td><td>127</td><td>145</td></tr> <tr><td>85</td><td>81</td><td>72</td><td>78</td></tr> </tbody> </table>	Angle	End	45	Cross	0	1703	1703	1703	5	1686	1698	1703	10	1658	1678	1691	15	1611	1644	1670	20	1543	1595	1635	25	1458	1526	1580	30	1350	1429	1497	35	1225	1311	1383	40	1085	1162	1241	45	922	985	1073	50	751	805	870	55	581	632	692	60	430	453	510	65	320	305	368	70	253	204	265	75	204	156	194	80	152	127	145	85	81	72	78	<table border="1"> <thead> <tr> <th>Degrees</th> <th>Lumens</th> <th>% Luminaire</th> </tr> </thead> <tbody> <tr><td>0-30</td><td>1326</td><td>32.5</td></tr> <tr><td>0-40</td><td>2141</td><td>52.5</td></tr> <tr><td>0-60</td><td>3464</td><td>85</td></tr> <tr><td>0-90</td><td>4074</td><td>100</td></tr> </tbody> </table>	Degrees	Lumens	% Luminaire	0-30	1326	32.5	0-40	2141	52.5	0-60	3464	85	0-90	4074	100	<table border="1"> <thead> <tr> <th>Zone</th> <th>End</th> <th>45°</th> <th>Cross</th> </tr> </thead> <tbody> <tr><td>45</td><td>4809</td><td>5138</td><td>5597</td></tr> <tr><td>55</td><td>3736</td><td>4064</td><td>4450</td></tr> <tr><td>65</td><td>2793</td><td>2662</td><td>3212</td></tr> <tr><td>75</td><td>2907</td><td>2223</td><td>2765</td></tr> <tr><td>85</td><td>3428</td><td>3047</td><td>3301</td></tr> </tbody> </table>	Zone	End	45°	Cross	45	4809	5138	5597	55	3736	4064	4450	65	2793	2662	3212	75	2907	2223	2765	85	3428	3047
Angle	End	45	Cross																																																																																																																		
0	1703	1703	1703																																																																																																																		
5	1686	1698	1703																																																																																																																		
10	1658	1678	1691																																																																																																																		
15	1611	1644	1670																																																																																																																		
20	1543	1595	1635																																																																																																																		
25	1458	1526	1580																																																																																																																		
30	1350	1429	1497																																																																																																																		
35	1225	1311	1383																																																																																																																		
40	1085	1162	1241																																																																																																																		
45	922	985	1073																																																																																																																		
50	751	805	870																																																																																																																		
55	581	632	692																																																																																																																		
60	430	453	510																																																																																																																		
65	320	305	368																																																																																																																		
70	253	204	265																																																																																																																		
75	204	156	194																																																																																																																		
80	152	127	145																																																																																																																		
85	81	72	78																																																																																																																		
Degrees	Lumens	% Luminaire																																																																																																																			
0-30	1326	32.5																																																																																																																			
0-40	2141	52.5																																																																																																																			
0-60	3464	85																																																																																																																			
0-90	4074	100																																																																																																																			
Zone	End	45°	Cross																																																																																																																		
45	4809	5138	5597																																																																																																																		
55	3736	4064	4450																																																																																																																		
65	2793	2662	3212																																																																																																																		
75	2907	2223	2765																																																																																																																		
85	3428	3047	3301																																																																																																																		
Coefficients of Utilization																																																																																																																					
EFFECTIVE FLOOR CAVITY REFLECTANCE 20 PER (pfc=0.20)																																																																																																																					
pfc =	20	80	70	50																																																																																																																	
Ceil																																																																																																																					
Wall	70	50	30	70	50	30	50	30																																																																																																													
RCR																																																																																																																					
0	86	86	86	84	84	84	81	81																																																																																																													
1	80	77	73	78	75	71	71	69																																																																																																													
2	72	68	63	70	66	61	64	59																																																																																																													
3	67	59	55	65	58	54	56	52																																																																																																													
4	61	54	47	59	53	46	51	46																																																																																																													
5	56	47	41	56	47	41	46	40																																																																																																													
6	53	44	38	52	42	36	41	36																																																																																																													
7	48	40	34	47	39	34	38	33																																																																																																													
8	46	36	30	45	35	29	34	29																																																																																																													
9	42	34	28	41	33	28	32	27																																																																																																													
10	40	30	26	40	30	25	29	25																																																																																																													

Designer 2x2 4 Lamp T8 Efficiency - 77% LER - 59 TER - 53

Catalog No. 2DPGS417-FA01-1/4-EB Test No. 22866 S/MH 1.3 Lamp Type F17T8 Lumens/Lamp 1325 Ballast Factor 0.88 Input Watts 61 Comparative yearly lighting energy cost per 1000 lumens – \$3.58 based on 3000 hrs. and \$.08 pwr KWH. The photometric results were obtained in the Day-Brite laboratory which is NVLAP accredited by the National Institute of Standards and Technology.	Candlepower				Light Distribution			Average Luminance																																																																																																													
	<table border="1"> <thead> <tr> <th>Angle</th> <th>End</th> <th>45</th> <th>Cross</th> </tr> </thead> <tbody> <tr><td>0</td><td>1674</td><td>1674</td><td>1674</td></tr> <tr><td>5</td><td>1666</td><td>1665</td><td>1671</td></tr> <tr><td>10</td><td>1640</td><td>1647</td><td>1661</td></tr> <tr><td>15</td><td>1595</td><td>1616</td><td>1643</td></tr> <tr><td>20</td><td>1530</td><td>1571</td><td>1612</td></tr> <tr><td>25</td><td>1445</td><td>1506</td><td>1564</td></tr> <tr><td>30</td><td>1340</td><td>1420</td><td>1493</td></tr> <tr><td>35</td><td>1219</td><td>1305</td><td>1390</td></tr> <tr><td>40</td><td>1077</td><td>1158</td><td>1255</td></tr> <tr><td>45</td><td>917</td><td>991</td><td>1077</td></tr> <tr><td>50</td><td>753</td><td>833</td><td>904</td></tr> <tr><td>55</td><td>596</td><td>672</td><td>732</td></tr> <tr><td>60</td><td>454</td><td>494</td><td>557</td></tr> <tr><td>65</td><td>340</td><td>327</td><td>397</td></tr> <tr><td>70</td><td>261</td><td>208</td><td>278</td></tr> <tr><td>75</td><td>211</td><td>148</td><td>197</td></tr> <tr><td>80</td><td>158</td><td>120</td><td>143</td></tr> <tr><td>85</td><td>80</td><td>68</td><td>72</td></tr> </tbody> </table>	Angle	End	45	Cross	0	1674	1674	1674	5	1666	1665	1671	10	1640	1647	1661	15	1595	1616	1643	20	1530	1571	1612	25	1445	1506	1564	30	1340	1420	1493	35	1219	1305	1390	40	1077	1158	1255	45	917	991	1077	50	753	833	904	55	596	672	732	60	454	494	557	65	340	327	397	70	261	208	278	75	211	148	197	80	158	120	143	85	80	68	72	<table border="1"> <thead> <tr> <th>Degrees</th> <th>Lumens</th> <th>% Luminaire</th> </tr> </thead> <tbody> <tr><td>0-30</td><td>1307</td><td>31.9</td></tr> <tr><td>0-40</td><td>2121</td><td>51.7</td></tr> <tr><td>0-60</td><td>3478</td><td>84.8</td></tr> <tr><td>0-90</td><td>4101</td><td>100</td></tr> </tbody> </table>	Degrees	Lumens	% Luminaire	0-30	1307	31.9	0-40	2121	51.7	0-60	3478	84.8	0-90	4101	100	<table border="1"> <thead> <tr> <th>Zone</th> <th>End</th> <th>45°</th> <th>Cross</th> </tr> </thead> <tbody> <tr><td>45</td><td>4201</td><td>4540</td><td>4934</td></tr> <tr><td>55</td><td>3366</td><td>3795</td><td>4134</td></tr> <tr><td>65</td><td>2606</td><td>2506</td><td>3043</td></tr> <tr><td>75</td><td>2641</td><td>1852</td><td>2466</td></tr> <tr><td>85</td><td>2973</td><td>2527</td><td>2676</td></tr> </tbody> </table>	Zone	End	45°	Cross	45	4201	4540	4934	55	3366	3795	4134	65	2606	2506	3043	75	2641	1852	2466	85	2973	2527
Angle	End	45	Cross																																																																																																																		
0	1674	1674	1674																																																																																																																		
5	1666	1665	1671																																																																																																																		
10	1640	1647	1661																																																																																																																		
15	1595	1616	1643																																																																																																																		
20	1530	1571	1612																																																																																																																		
25	1445	1506	1564																																																																																																																		
30	1340	1420	1493																																																																																																																		
35	1219	1305	1390																																																																																																																		
40	1077	1158	1255																																																																																																																		
45	917	991	1077																																																																																																																		
50	753	833	904																																																																																																																		
55	596	672	732																																																																																																																		
60	454	494	557																																																																																																																		
65	340	327	397																																																																																																																		
70	261	208	278																																																																																																																		
75	211	148	197																																																																																																																		
80	158	120	143																																																																																																																		
85	80	68	72																																																																																																																		
Degrees	Lumens	% Luminaire																																																																																																																			
0-30	1307	31.9																																																																																																																			
0-40	2121	51.7																																																																																																																			
0-60	3478	84.8																																																																																																																			
0-90	4101	100																																																																																																																			
Zone	End	45°	Cross																																																																																																																		
45	4201	4540	4934																																																																																																																		
55	3366	3795	4134																																																																																																																		
65	2606	2506	3043																																																																																																																		
75	2641	1852	2466																																																																																																																		
85	2973	2527	2676																																																																																																																		
Coefficients of Utilization																																																																																																																					
EFFECTIVE FLOOR CAVITY REFLECTANCE 20 PER (pfc=0.20)																																																																																																																					
pfc =	20	80	70	50																																																																																																																	
Ceil																																																																																																																					
Wall	70	50	30	70	50	30	50	30																																																																																																													
RCR																																																																																																																					
0	92	92	92	90	90	90	85	85																																																																																																													
1	84	81	78	82	80	77	76	73																																																																																																													
2	78	71	67	76	69	66	68	64																																																																																																													
3	70	64	57	68	63	56	59	56																																																																																																													
4	66	56	51	64	56	50	54	48																																																																																																													
5	60	51	45	58	50	44	48	42																																																																																																													
6	56	46	40	55	46	39	44	39																																																																																																													
7	52	41	35	51	41	34	40	34																																																																																																													
8	48	39	32	47	38	32	36	32																																																																																																													
9	46	35	28	44	34	28	34	28																																																																																																													
10	42	33	27	41	32	27	32	26																																																																																																													

2DP Designer recessed 2X2

2, 3, or 4 lamp T8, T5, T5HO

Designer 2x2 4 Lamp T5HO Efficiency - 80% LER - 59 TER - 52

Catalog No. 2DPG424HO-FA01-2/2-EB Test No. 29140 S/MH 1.32 Lamp Type F24T5HO Lumens/Lamp 2800 Ballast Factor 0.88 Input Watts 96 Comparative yearly lighting energy cost per 1000 lumens – \$4.07 based on 3000 hrs. and \$.08 pwr KWH. The photometric results were obtained in the Day-Brite laboratory which is NVLAP accredited by the National Institute of Standards and Technology.	Candlepower				Light Distribution			Average Luminance			
	Angle 0 5 10 15 20 25 30 35 40 45 50 55 60 65 70 75 80 85	End 2274 2240 2215 2161 2090 1986 1854 1688 1492 1263 1025 805 614 455 337 248 179 95	45 2274 2279 2258 2216 2155 2071 1956 1801 1614 1391 1154 916 666 434 275 196 157 88	Cross 2274 2266 2253 2222 2179 2104 2007 1881 1727 1519 1270 1002 739 522 380 299 226 119	Degrees 0-30 0-40 0-60 0-90	Lumens 1791 2913 4792 5629	% Luminaire 31.8 51.8 85.1 100	Zone 45 55 65 75 85	End 5720 4495 3448 3069 3491	45' 6300 5114 3289 2425 3234	Cross 6880 5595 3956 3700 4373
Coefficients of Utilization											
EFFECTIVE FLOOR CAVITY REFLECTANCE 20 PER (pfc=0.20)											
pfc =	20	80			70				50		
Ceil											
Wall	70	50	30	70	50	30	50	30			
RCR											
0	94	94	94	93	93	93	89	89			
1	88	83	81	85	81	79	79	77			
2	80	73	68	78	72	68	69	66			
3	73	66	59	71	65	58	61	57			
4	68	58	52	66	57	52	56	51			
5	63	53	46	60	52	46	50	45			
6	57	47	40	56	46	40	46	40			
7	54	44	36	53	42	36	41	35			
8	50	40	33	48	39	33	38	33			
9	46	36	29	46	35	29	34	29			
10	44	34	28	42	34	28	33	27			



Some luminaires use fluorescent or high intensity discharge (HID) lamps that contain small amounts of mercury. Such lamps are labeled, "Contain Mercury" and/or the symbol "HG". Lamps that contain mercury must be disposed of in accordance with local requirements. Information regarding lamp recycling and disposal can be found at www.lamprecycle.org

