

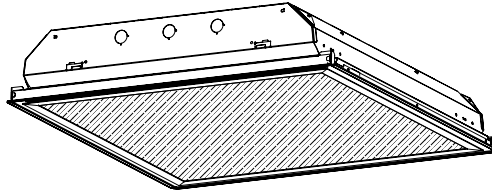
# Day-Brite CFI

by  Signify

## Recessed

Designer 2x2

2 or 3 lamp TT5  
with air handling



Project: \_\_\_\_\_  
 Location: \_\_\_\_\_  
 Cat.No: \_\_\_\_\_  
 Type: \_\_\_\_\_  
 Lamps: \_\_\_\_\_ Qty: \_\_\_\_\_  
 Notes: \_\_\_\_\_

Day-Brite / CFI Designer is a premium grade recessed luminaire. Multiple options in door frames, lenses, air handling, and ceiling types provide versatility to meet the needs of many applications.

### Ordering guide Example:

**2DPGA317-FA01-UNV-1/3-EBHE-LPT835HL**

Width	Family	Ceiling type	Air function	No. of lamps (not included)	Lamp type/Wattage	Door frame	Lens	Voltage	Door finish
2									
2 2'	DP Designer	G Grid F Flange	S Static (no air function) but with black reveal A Air Supply H Heat Transfer C Combination (A&H)	2 3	CF40 40WTT5 (24") CF50 50WTT5 (24") CF55 55WTT5 (24")	FA Flat Aluminum RA Regressed Aluminum	01 Pattern 12 prismatic acrylic 08 Frost glaze (opal), .187" nominal 12 K-12, .125" nominal 19 K-19, .156" nominal 21 Pattern 12, .125" nominal	120 120V 277 277V 347 347V UNV Universal voltage 120-277V	BLANK White B Black Door

### Options

1/2	One 2 lamp ballast	F1	3/8" flex, 3 wire 18 gauge 6'
1/3	One 3 lamp ballast	F2	3/8" flex, 4 wire 18 gauge 6'
1/21	2 lamp and 1 lamp ballasts	F2/5W	3/8" single flex, 5 wire 18 gauge 6' for dimmable luminaires
APC	Air pattern control blade	GLR	Fusing, fast blow
ASC	Snap out air slot covers one 1-lamp ballast	2W	2-way gasketing, 1W + gasketing between door frame & housing
EB	Electronic ballast, <10% THD std. ballast factor	3W	3-way gasketing, 2W + gasketing for field installation between housing & ceiling
EB10R	T8 electronic ballast, program rapid start, <10% THD	SI	Specular Insert (reflector)
EBD7	Advance Mark 7 dimming ballast, 0-10V (low voltage) control	PAF	Housing painted after fabrication
EBDX	Advance Mark 10 dimming ballast, phase control	CHIC	Chicago Plenum rated
EBD	Electronic dimming ballast, customer specified	WR	White reveal
E7	B60 emerg. ballast, T8, 600-700 lumens, 120/277V		
E5	B50 emerg. ballast, U.S. or Canada market, T8, 1100-1400 lumens, UNV		
E5CAN	B50-CAN emerg. ballast, Canada market, T8, 1100-1400 lumens, 120/347V		

### Accessories (order separately)

FKDP22 Flange conversion kit 2x2  
 FMA22 2'x2' "F" mounting frame for NEMA "F" mounting



# 2DP Designer recessed 2X2

2 or 3 lamp TT5

## Application

- Premium quality recessed air handling troffer for:
  - Grid inverted T (NEMA “G”) ceilings
  - Flange for concealed mechanical suspension (NEMA “F”)
- Select one of the four air handling functions:
  - Static; non-air handling
  - Heat transfer; air return through lamp compartment
  - Air supply; (or air return) through side slots, adjustable pattern control blade is optional
  - Combination; both heat transfer and air supply features listed above
- Air handling or combination models are available with optional factory installed snap-in air slot covers (ASC) or adjustable air pattern control blades (APC)
- Air boots by others

## Construction/Finish

- Housing is multi-stage phosphate treated for maximum corrosion resistance and finish coat is high reflectance baked white enamel
- Factory installed access plate includes 7/8” hole, 7/8” knockout and grounding screw
- Flat black finish inside perimeter reveal for “floating door” appearance
- T-bar grid clips (UL listed) built into fixture, no extra parts required. Designed for use with standard grid ceiling members, 1-1/2” maximum height
- One-piece housing features integral end plates that increase rigidity and minimize damage from handling or shipping

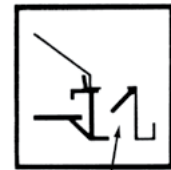
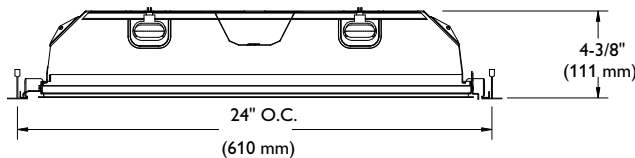
## Electrical

- Class P, HPF ballasts comply with E Federal Ballast Law (Public Law 100-357, 1988)
- cULus listed for damp locations
- Self-contained fluorescent emergency power packs can be incorporated, UL listed for dry locations

## Enclosure

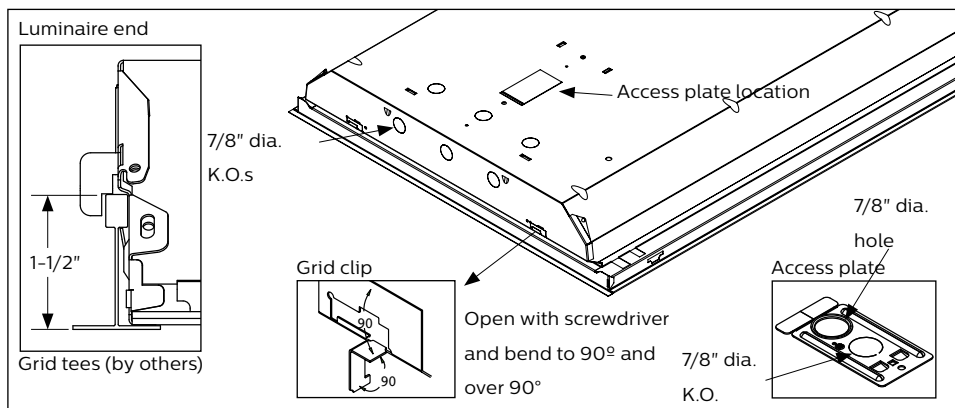
- Mitered corner door frames with a choice of Flat Aluminum or Regressed Aluminum
- Door frames standard with guide post spring loaded latches
- Mechanically designed interlocks block light, no gaskets are needed
- Prismatic acrylic pattern 12 lens standard (01)
- Other lenses or louvers optional
- Choice of door finishes: white (standard), or black
- T-hinges are standard for positive support of the enclosure

## Dimensions



### Optional Air Pattern Control (on Air and Combination Units)

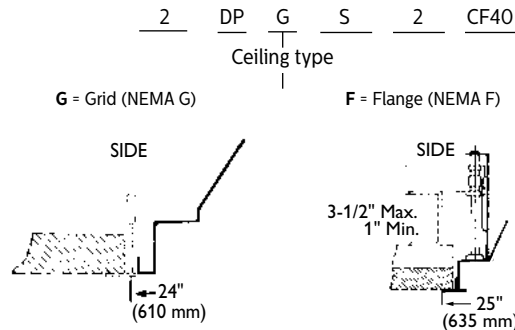
- Fully adjustable
- Closed= Static
- 45°= Horizontal Air Supply
- 90°= (fully open) – Vertical Air Supply
- Side Slots may also be used for Return Air to Plenum



# 2DP Designer recessed 2X2

2 or 3 lamp TT5

## Ceiling configuration



## Photometry

### DPGA 2x2 2 Lamp T5 Efficiency – 80.5% LER – 65 TER – 57

<b>Catalog No.</b> 2DPGS2CF40-FA01-1/2-EB <b>Test No.</b> 22750 <b>S/MH</b> 1.4 <b>Lamp Type</b> 40WTT5 <b>Lumens/Lamp</b> 3150 <b>Ballast Factor</b> 0.96 <b>Input Watts</b> 75  Comparative yearly lighting energy cost per 1000 lumens – <b>\$3.69</b> based on 3000 hrs. and \$.08 pwr KWH.  The photometric results were obtained in the Day-Brite laboratory which is NVLAP accredited by the National Institute of Standards and Technology.	<b>Candlepower</b>				<b>Light Distribution</b>				<b>Average Luminance</b>																																																																																																																	
	<table border="1"> <thead> <tr> <th>Angle</th> <th>End</th> <th>45</th> <th>Cross</th> </tr> </thead> <tbody> <tr><td>0</td><td>2072</td><td>2072</td><td>2072</td></tr> <tr><td>5</td><td>2062</td><td>2067</td><td>2073</td></tr> <tr><td>10</td><td>2030</td><td>2047</td><td>2068</td></tr> <tr><td>15</td><td>1978</td><td>2014</td><td>2056</td></tr> <tr><td>20</td><td>1894</td><td>1963</td><td>2043</td></tr> <tr><td>25</td><td>1785</td><td>1894</td><td>2007</td></tr> <tr><td>30</td><td>1647</td><td>1797</td><td>1945</td></tr> <tr><td>35</td><td>1494</td><td>1662</td><td>1814</td></tr> <tr><td>40</td><td>1323</td><td>1477</td><td>1607</td></tr> <tr><td>45</td><td>1124</td><td>1261</td><td>1354</td></tr> <tr><td>50</td><td>907</td><td>1027</td><td>1065</td></tr> <tr><td>55</td><td>704</td><td>789</td><td>829</td></tr> <tr><td>60</td><td>526</td><td>558</td><td>626</td></tr> <tr><td>65</td><td>394</td><td>373</td><td>449</td></tr> <tr><td>70</td><td>309</td><td>251</td><td>320</td></tr> <tr><td>75</td><td>252</td><td>189</td><td>235</td></tr> <tr><td>80</td><td>194</td><td>155</td><td>175</td></tr> <tr><td>85</td><td>104</td><td>89</td><td>93</td></tr> </tbody> </table>	Angle	End	45	Cross	0	2072	2072	2072	5	2062	2067	2073	10	2030	2047	2068	15	1978	2014	2056	20	1894	1963	2043	25	1785	1894	2007	30	1647	1797	1945	35	1494	1662	1814	40	1323	1477	1607	45	1124	1261	1354	50	907	1027	1065	55	704	789	829	60	526	558	626	65	394	373	449	70	309	251	320	75	252	189	235	80	194	155	175	85	104	89	93	<table border="1"> <thead> <tr> <th>Degrees</th> <th>Lumens</th> <th>% Lamp</th> <th>% Luminaire</th> </tr> </thead> <tbody> <tr><td>0-30</td><td>1637</td><td>26.0</td><td>32.3</td></tr> <tr><td>0-40</td><td>2668</td><td>42.3</td><td>52.6</td></tr> <tr><td>0-60</td><td>4318</td><td>68.5</td><td>85.2</td></tr> <tr><td>0-90</td><td>5069</td><td>80.5</td><td>100.0</td></tr> </tbody> </table>	Degrees	Lumens	% Lamp	% Luminaire	0-30	1637	26.0	32.3	0-40	2668	42.3	52.6	0-60	4318	68.5	85.2	0-90	5069	80.5	100.0	<table border="1"> <thead> <tr> <th>Angle</th> <th>End</th> <th>45°</th> <th>Cross</th> </tr> </thead> <tbody> <tr><td>45</td><td>5863</td><td>6577</td><td>7063</td></tr> <tr><td>55</td><td>4527</td><td>5074</td><td>5331</td></tr> <tr><td>65</td><td>3439</td><td>3255</td><td>3919</td></tr> <tr><td>75</td><td>3591</td><td>2693</td><td>3349</td></tr> <tr><td>85</td><td>4401</td><td>3766</td><td>3936</td></tr> </tbody> </table>	Angle	End	45°	Cross	45	5863	6577	7063	55	4527	5074	5331	65	3439	3255	3919	75	3591	2693	3349	85	4401	3766
Angle	End	45	Cross																																																																																																																							
0	2072	2072	2072																																																																																																																							
5	2062	2067	2073																																																																																																																							
10	2030	2047	2068																																																																																																																							
15	1978	2014	2056																																																																																																																							
20	1894	1963	2043																																																																																																																							
25	1785	1894	2007																																																																																																																							
30	1647	1797	1945																																																																																																																							
35	1494	1662	1814																																																																																																																							
40	1323	1477	1607																																																																																																																							
45	1124	1261	1354																																																																																																																							
50	907	1027	1065																																																																																																																							
55	704	789	829																																																																																																																							
60	526	558	626																																																																																																																							
65	394	373	449																																																																																																																							
70	309	251	320																																																																																																																							
75	252	189	235																																																																																																																							
80	194	155	175																																																																																																																							
85	104	89	93																																																																																																																							
Degrees	Lumens	% Lamp	% Luminaire																																																																																																																							
0-30	1637	26.0	32.3																																																																																																																							
0-40	2668	42.3	52.6																																																																																																																							
0-60	4318	68.5	85.2																																																																																																																							
0-90	5069	80.5	100.0																																																																																																																							
Angle	End	45°	Cross																																																																																																																							
45	5863	6577	7063																																																																																																																							
55	4527	5074	5331																																																																																																																							
65	3439	3255	3919																																																																																																																							
75	3591	2693	3349																																																																																																																							
85	4401	3766	3936																																																																																																																							
<b>Coefficients of Utilization</b>																																																																																																																										
<b>EFFECTIVE FLOOR CAVITY REFLECTANCE 20 PER (pfc=0.20)</b>																																																																																																																										
pcc	80			70			50																																																																																																																			
	pw	70	50	30	70	50	30	50	30																																																																																																																	
RCR																																																																																																																										
0	95	95	95	93	93	93	89	89																																																																																																																		
1	88	84	81	85	82	80	79	77																																																																																																																		
2	81	75	69	79	72	68	69	67																																																																																																																		
3	73	66	59	71	65	59	63	57																																																																																																																		
4	68	58	53	67	57	52	56	51																																																																																																																		
5	63	54	46	61	53	46	51	45																																																																																																																		
6	58	47	41	56	47	40	46	40																																																																																																																		
7	55	44	36	53	44	36	41	36																																																																																																																		
8	51	40	34	50	40	34	39	33																																																																																																																		
9	47	36	30	46	36	30	35	29																																																																																																																		
10	45	34	28	44	34	28	33	28																																																																																																																		

### DPGA 2x2 3 Lamp T5 Efficiency – 76.3% LER – 63 TER – 56

<b>Catalog No.</b> 2DPGS3CF40-FA01-1/3-EB <b>Test No.</b> 22759 <b>S/MH</b> 1.3 <b>Lamp Type</b> 40WTT5 <b>Lumens/Lamp</b> 3150 <b>Ballast Factor</b> 0.96 <b>Input Watts</b> 110  Comparative yearly lighting energy cost per 1000 lumens – <b>\$3.81</b> based on 3000 hrs. and \$.08 pwr KWH.  The photometric results were obtained in the Day-Brite laboratory which is NVLAP accredited by the National Institute of Standards and Technology.	<b>Candlepower</b>				<b>Light Distribution</b>				<b>Average Luminance</b>																																																																																																																	
	<table border="1"> <thead> <tr> <th>Angle</th> <th>End</th> <th>45</th> <th>Cross</th> </tr> </thead> <tbody> <tr><td>0</td><td>3063</td><td>3063</td><td>3063</td></tr> <tr><td>5</td><td>3038</td><td>3047</td><td>3078</td></tr> <tr><td>10</td><td>2988</td><td>3016</td><td>3066</td></tr> <tr><td>15</td><td>2903</td><td>2957</td><td>3031</td></tr> <tr><td>20</td><td>2777</td><td>2872</td><td>2979</td></tr> <tr><td>25</td><td>2615</td><td>2750</td><td>2879</td></tr> <tr><td>30</td><td>2413</td><td>2572</td><td>2708</td></tr> <tr><td>35</td><td>2181</td><td>2340</td><td>2468</td></tr> <tr><td>40</td><td>1930</td><td>2062</td><td>2187</td></tr> <tr><td>45</td><td>1635</td><td>1728</td><td>1850</td></tr> <tr><td>50</td><td>1315</td><td>1398</td><td>1486</td></tr> <tr><td>55</td><td>1016</td><td>1094</td><td>1178</td></tr> <tr><td>60</td><td>752</td><td>779</td><td>873</td></tr> <tr><td>65</td><td>560</td><td>522</td><td>629</td></tr> <tr><td>70</td><td>439</td><td>351</td><td>451</td></tr> <tr><td>75</td><td>362</td><td>267</td><td>331</td></tr> <tr><td>80</td><td>277</td><td>220</td><td>246</td></tr> <tr><td>85</td><td>160</td><td>134</td><td>137</td></tr> </tbody> </table>	Angle	End	45	Cross	0	3063	3063	3063	5	3038	3047	3078	10	2988	3016	3066	15	2903	2957	3031	20	2777	2872	2979	25	2615	2750	2879	30	2413	2572	2708	35	2181	2340	2468	40	1930	2062	2187	45	1635	1728	1850	50	1315	1398	1486	55	1016	1094	1178	60	752	779	873	65	560	522	629	70	439	351	451	75	362	267	331	80	277	220	246	85	160	134	137	<table border="1"> <thead> <tr> <th>Degrees</th> <th>Lumens</th> <th>% Lamp</th> <th>% Luminaire</th> </tr> </thead> <tbody> <tr><td>0-30</td><td>2390</td><td>25.3</td><td>33.2</td></tr> <tr><td>0-40</td><td>3845</td><td>40.7</td><td>53.3</td></tr> <tr><td>0-60</td><td>6149</td><td>65.1</td><td>85.3</td></tr> <tr><td>0-90</td><td>7206</td><td>76.3</td><td>100.0</td></tr> </tbody> </table>	Degrees	Lumens	% Lamp	% Luminaire	0-30	2390	25.3	33.2	0-40	3845	40.7	53.3	0-60	6149	65.1	85.3	0-90	7206	76.3	100.0	<table border="1"> <thead> <tr> <th>Angle</th> <th>End</th> <th>45°</th> <th>Cross</th> </tr> </thead> <tbody> <tr><td>45</td><td>8528</td><td>9013</td><td>9650</td></tr> <tr><td>55</td><td>6533</td><td>7035</td><td>7575</td></tr> <tr><td>65</td><td>4887</td><td>4556</td><td>5489</td></tr> <tr><td>75</td><td>5159</td><td>3805</td><td>4717</td></tr> <tr><td>85</td><td>6771</td><td>5671</td><td>5798</td></tr> </tbody> </table>	Angle	End	45°	Cross	45	8528	9013	9650	55	6533	7035	7575	65	4887	4556	5489	75	5159	3805	4717	85	6771	5671
Angle	End	45	Cross																																																																																																																							
0	3063	3063	3063																																																																																																																							
5	3038	3047	3078																																																																																																																							
10	2988	3016	3066																																																																																																																							
15	2903	2957	3031																																																																																																																							
20	2777	2872	2979																																																																																																																							
25	2615	2750	2879																																																																																																																							
30	2413	2572	2708																																																																																																																							
35	2181	2340	2468																																																																																																																							
40	1930	2062	2187																																																																																																																							
45	1635	1728	1850																																																																																																																							
50	1315	1398	1486																																																																																																																							
55	1016	1094	1178																																																																																																																							
60	752	779	873																																																																																																																							
65	560	522	629																																																																																																																							
70	439	351	451																																																																																																																							
75	362	267	331																																																																																																																							
80	277	220	246																																																																																																																							
85	160	134	137																																																																																																																							
Degrees	Lumens	% Lamp	% Luminaire																																																																																																																							
0-30	2390	25.3	33.2																																																																																																																							
0-40	3845	40.7	53.3																																																																																																																							
0-60	6149	65.1	85.3																																																																																																																							
0-90	7206	76.3	100.0																																																																																																																							
Angle	End	45°	Cross																																																																																																																							
45	8528	9013	9650																																																																																																																							
55	6533	7035	7575																																																																																																																							
65	4887	4556	5489																																																																																																																							
75	5159	3805	4717																																																																																																																							
85	6771	5671	5798																																																																																																																							
<b>Coefficients of Utilization</b>																																																																																																																										
<b>EFFECTIVE FLOOR CAVITY REFLECTANCE 20 PER (pfc=0.20)</b>																																																																																																																										
pcc	80			70			50																																																																																																																			
	pw	70	50	30	70	50	30	50	30																																																																																																																	
RCR																																																																																																																										
0	91	91	91	89	89	89	84	84																																																																																																																		
1	83	80	77	81	79	76	75	72																																																																																																																		
2	77	70	66	75	69	65	67	63																																																																																																																		
3	70	63	56	68	61	56	59	55																																																																																																																		
4	65	56	50	63	56	50	54	48																																																																																																																		
5	59	51	45	58	50	44	48	42																																																																																																																		
6	56	46	40	54	45	39	44	39																																																																																																																		
7	52	41	35	51	41	34	40	34																																																																																																																		
8	47	39	32	46	38	32	36	32																																																																																																																		
9	45	35	29	44	34	28	34	28																																																																																																																		
10	42	33	27	41	33	27	32	27																																																																																																																		

## 2DP Designer recessed 2X2

2 or 3 lamp TT5

---



Some luminaires use fluorescent or high intensity discharge (HID) lamps that contain small amounts of mercury. Such lamps are labeled, "Contain Mercury" and/or the symbol "HG". Lamps that contain mercury must be disposed of in accordance with local requirements. Information regarding lamp recycling and disposal can be found at [www.lamprecycle.org](http://www.lamprecycle.org)

