

Day-Brite

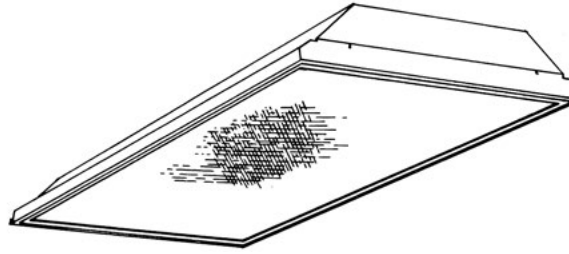
CFI

by  Signify

Recessed

Designer 2x4

2, 3, or 4 lamp T8, T5, T5HO



Project: _____
 Location: _____
 Cat.No: _____
 Type: _____
 Lamps: _____ Qty: _____
 Notes: _____

Day-Brite / CFI Designer is a premium grade recessed luminaire. Multiple options in door frames, lenses, air handling, and ceiling types provide versatility to meet the needs of many applications.

Ordering guide

Example: 2DPG232-FS01-UNV-1/2-EBLHB-LPT835HL

Width	Family	Ceiling type	No. of lamps (not included)	Lamp type/Wattage	Door frame	Lens	Door finish	Voltage	Door finish
2	DP								
2 2'	DP Designer	G Grid F Flange Z Z Spline /Modular	2 3 4 6	32 32WT8 (48") 28 28WT5 (46") 54HO 54WT5HO (46")	FS Flat Steel FA Flat Aluminum RA Regressed Aluminum	01 Pattern 12 prismatic acrylic 08 Frost glaze (opal), .187" nominal 12 K-12, .125" nominal 19 K-19, .156" nominal 21 Pattern 12, .125" nominal	BLANK White B Black Door	120 120V 277 277V 347 347V UNV Universal voltage 120-277V	BLANK White B Black Door

Options

1/2	One 2 lamp ballast	ECAN	B50-CAN emerg. ballast, Canada market, T8, 1100-1400 lumens, 120/347V
1/3	One 3 lamp ballast	E5ST	B50ST emerg. ballast w/self test, T8, 1100-1400 lumens, UNV
1/21	2 lamp and 1 lamp ballasts	E7LP	LP550 emerg. ballast T5/T5HO, 430-700 lumens, 120/277V
1/4	One 4 lamp ballast	E6LP	LP600 emerg. ballast U.S. or Canada market, T5/T5HO, 750-1325 lumens, 120/277V
2/2	Two 2 lamp ballasts	F1	3/8" flex, 3 wire 18 gauge 6'
1/42	One 4 lamp and one 2 lamp ballast	F2	3/8" flex, 4 wire 18 gauge 6'
EB	Electronic ballast, <10% THD std. ballast factor	F2/5W	3/8" single flex, 5 wire 18 gauge 6' for dimmable luminaires
EB10R	T8 electronic ballast, program rapid start, <10% THD	GLR	Fusing, fast blow
EBHE	T8 electronic ballast, high efficiency, std. ballast factor	LPT830	Installed T8/T5/T5HO lamps 80+ CRI 3000K
EBLHE	T8 electronic ballast, high efficiency, low ballast factor	LPT835	Installed T8/T5/T5HO lamps 80+ CRI 3500K
EBHHE	T8 electronic ballast, high efficiency, high ballast factor	LPT841	Installed T8/T5/T5HO lamps 80+ CRI 4100K
EBD7	Advance Mark 7 dimming ballast, 0-10V (low voltage) control	LPT830HL	Installed T8/T5 hi lumen lamps 80+ CRI 3000K
EBDX	Advance Mark 10 dimming ballast, phase control	LPT835HL	Installed T8/T5 hi lumen lamps 80+ CRI 3500K
EBSD	T8 electronic step dimming ballast, .88 ballast factor	LPT841HL	Installed T8/T5 hi lumen lamps 80+ CRI 4100K
EBD	Electronic dimming ballast, customer specified	1W	1-way gasketing between lens & door frame (not avail. w/ RA door)
E1	B100 emerg. ballast, T8, 350-450 lumens, 120/277V	2W	2-way gasketing, 1W + gasketing between door frame & housing
E1CAN	B100-CAN emerg. ballast, Canada market, T8, 350-450 lumens, 120/347V	3W	3-way gasketing, 2W + gasketing for field installation between housing & ceiling
E7	B60 emerg. ballast, T8, 600-700 lumens, 120/277V	SI	Specular Insert (reflector)
E5	B50 emerg. ballast, U.S. or Canada market, T8, 1100-1400 lumens, UNV	PAF	Housing painted after fabrication
		CHIC	Chicago Plenum rated

Accessories (order separately)

- FMA24 2'x4' "F" mounting frame for NEMA "F" mounting
- FKDP24 2x4 flange conversion kit from NEMA G to NEMA F type



2DP Designer recessed 2X4

2, 3, or 4 lamp T8, T5, T5HO

Application

- Premium quality recessed static troffer for:
 - Grid inverted T (NEMA “G”)
 - Flange for concealed mechanical suspension (NEMA “F”)

Construction/Finish

- One piece unitized body including end plates for added rigidity
- Die formed steel housing
- Housing is multi-stage phosphate treated for maximum corrosion resistance and finish coat is high reflectance baked white enamel
- Painted after fabrication housing optional
- Access plate (2 K.O.'s) factory installed includes grounding screw
- T-bar grid clips built into fixture end plates, no extra parts required

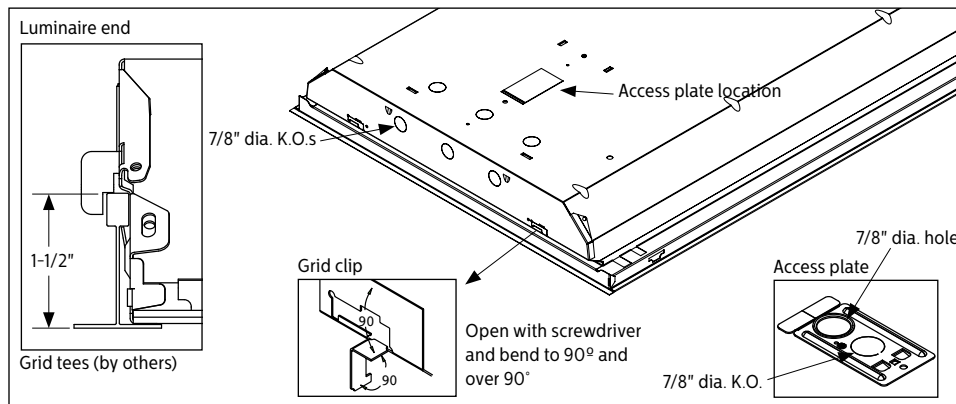
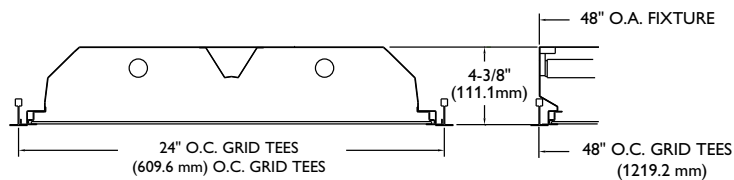
Electrical

- Class P, HPF ballasts comply with E Federal Ballast Law (Public Law 100-357, 1988)
- cULus listed for damp locations
- Self-contained fluorescent emergency power packs can be incorporated, UL listed for dry locations

Enclosure

- Mitered corner door frames with a choice of: Flat Steel, Flat Aluminum, or Regressed Aluminum
- Door frames standard with guide post spring loaded latches
- Mechanically designed interlocks block light, no gaskets are needed
- Prismatic acrylic pattern 12 lens standard (01)
- Other lenses or louvers optional
- Choice of door finishes; white (standard) or black
- Can be hinged and latched from either side

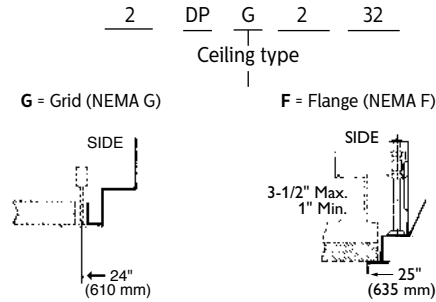
Dimensions



2DP Designer recessed 2X4

2, 3, or 4 lamp T8, T5, T5HO

Ceiling configuration



(NEMA Type G)
Lay-in acoustical ceilings using exposed grid suspension, with tees for luminaires on 24" x 48" spacing.

(NEMA Type F)
Flange for acoustical ceilings using concealed mechanical suspension. Swing-jack mounting brackets: adjustment 3-1/2" max. and 1" min.

Photometry

Designer 2'x4' 2 Lamp T8 Efficiency – 84.8% LER – 71 TER – 63

Catalog No. 2DPG232-FS01-1/2-EB Test No. 20876 S/MH 1.4 Lamp Type F32T8 Lumens/Lamp 2850 Ballast Factor .88 Input Watts 60 Comparative yearly lighting energy cost per 1000 lumens – \$3.38 based on 3000 hrs. and \$.08 pwr KWH. The photometric results were obtained in the Day-Brite laboratory which is NVLAP accredited by the National Institute of Standards and Technology.	Candlepower				Light Distribution				Average Luminance																																																																																																																														
	<table border="1"> <thead> <tr> <th>Angle</th> <th>End</th> <th>45</th> <th>Cross</th> </tr> </thead> <tbody> <tr><td>0</td><td>1853</td><td>1853</td><td>1853</td></tr> <tr><td>5</td><td>1861</td><td>1853</td><td>1835</td></tr> <tr><td>10</td><td>1838</td><td>1840</td><td>1833</td></tr> <tr><td>15</td><td>1802</td><td>1817</td><td>1826</td></tr> <tr><td>20</td><td>1746</td><td>1779</td><td>1810</td></tr> <tr><td>25</td><td>1673</td><td>1729</td><td>1778</td></tr> <tr><td>30</td><td>1576</td><td>1654</td><td>1726</td></tr> <tr><td>35</td><td>1446</td><td>1563</td><td>1648</td></tr> <tr><td>40</td><td>1294</td><td>1427</td><td>1520</td></tr> <tr><td>45</td><td>1110</td><td>1247</td><td>1319</td></tr> <tr><td>50</td><td>907</td><td>1034</td><td>1074</td></tr> <tr><td>55</td><td>717</td><td>794</td><td>839</td></tr> <tr><td>60</td><td>561</td><td>566</td><td>595</td></tr> <tr><td>65</td><td>423</td><td>370</td><td>426</td></tr> <tr><td>70</td><td>313</td><td>240</td><td>329</td></tr> <tr><td>75</td><td>230</td><td>183</td><td>264</td></tr> <tr><td>80</td><td>168</td><td>153</td><td>200</td></tr> <tr><td>85</td><td>89</td><td>89</td><td>103</td></tr> </tbody> </table>	Angle	End	45	Cross	0	1853	1853	1853	5	1861	1853	1835	10	1838	1840	1833	15	1802	1817	1826	20	1746	1779	1810	25	1673	1729	1778	30	1576	1654	1726	35	1446	1563	1648	40	1294	1427	1520	45	1110	1247	1319	50	907	1034	1074	55	717	794	839	60	561	566	595	65	423	370	426	70	313	240	329	75	230	183	264	80	168	153	200	85	89	89	103	<table border="1"> <thead> <tr> <th>Degrees</th> <th>Lumens</th> <th>% Lamp</th> <th>% Luminaire</th> </tr> </thead> <tbody> <tr><td>0-30</td><td>1484</td><td>26.0</td><td>30.7</td></tr> <tr><td>0-40</td><td>2451</td><td>43.0</td><td>50.7</td></tr> <tr><td>0-60</td><td>4091</td><td>71.8</td><td>84.6</td></tr> <tr><td>0-90</td><td>4834</td><td>84.8</td><td>100.0</td></tr> </tbody> </table>	Degrees	Lumens	% Lamp	% Luminaire	0-30	1484	26.0	30.7	0-40	2451	43.0	50.7	0-60	4091	71.8	84.6	0-90	4834	84.8	100.0	<table border="1"> <thead> <tr> <th>Angle</th> <th>End</th> <th>45°</th> <th>Cross</th> </tr> </thead> <tbody> <tr><td>45</td><td>2418</td><td>2716</td><td>2873</td></tr> <tr><td>55</td><td>1925</td><td>2132</td><td>2253</td></tr> <tr><td>65</td><td>1541</td><td>1348</td><td>1552</td></tr> <tr><td>75</td><td>1369</td><td>1089</td><td>1571</td></tr> <tr><td>85</td><td>1573</td><td>1573</td><td>1820</td></tr> </tbody> </table>	Angle	End	45°	Cross	45	2418	2716	2873	55	1925	2132	2253	65	1541	1348	1552	75	1369	1089	1571	85	1573	1573	1820												
Angle	End	45	Cross																																																																																																																																				
0	1853	1853	1853																																																																																																																																				
5	1861	1853	1835																																																																																																																																				
10	1838	1840	1833																																																																																																																																				
15	1802	1817	1826																																																																																																																																				
20	1746	1779	1810																																																																																																																																				
25	1673	1729	1778																																																																																																																																				
30	1576	1654	1726																																																																																																																																				
35	1446	1563	1648																																																																																																																																				
40	1294	1427	1520																																																																																																																																				
45	1110	1247	1319																																																																																																																																				
50	907	1034	1074																																																																																																																																				
55	717	794	839																																																																																																																																				
60	561	566	595																																																																																																																																				
65	423	370	426																																																																																																																																				
70	313	240	329																																																																																																																																				
75	230	183	264																																																																																																																																				
80	168	153	200																																																																																																																																				
85	89	89	103																																																																																																																																				
Degrees	Lumens	% Lamp	% Luminaire																																																																																																																																				
0-30	1484	26.0	30.7																																																																																																																																				
0-40	2451	43.0	50.7																																																																																																																																				
0-60	4091	71.8	84.6																																																																																																																																				
0-90	4834	84.8	100.0																																																																																																																																				
Angle	End	45°	Cross																																																																																																																																				
45	2418	2716	2873																																																																																																																																				
55	1925	2132	2253																																																																																																																																				
65	1541	1348	1552																																																																																																																																				
75	1369	1089	1571																																																																																																																																				
85	1573	1573	1820																																																																																																																																				
Coefficients of Utilization EFFECTIVE FLOOR CAVITY REFLECTANCE 20 PER (pfc=0.20)				<table border="1"> <thead> <tr> <th>pcc</th> <th colspan="3">80</th> <th colspan="3">70</th> <th colspan="3">50</th> </tr> <tr> <th>pw</th> <th>70</th> <th>50</th> <th>30</th> <th>70</th> <th>50</th> <th>30</th> <th>50</th> <th>30</th> </tr> </thead> <tbody> <tr><td>RCR</td><td colspan="9"></td></tr> <tr><td>0</td><td>101</td><td>101</td><td>101</td><td>98</td><td>98</td><td>98</td><td>93</td><td>93</td></tr> <tr><td>1</td><td>93</td><td>89</td><td>85</td><td>91</td><td>86</td><td>83</td><td>83</td><td>81</td></tr> <tr><td>2</td><td>84</td><td>78</td><td>72</td><td>82</td><td>77</td><td>71</td><td>73</td><td>69</td></tr> <tr><td>3</td><td>78</td><td>69</td><td>63</td><td>76</td><td>68</td><td>61</td><td>66</td><td>60</td></tr> <tr><td>4</td><td>71</td><td>61</td><td>55</td><td>69</td><td>60</td><td>54</td><td>58</td><td>53</td></tr> <tr><td>5</td><td>66</td><td>56</td><td>47</td><td>64</td><td>55</td><td>47</td><td>53</td><td>46</td></tr> <tr><td>6</td><td>60</td><td>50</td><td>42</td><td>59</td><td>50</td><td>42</td><td>47</td><td>41</td></tr> <tr><td>7</td><td>56</td><td>46</td><td>39</td><td>55</td><td>45</td><td>38</td><td>44</td><td>38</td></tr> <tr><td>8</td><td>53</td><td>41</td><td>34</td><td>52</td><td>40</td><td>34</td><td>40</td><td>34</td></tr> <tr><td>9</td><td>50</td><td>39</td><td>32</td><td>47</td><td>38</td><td>32</td><td>36</td><td>30</td></tr> <tr><td>10</td><td>46</td><td>35</td><td>28</td><td>45</td><td>34</td><td>28</td><td>34</td><td>28</td></tr> </tbody> </table>				pcc	80			70			50			pw	70	50	30	70	50	30	50	30	RCR										0	101	101	101	98	98	98	93	93	1	93	89	85	91	86	83	83	81	2	84	78	72	82	77	71	73	69	3	78	69	63	76	68	61	66	60	4	71	61	55	69	60	54	58	53	5	66	56	47	64	55	47	53	46	6	60	50	42	59	50	42	47	41	7	56	46	39	55	45	38	44	38	8	53	41	34	52	40	34	40	34	9	50	39	32	47	38	32	36	30	10	46	35	28	45	34	28	34	28
pcc	80			70			50																																																																																																																																
pw	70	50	30	70	50	30	50	30																																																																																																																															
RCR																																																																																																																																							
0	101	101	101	98	98	98	93	93																																																																																																																															
1	93	89	85	91	86	83	83	81																																																																																																																															
2	84	78	72	82	77	71	73	69																																																																																																																															
3	78	69	63	76	68	61	66	60																																																																																																																															
4	71	61	55	69	60	54	58	53																																																																																																																															
5	66	56	47	64	55	47	53	46																																																																																																																															
6	60	50	42	59	50	42	47	41																																																																																																																															
7	56	46	39	55	45	38	44	38																																																																																																																															
8	53	41	34	52	40	34	40	34																																																																																																																															
9	50	39	32	47	38	32	36	30																																																																																																																															
10	46	35	28	45	34	28	34	28																																																																																																																															

Designer 2'x4' 3 Lamp T8 Efficiency – 79.2% LER – 67 TER – 59

Catalog No. 2DPG332-FS01-1/3-EB Test No. 20838 S/MH 1.3 Lamp Type F32T8 Lumens/Lamp 2850 Ballast Factor .88 Input Watts 89 Comparative yearly lighting energy cost per 1000 lumens – \$3.58 based on 3000 hrs. and \$.08 pwr KWH. The photometric results were obtained in the Day-Brite laboratory which is NVLAP accredited by the National Institute of Standards and Technology.	Candlepower				Light Distribution				Average Luminance																																																																																																																														
	<table border="1"> <thead> <tr> <th>Angle</th> <th>End</th> <th>45</th> <th>Cross</th> </tr> </thead> <tbody> <tr><td>0</td><td>2680</td><td>2680</td><td>2680</td></tr> <tr><td>5</td><td>2690</td><td>2670</td><td>2658</td></tr> <tr><td>10</td><td>2657</td><td>2650</td><td>2653</td></tr> <tr><td>15</td><td>2601</td><td>2617</td><td>2636</td></tr> <tr><td>20</td><td>2522</td><td>2561</td><td>2600</td></tr> <tr><td>25</td><td>2417</td><td>2476</td><td>2522</td></tr> <tr><td>30</td><td>2275</td><td>2353</td><td>2382</td></tr> <tr><td>35</td><td>2096</td><td>2177</td><td>2211</td></tr> <tr><td>40</td><td>1873</td><td>1946</td><td>2015</td></tr> <tr><td>45</td><td>1603</td><td>1677</td><td>1781</td></tr> <tr><td>50</td><td>1294</td><td>1389</td><td>1501</td></tr> <tr><td>55</td><td>1027</td><td>1098</td><td>1147</td></tr> <tr><td>60</td><td>794</td><td>774</td><td>816</td></tr> <tr><td>65</td><td>594</td><td>510</td><td>591</td></tr> <tr><td>70</td><td>441</td><td>334</td><td>453</td></tr> <tr><td>75</td><td>323</td><td>257</td><td>365</td></tr> <tr><td>80</td><td>237</td><td>211</td><td>273</td></tr> <tr><td>85</td><td>126</td><td>118</td><td>142</td></tr> </tbody> </table>	Angle	End	45	Cross	0	2680	2680	2680	5	2690	2670	2658	10	2657	2650	2653	15	2601	2617	2636	20	2522	2561	2600	25	2417	2476	2522	30	2275	2353	2382	35	2096	2177	2211	40	1873	1946	2015	45	1603	1677	1781	50	1294	1389	1501	55	1027	1098	1147	60	794	774	816	65	594	510	591	70	441	334	453	75	323	257	365	80	237	211	273	85	126	118	142	<table border="1"> <thead> <tr> <th>Degrees</th> <th>Lumens</th> <th>% Lamp</th> <th>% Luminaire</th> </tr> </thead> <tbody> <tr><td>0-30</td><td>2132</td><td>24.9</td><td>31.5</td></tr> <tr><td>0-40</td><td>3481</td><td>40.7</td><td>51.4</td></tr> <tr><td>0-60</td><td>5741</td><td>67.1</td><td>84.8</td></tr> <tr><td>0-90</td><td>6772</td><td>79.2</td><td>100.0</td></tr> </tbody> </table>	Degrees	Lumens	% Lamp	% Luminaire	0-30	2132	24.9	31.5	0-40	3481	40.7	51.4	0-60	5741	67.1	84.8	0-90	6772	79.2	100.0	<table border="1"> <thead> <tr> <th>Angle</th> <th>End</th> <th>45°</th> <th>Cross</th> </tr> </thead> <tbody> <tr><td>45</td><td>3491</td><td>3652</td><td>3879</td></tr> <tr><td>55</td><td>2757</td><td>2948</td><td>3080</td></tr> <tr><td>65</td><td>2165</td><td>1858</td><td>2154</td></tr> <tr><td>75</td><td>1922</td><td>1529</td><td>2172</td></tr> <tr><td>85</td><td>2226</td><td>2085</td><td>2509</td></tr> </tbody> </table>	Angle	End	45°	Cross	45	3491	3652	3879	55	2757	2948	3080	65	2165	1858	2154	75	1922	1529	2172	85	2226	2085	2509												
Angle	End	45	Cross																																																																																																																																				
0	2680	2680	2680																																																																																																																																				
5	2690	2670	2658																																																																																																																																				
10	2657	2650	2653																																																																																																																																				
15	2601	2617	2636																																																																																																																																				
20	2522	2561	2600																																																																																																																																				
25	2417	2476	2522																																																																																																																																				
30	2275	2353	2382																																																																																																																																				
35	2096	2177	2211																																																																																																																																				
40	1873	1946	2015																																																																																																																																				
45	1603	1677	1781																																																																																																																																				
50	1294	1389	1501																																																																																																																																				
55	1027	1098	1147																																																																																																																																				
60	794	774	816																																																																																																																																				
65	594	510	591																																																																																																																																				
70	441	334	453																																																																																																																																				
75	323	257	365																																																																																																																																				
80	237	211	273																																																																																																																																				
85	126	118	142																																																																																																																																				
Degrees	Lumens	% Lamp	% Luminaire																																																																																																																																				
0-30	2132	24.9	31.5																																																																																																																																				
0-40	3481	40.7	51.4																																																																																																																																				
0-60	5741	67.1	84.8																																																																																																																																				
0-90	6772	79.2	100.0																																																																																																																																				
Angle	End	45°	Cross																																																																																																																																				
45	3491	3652	3879																																																																																																																																				
55	2757	2948	3080																																																																																																																																				
65	2165	1858	2154																																																																																																																																				
75	1922	1529	2172																																																																																																																																				
85	2226	2085	2509																																																																																																																																				
Coefficients of Utilization EFFECTIVE FLOOR CAVITY REFLECTANCE 20 PER (pfc=0.20)				<table border="1"> <thead> <tr> <th>pcc</th> <th colspan="3">80</th> <th colspan="3">70</th> <th colspan="3">50</th> </tr> <tr> <th>pw</th> <th>70</th> <th>50</th> <th>30</th> <th>70</th> <th>50</th> <th>30</th> <th>50</th> <th>30</th> </tr> </thead> <tbody> <tr><td>RCR</td><td colspan="9"></td></tr> <tr><td>0</td><td>93</td><td>93</td><td>93</td><td>92</td><td>92</td><td>92</td><td>88</td><td>88</td></tr> <tr><td>1</td><td>86</td><td>82</td><td>80</td><td>84</td><td>81</td><td>79</td><td>78</td><td>76</td></tr> <tr><td>2</td><td>80</td><td>72</td><td>68</td><td>77</td><td>71</td><td>67</td><td>68</td><td>65</td></tr> <tr><td>3</td><td>72</td><td>65</td><td>58</td><td>70</td><td>64</td><td>57</td><td>61</td><td>56</td></tr> <tr><td>4</td><td>67</td><td>57</td><td>52</td><td>65</td><td>56</td><td>51</td><td>55</td><td>50</td></tr> <tr><td>5</td><td>61</td><td>52</td><td>46</td><td>59</td><td>51</td><td>45</td><td>50</td><td>44</td></tr> <tr><td>6</td><td>56</td><td>46</td><td>40</td><td>56</td><td>46</td><td>40</td><td>45</td><td>39</td></tr> <tr><td>7</td><td>53</td><td>42</td><td>35</td><td>52</td><td>41</td><td>35</td><td>40</td><td>35</td></tr> <tr><td>8</td><td>50</td><td>39</td><td>33</td><td>48</td><td>39</td><td>33</td><td>38</td><td>32</td></tr> <tr><td>9</td><td>46</td><td>35</td><td>29</td><td>45</td><td>35</td><td>29</td><td>34</td><td>28</td></tr> <tr><td>10</td><td>44</td><td>33</td><td>27</td><td>42</td><td>33</td><td>27</td><td>32</td><td>27</td></tr> </tbody> </table>				pcc	80			70			50			pw	70	50	30	70	50	30	50	30	RCR										0	93	93	93	92	92	92	88	88	1	86	82	80	84	81	79	78	76	2	80	72	68	77	71	67	68	65	3	72	65	58	70	64	57	61	56	4	67	57	52	65	56	51	55	50	5	61	52	46	59	51	45	50	44	6	56	46	40	56	46	40	45	39	7	53	42	35	52	41	35	40	35	8	50	39	33	48	39	33	38	32	9	46	35	29	45	35	29	34	28	10	44	33	27	42	33	27	32	27
pcc	80			70			50																																																																																																																																
pw	70	50	30	70	50	30	50	30																																																																																																																															
RCR																																																																																																																																							
0	93	93	93	92	92	92	88	88																																																																																																																															
1	86	82	80	84	81	79	78	76																																																																																																																															
2	80	72	68	77	71	67	68	65																																																																																																																															
3	72	65	58	70	64	57	61	56																																																																																																																															
4	67	57	52	65	56	51	55	50																																																																																																																															
5	61	52	46	59	51	45	50	44																																																																																																																															
6	56	46	40	56	46	40	45	39																																																																																																																															
7	53	42	35	52	41	35	40	35																																																																																																																															
8	50	39	33	48	39	33	38	32																																																																																																																															
9	46	35	29	45	35	29	34	28																																																																																																																															
10	44	33	27	42	33	27	32	27																																																																																																																															

2DP Designer recessed 2X4

2, 3, or 4 lamp T8, T5, T5HO

Designer 2'x4' 4 Lamp T8 Efficiency – 81.0% LER – 70 TER – 62

Catalog No. 2DPG432-FS01-1/4-EB Test No. 20849 S/MH 1.3 Lamp Type F32T8 Lumens/Lamp 2850 Ballast Factor .88 Input Watts 116 Comparative yearly lighting energy cost per 1000 lumens – \$3.43 based on 3000 hrs. and \$.08 pwr KWH. The photometric results were obtained in the Day-Brite laboratory which is NVLAP accredited by the National Institute of Standards and Technology.	Candlepower				Light Distribution				Average Luminance			
	Angle	End	45	Cross	Degrees	Lumens	% Lamp	% Luminaire	Angle	End	45°	Cross
0	3668	3668	3668	0-30	2916	25.6	31.6	45	4739	5038	5292	
5	3670	3662	3642	0-40	4766	41.8	51.6	55	3754	3987	4087	
10	3621	3637	3634	0-60	7839	68.8	84.9	65	2930	2514	2926	
15	3546	3586	3609	0-90	9234	81.0	100.0	75	2576	2059	2945	
20	3438	3512	3555									
25	3289	3393	3452									
30	3099	3220	3281									
35	2846	2991	3049									
40	2531	2689	2763									
45	2176	2313	2430									
50	1767	1912	1996									
55	1398	1485	1522									
60	1066	1037	1109									
65	804	690	803									
70	589	450	613									
75	433	346	495									
80	317	289	371									
85	168	163	194									

Coefficients of Utilization

EFFECTIVE FLOOR CAVITY REFLECTANCE 20 PER (pfc=0.20)									
pcc	80			70			50		
pw	70	50	30	70	50	30	70	50	30
RCR									
0	95	95	95	93	93	93	90	90	90
1	89	84	81	86	82	80	80	77	77
2	81	75	69	79	73	68	70	67	67
3	75	67	59	72	65	59	63	57	57
4	68	59	53	67	58	52	56	51	51
5	63	54	46	61	53	46	51	45	45
6	58	47	41	56	47	40	46	40	40
7	55	44	36	53	42	36	41	35	35
8	51	40	34	50	40	33	39	33	33
9	47	36	30	46	36	29	35	29	29
10	45	34	28	44	34	28	33	28	28



Some luminaires use fluorescent or high intensity discharge (HID) lamps that contain small amounts of mercury. Such lamps are labeled, "Contain Mercury" and/or the symbol "HG". Lamps that contain mercury must be disposed of in accordance with local requirements. Information regarding lamp recycling and disposal can be found at www.lamprecycle.org

