

JOB NAME _____

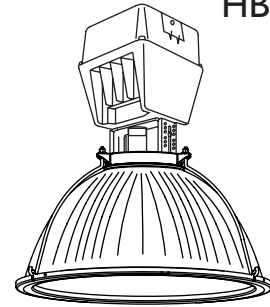
TYPE _____

HBO OPEN HIGH BAY 22" GLASS REFLECTOR

HB-10111

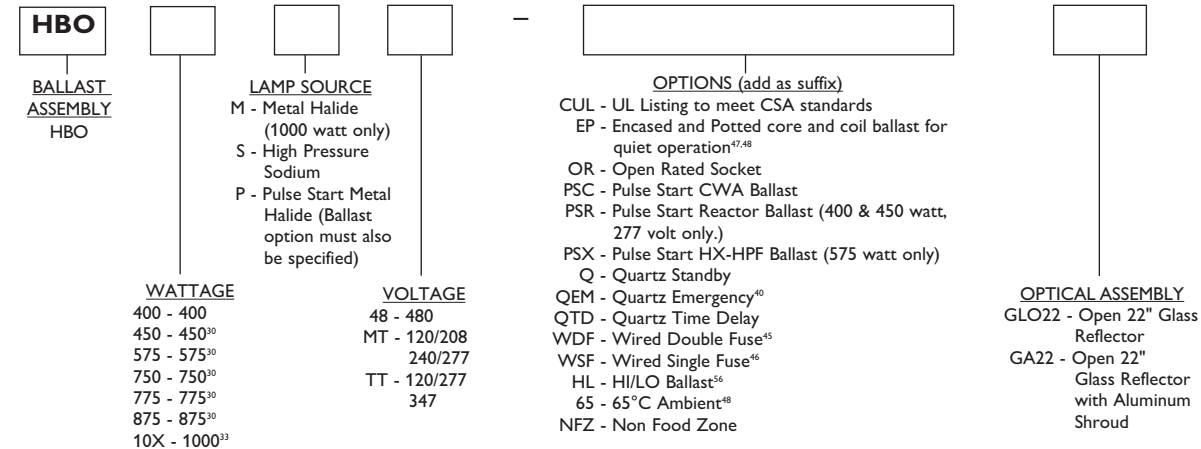
1000 watt Metal Halide
400-1000 watt High Pressure Sodium
400-875 watt Pulse Start Metal Halide

The HBO1000 Open High Bay Luminaire features an open, glass reflector for use in general purpose retail, educational and industrial applications requiring upright.



ORDERING MATRIX

SAMPLE CATALOG NUMBER: HBO10XMMT GLO22



ACCESSORIES (ORDER SEPARATELY)

- GL22BE - Flat Tempered Glass Bottom Enclosure
 - CH - Cover Half for Power Hook (use with PB)
 - PB - Power Box for Power Hook (use with CH)
 - HP12 - Hook-Cord-Plug Assembly 120V
 - HP25 - Hook-Cord-Plug Assembly 208-240V
 - HP27 - Hook-Cord-Plug Assembly 277V
 - HP48 - Hook-Cord-Plug Assembly 480V
 - HMR - Suspension Hook Male
 - LMR - Suspension Loop Male
 - SCB3 - Ballast Retainer Chain 3'
 - WG-GLO22 - Wire Guard
 - WCG25 - Wire Cage
- (Refer to Section 18000 for additional accessories.)

Footnotes:

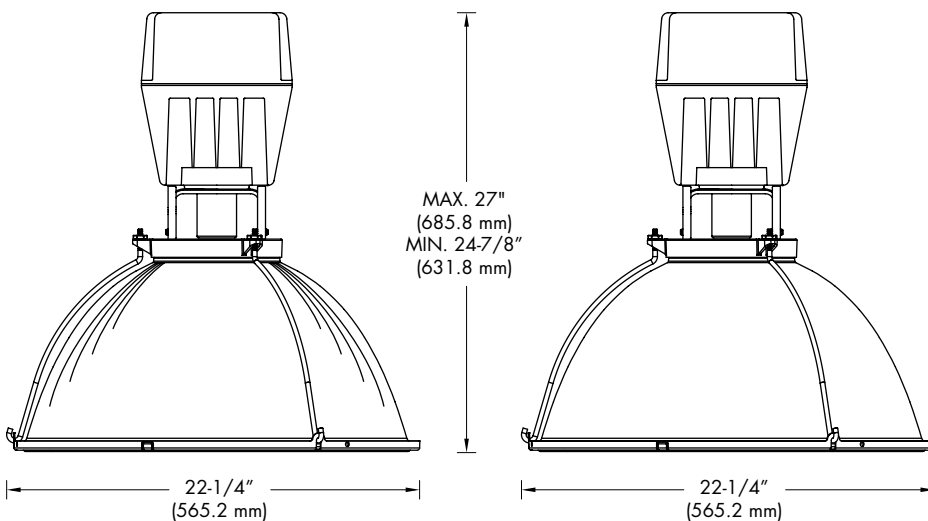
- ³⁰Pulse Start Metal Halide Only.
- ³³Not available in Pulse Start Metal Halide.
- ⁴⁰Requires 120V secondary power supply.
- ⁴⁵Use with 208, 240, and 480 volt.
- ⁴⁶Use with 120, 277, and 347 volt.
- ⁴⁷Consult factory for availability of 750 & 1000 watt.
- ⁴⁸May require deep ballast housing.
- ⁵⁶Must specify voltage.

General Notes:

- All accessories are field installed.
- Mogul base lamp only.
- All options factory installed.

Warning: Many Metal Halide lamps are rated for enclosed fixtures only. Some lamps are specifically rated for open fixtures and require an open rated socket (option code-"OR"). Refer to and follow the lamp manufacturer's warnings and instructions.

DIMENSIONS



ENERGY DATA

HIGH PRESSURE SODIUM

CWA BALLAST INPUT WATTS

- 400 watt-464 watts
- 750 watt-840 watts
- 1000 watt-1100 watts

METAL HALIDE

CWA BALLAST INPUT WATTS

- 400 watt-452 watts
- 450 watt-508 watts
- 575 watt-645 watts
- 750 watt-810 watts
- 775 watt-845 watts
- 875 watt-940 watts
- 1000 watt-1080 watts

HBO 875PMT-GL22 - POSITION 5																			
WIDE SPREAD S/MH = 1.9																			
TEST NO. 27832																			
DISTRIBUTION CURVE				COEFFICIENTS OF UTILIZATION				AVERAGE BRIGHTNESS				ZONAL SUMMARY		CANDLEPOWER					
	EFFECTIVE FLOOR CAVITY REFLECTANCE 20 PER (ρfc=0.20)																		
	CEIL	80	70	50	30	10	45	31635	41389	40640	Degrees	Lumens	% Lamp	% Fixture	Angle	Avg. Candela	Angle	Avg. Candela	
	WALL	70	50	30	10	70	50	30	10	50	30	10	50	30	10	0	8034	95	4411
	RCR	0	97	97	97	91	91	91	81	81	81	71	71	71	62	62	62	62	62
	1	87	83	79	75	82	78	74	71	69	66	63	60	58	56	52	51	49	
	2	79	72	66	61	74	68	62	58	60	56	52	52	49	46	46	43	41	
	3	72	63	56	51	68	60	53	48	53	48	44	46	42	39	40	37	35	
	4	66	56	48	43	62	53	46	41	47	41	37	41	37	33	36	33	30	
	5	61	50	42	37	57	47	40	35	42	36	32	37	32	29	32	29	26	
	6	56	45	37	32	52	42	35	30	38	32	28	33	29	25	29	26	23	
	7	52	40	33	28	48	38	31	27	34	28	24	30	26	22	27	23	20	
8	48	36	29	24	45	35	28	23	31	25	21	28	23	20	24	21	18		
9	45	33	26	22	42	31	25	21	28	23	19	25	21	17	22	19	16		
10	42	30	24	19	39	29	23	19	26	21	17	23	19	16	21	17	14		
ZONE END 45 CROSS 45 31635 41389 40640 55 21540 28253 28408 65 14143 16445 16621 75 14306 15696 15128 85 18315 20545 20107											(0-30) 12990 13.7 15.6 (0-40) 24425 25.7 29.3 (0-60) 41171 43.3 49.4 (90-180) 28699 30.2 34.4 (0-180) 83365 87.8 100.0		35 17807 135 6035 45 11894 145 3119 55 7910 155 1309 65 4465 165 1059 75 3842 175 1377 85 4311						
COMPARATIVE YEARLY LIGHTING ENERGY COST PER 1000 LUMENS = \$2.68 BASED ON 3000 HRS. AND \$.08 PER KWH. LER=89.4																			
These photometric results were obtained in the Philips Day-Brite Lighting Laboratory which is NVLAP accredited by the National Institute of Standards and Technology.																			

ADDITIONAL TEST NUMBERS

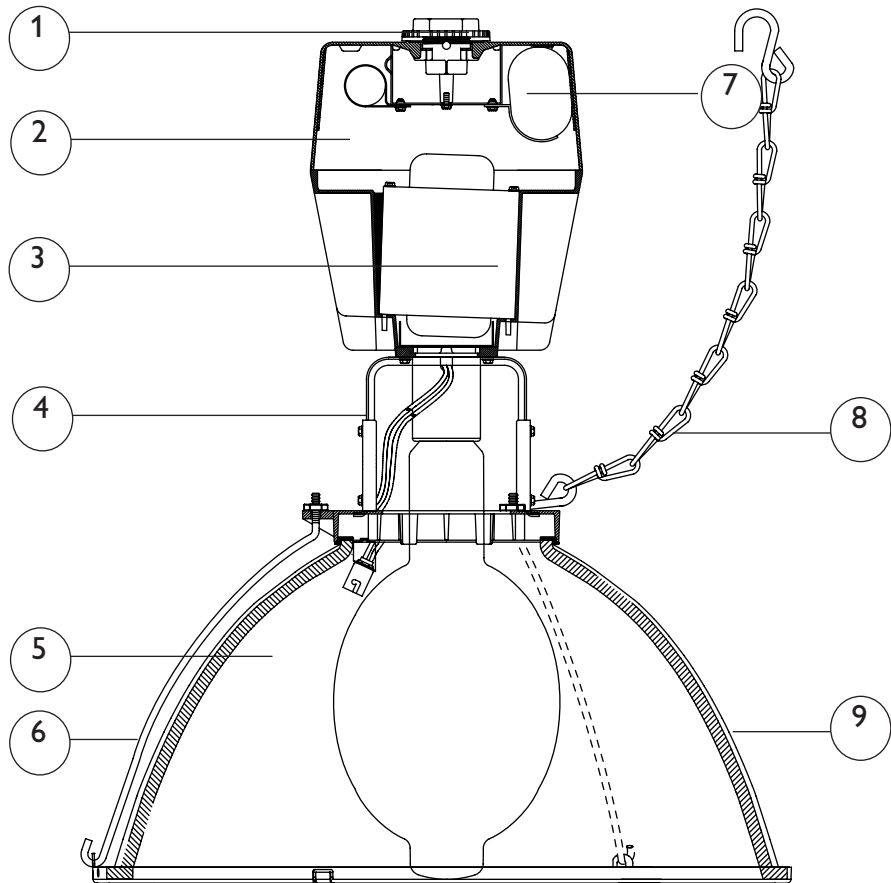
GLO22 875 WATT PULSE START METAL HALIDE		
SOCKET	S/MH	TEST NUMBER
POSITION 1	0.7	27836
POSITION 2	0.5	27835
POSITION 3	0.5	27834
POSITION 4	1.5	27833
POSITION 5	1.9	27832
POSITION 6	2.2	27831

GA22 875 WATT PULSE START METAL HALIDE		
SOCKET	S/MH	TEST NUMBER
POSITION 1	0.6	27830
POSITION 2	0.6	27829
POSITION 3	1.0	27828
POSITION 4	1.5	27827
POSITION 5	1.7	27826
POSITION 6	1.9	27825

PRODUCT FEATURES

UL 1598 Listed suitable for damp location and 55°C ambient for all lamp wattages listed.

- 3/4" threaded cast aluminum nut and hub for easy, positive mounting.
- Heavy wall, two piece die cast aluminum housing with white polyester powder finish.
- Day-Brite "Slant 2" ballast mounting for cooler operation. Ballast has high temperature class H insulation and a minimum starting temperature of -40°C (-40°F) for HPS and Pulse Start MH or -30°C (-20°F) for MH.
- Heavy gauge yoke provides positive mounting of reflector to ballast assembly and field adjustable light distribution patterns.
- Prismatic borosilicate glass reflector.
- Wireframe with white polyester powder finish.
- Large wiring access with captive retainer screw.
- Heavy duty optical safety chain. Attach to building structure.
- Spun aluminum shroud (GA22 only).



© 2013 Koninklijke Philips Electronics N.V. All rights reserved.
 Specifications are subject to change without notice.
www.philips.com/luminaires

Philips Lighting Company
 200 Franklin Square Drive
 Somerset, NJ 08873
 Phone: 855-486-2216

Philips Lighting Company
 281 Hillmount Road
 Markham ON, Canada L6C 2S3
 Phone: 800-668-9008