

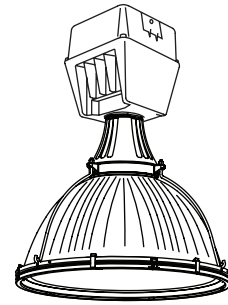
JOB NAME _____

TYPE _____

HBE ENCLOSED HIGH BAY 22" GLASS REFLECTOR

1000 watt Metal Halide
400-1000 watt High Pressure Sodium
400-1000 watt Pulse Start Metal Halide

HB-10121



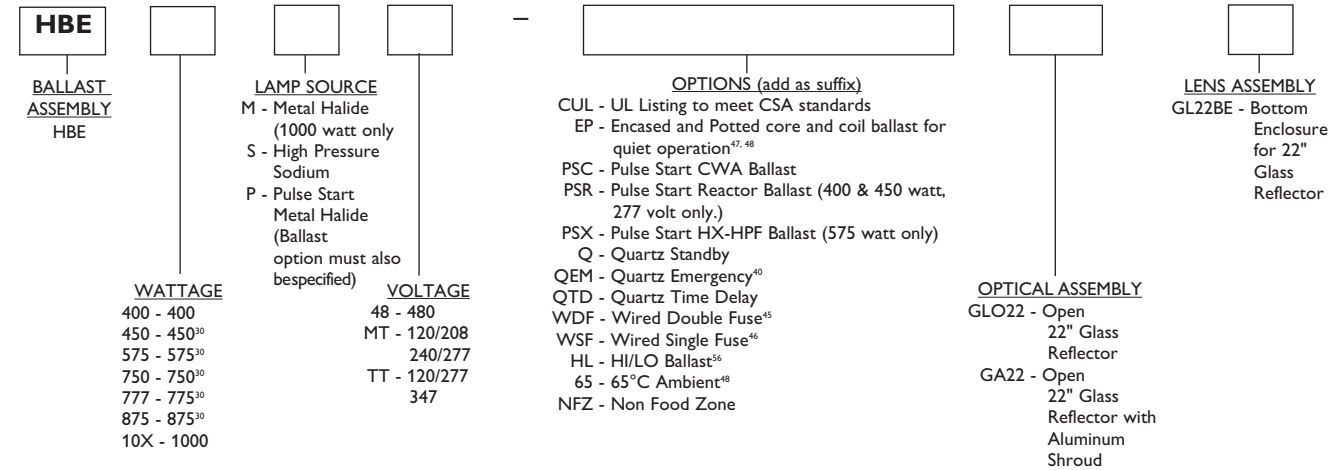
The HBE1000 Enclosed High Bay Luminaire features an enclosed, glass reflector with a clear tempered glass lens for use in applications requiring upright and enclosed construction.

ORDERING MATRIX

SAMPLE CATALOG NUMBER: HBE10XMMT

GLO22

GL22BE



ACCESSORIES (ORDER SEPARATELY)

- CH - Cover Half for Power Hook (use with PB)
 - PB - Power Box for Power Hook (use with CH)
 - HP12 - Hook-Cord-Plug Assembly 120V
 - HP25 - Hook-Cord-Plug Assembly 208-240V
 - HP27 - Hook-Cord-Plug Assembly 277V
 - HP48 - Hook-Cord-Plug Assembly 480V
 - HMR - Suspension Hook Male
 - LMR - Suspension Loop Male
 - SCB3 - Ballast Retainer Chain 3'
 - WG-GLO22 - Wire Guard 22"
 - WCG25 - Wire Cage
- (Refer to Section 18000 for additional accessories.)

Footnotes:

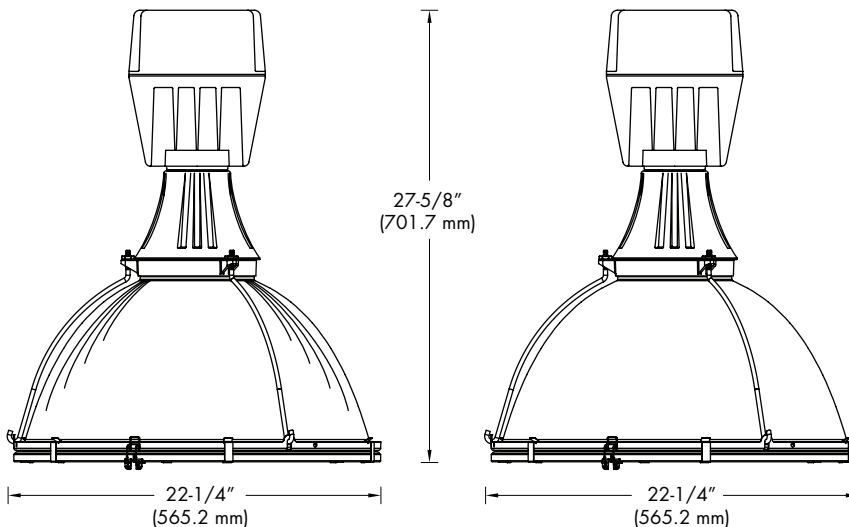
- ³⁰Pulse Start Metal Halide Only.
- ⁴⁰Requires 120V secondary power supply.
- ⁴⁵Use with 208, 240, and 480 volt.
- ⁴⁶Use with 120, 277, and 347 volt.
- ⁴⁷Consult factory for availability of 750 & 1000 watt.
- ⁴⁸May require deep ballast housing.
- ⁴⁹Must specify voltage.

General Notes:

All accessories are field installed.
Mogul base lamp only.
All options factory installed.

Warning: Refer to and follow the lamp manufacturer's warnings and instructions.

DIMENSIONS



ENERGY DATA

HIGH PRESSURE SODIUM

CWA BALLAST INPUT WATTS

- 400 watt-464 watts
- 750 watt-840 watts
- 1000 watt-1100 watts

METAL HALIDE

CWA BALLAST INPUT WATTS

- 400 watt-452 watts
- 450 watt-508 watts
- 575 watt-645 watts
- 750 watt-810 watts
- 775 watt-845 watts
- 875 watt-940 watts
- 1000 watt-1080 watts

