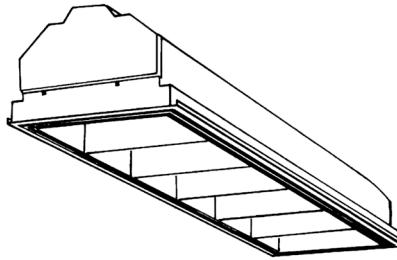


# PHILIPS Day-Brite CFI

## Recessed

### LP3 paralouver 1x4

1 Lamp, T8, T5, or T5HO  
6 or 8 cell



Project: \_\_\_\_\_  
 Location: \_\_\_\_\_  
 Cat.No: \_\_\_\_\_  
 Type: \_\_\_\_\_  
 Lamps: \_\_\_\_\_ Qty: \_\_\_\_\_  
 Notes: \_\_\_\_\_

The Philips Day-Brite / Philips CFI LP3 paralouver recessed is designed to provide the optimum balance of visual comfort, luminaire efficiency, and low cost.

#### Ordering guide

Example: 1LP3GS132-16FL-UNV-1/1-EBHE-LPT835HL

Width	Family	Ceiling Type	Air Function	No. of Lamps (not included)	Lamp Type	Louver Config. (cells wide x cells long)	Louver Finish	Voltage	Options
1	LP3			1					
1 1'	LP3 LP3 paralouver	G Grid F Flange Z Z-Spline/ Modular	A Air supply C Combination (air & heat transfer) H Heat transfer S Static (no air function)	1	28 28WT5 (46") 32 32WT8 (48") 54HO 54WT5HO (46")	16 1x6 18 1x8	AL Semi-specular anodized aluminum low iridescence FL Full specular low iridescence	120 277 347 UNV Universal Voltage 120-277V	1/1 One 1-lamp ballast APC Air pattern control blades ASC Snap out air slot covers PAF Housing painted after fabrication EB Electronic ballast, <10% THD, std. ballast factor EB10R T8 electronic ballast, program rapid start, <10% THD EBHE T8 electronic ballast, high efficiency, std. ballast factor EBLHE T8 electronic ballast, high efficiency, low ballast factor EBHHE T8 electronic ballast, high efficiency, high ballast factor EBSD T8 electronic step dimming ballast, .88 ballast factor EBD7 Advance Mark 7 dimming ballast, 0-10V (low voltage) control EBDX Advance Mark 10 dimming ballast, phase control EBD Electronic dimming ballast, customer specified E1 B100 emerg. ballast, T8, 350-450 lumens, 120/277V E1CAN B100-CAN emerg. ballast, Canada market, T8, 350-450 lumens, 120/347V E7 B60 emerg. ballast, T8, 600-700 lumens, 120/277V E5 B50 emerg. ballast, U.S. or Canada market, T8, 1100-1400 lumens, UNV E5CAN B50-CAN emerg. ballast, Canada market, T8, 1100-1400 lumens, 120/347V ESST B50ST emerg. ballast w/self test, T8, 1100-1400 lumens, UNV E7LP LP550 emerg. ballast T5/T5HO, 430-700 lumens, 120/277V E6LP LP600 emerg. ballast U.S. or Canada market, T5/T5HO, 750-1325 lumens, 120/277V F1 3/8" flex, 3 wire 18 gauge 6' F2 3/8" flex, 4 wire 18 gauge 6' F2/5W 3/8" flex, 5 wire 18 gauge 6' GLR Fusing, fast blow LPT830 Installed T8/T5/T5HO lamps, 80+ CRI, 3000K LPT835 Installed T8/T5/T5HO lamps, 80+ CRI, 3500K LPT841 Installed T8/T5/T5HO lamps, 80+ CRI, 4100K LPT830HL Installed T8/T5 hi lumen lamps, 80+ CRI, 3000K LPT835HL Installed T8/T5 hi lumen lamps, 80+ CRI, 3500K LPT841HL Installed T8/T5 hi lumen lamps, 80+ CRI, 4100K CHIC Chicago plenum rated

#### Accessories (order separately)

- FMA14 1'x4' "F" mounting frame for NEMA "F" mounting



# 1LP3 LP3 paralouver recessed 1x4

1 lamp, T8, T5, or T5HO, 6 or 8 cell

## Application

- Low-brightness troffer for most ceilings:
  - Grid inverted T (NEMA “G”)
  - Flange-type for concealed mechanical suspension (NEMA “F”)
  - Modular and “Z” spline (NEMA “M/Z”)
- Designed for air supply/return through side slots and/or heat transfer. Select the appropriate catalog no. for air function desired. Air pattern control blades in side slots must be ordered as an option. Air boots by others.
- Excellent visual comfort and inconspicuous appearance.

## Construction/Finish

- Housing is multi-stage phosphate treated for maximum corrosion resistance and finish coat is high reflectance baked white enamel.
- Flat black finish inside perimeter reveal for “floating door” appearance.
- T bar grid clips built into fixture end plates, no extra parts required.

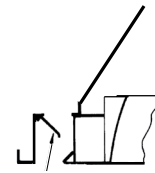
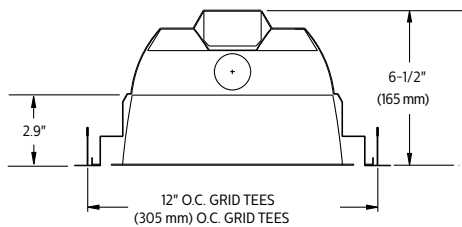
## Electrical

- cULus listed for damp locations.
- Self-contained fluorescent emergency power packs can be incorporated.

## Enclosure

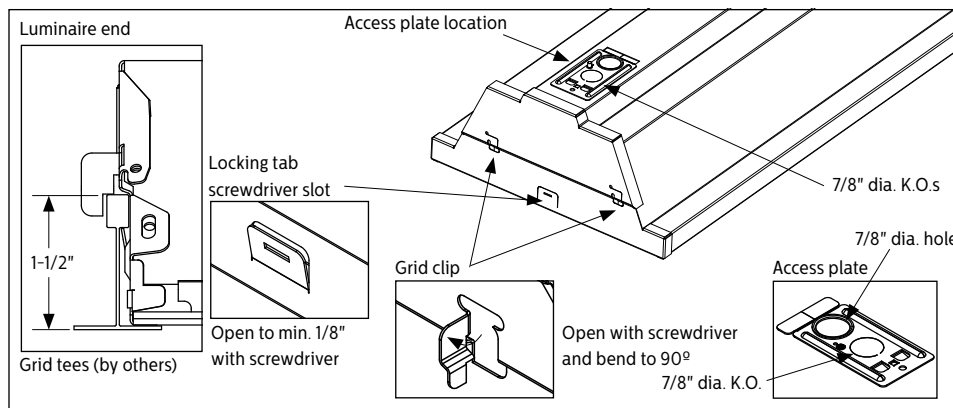
- Parabolic-shaped louvers closely controlled for uniform low-brightness appearance, and interlocked to avoid vibration.
- Choice of semi-specular (AL) or specular (FL) low iridescence anodized aluminum louver finishes.
- 6 Cell: Lengthwise shielding is 23°. Crosswise shielding is 37°.
- 8 Cell: Lengthwise shielding is 30°. Crosswise shielding is 37°.
- Bottom aluminum flange has mitered corners and fits flush with ceiling.
- Can be hinged and latched from either side.
- Shipped with plastic film to keep out construction dirt.
- Guide-post spring loaded latches standard.

## Dimensions



### Optional Air Pattern Control (on Air and Combination Units)

- Fully adjustable
- Closed= Static
- 45°= Horizontal Air Supply
- 90°= (fully open) – Vertical Air Supply
- Side Slots may also be used for Return Air to Plenum
- Snap-in Air Slot Covers (ASC) also available

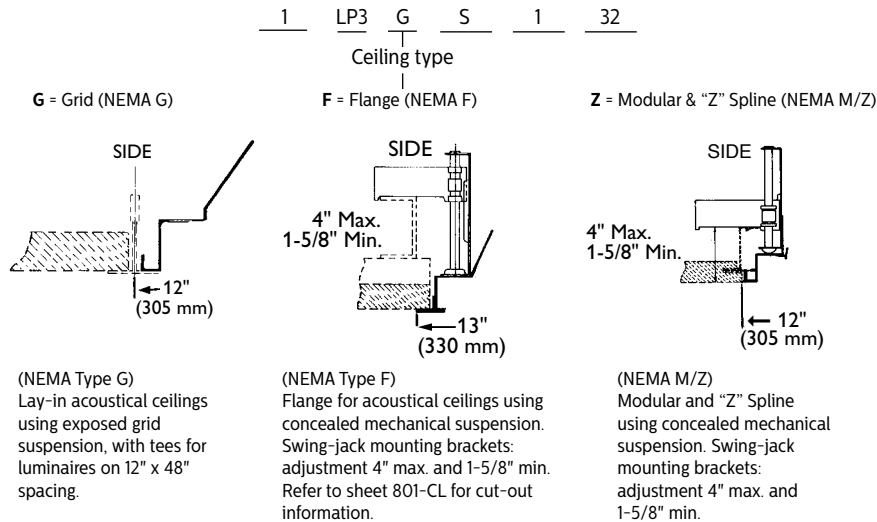


Some luminaires use fluorescent or high intensity discharge (HID) lamps that contain small amounts of mercury. Such lamps are labeled, “Contain Mercury” and/or the symbol “HG”. Lamps that contain mercury must be disposed of in accordance with local requirements. Information regarding lamp recycling and disposal can be found at [www.lamprecycle.org](http://www.lamprecycle.org)

# 1LP3 LP3 paralouver recessed 1x4

1 lamp, T8, T5, or T5HO, 6 or 8 cell

## Ceiling configuration



## Photometry

### LP3 1x4 1 Lamp T8 6 Cell

Efficiency – 72.8%

LER – 61

TER – 55

<b>Catalog No.</b> 1LP3GS132-16AL-1/1-EB <b>Test No.</b> 20580 <b>S/MH</b> 2.0 <b>Lamp Type</b> F32T8 <b>Lumens/Lamp</b> 2850 <b>Ballast Factor</b> .88 <b>Input Watts</b> 30  Comparative yearly lighting energy cost per 1000 lumens – <b>\$3.93</b> based on 3000 hrs. and \$.08 pwr KWH.  The photometric results were obtained in the Philips Day-Brite laboratory which is NVLAP accredited by the National Institute of Standards and Technology.	<b>Candlepower</b>				<b>Light Distribution</b>				<b>Average Luminance</b>																																																																																																																																			
	<b>Angle</b>	<b>End</b>	<b>45</b>	<b>Cross</b>	<b>Degrees</b>	<b>Lumens</b>	<b>% Lamp</b>	<b>% Luminaire</b>	<b>Angle</b>	<b>End</b>	<b>45'</b>	<b>Cross</b>																																																																																																																																
	0	704	704	704	0-30	559	19.6	26.9	45	2266	3654	4995																																																																																																																																
	5	701	703	699	0-40	980	34.4	47.2	55	2027	3396	2097																																																																																																																																
	10	687	694	694	0-60	1892	66.4	91.2	65	1152	1264	1230																																																																																																																																
	15	666	678	685	0-90	2075	72.8	100.0	75	154	225	253																																																																																																																																
	20	638	656	685					85	42	83	83																																																																																																																																
	25	610	641	700	<b>Coefficients of Utilization</b> <b>EFFECTIVE FLOOR CAVITY REFLECTANCE 20 PER (pfc=0.20)</b> <table border="1"> <tr> <td>pcc</td> <td colspan="3">80</td> <td colspan="3">70</td> <td colspan="3">50</td> </tr> <tr> <td>pw</td> <td>70</td> <td>50</td> <td>30</td> <td>70</td> <td>50</td> <td>30</td> <td>50</td> <td>30</td> </tr> <tr> <td>RCR</td> <td colspan="9"></td> </tr> <tr> <td>0</td> <td>86</td> <td>86</td> <td>86</td> <td>84</td> <td>84</td> <td>84</td> <td>81</td> <td>81</td> </tr> <tr> <td>1</td> <td>81</td> <td>78</td> <td>75</td> <td>79</td> <td>76</td> <td>73</td> <td>72</td> <td>70</td> </tr> <tr> <td>2</td> <td>73</td> <td>68</td> <td>64</td> <td>71</td> <td>67</td> <td>63</td> <td>65</td> <td>61</td> </tr> <tr> <td>3</td> <td>68</td> <td>60</td> <td>55</td> <td>66</td> <td>59</td> <td>55</td> <td>57</td> <td>53</td> </tr> <tr> <td>4</td> <td>61</td> <td>54</td> <td>47</td> <td>60</td> <td>53</td> <td>47</td> <td>51</td> <td>46</td> </tr> <tr> <td>5</td> <td>56</td> <td>47</td> <td>41</td> <td>56</td> <td>46</td> <td>41</td> <td>46</td> <td>40</td> </tr> <tr> <td>6</td> <td>53</td> <td>42</td> <td>36</td> <td>51</td> <td>42</td> <td>36</td> <td>40</td> <td>35</td> </tr> <tr> <td>7</td> <td>48</td> <td>39</td> <td>33</td> <td>46</td> <td>39</td> <td>33</td> <td>36</td> <td>32</td> </tr> <tr> <td>8</td> <td>45</td> <td>35</td> <td>28</td> <td>44</td> <td>34</td> <td>28</td> <td>34</td> <td>28</td> </tr> <tr> <td>9</td> <td>41</td> <td>32</td> <td>27</td> <td>40</td> <td>32</td> <td>26</td> <td>30</td> <td>26</td> </tr> <tr> <td>10</td> <td>39</td> <td>29</td> <td>23</td> <td>38</td> <td>28</td> <td>23</td> <td>28</td> <td>23</td> </tr> </table>								pcc	80			70			50			pw	70	50	30	70	50	30	50	30	RCR										0	86	86	86	84	84	84	81	81	1	81	78	75	79	76	73	72	70	2	73	68	64	71	67	63	65	61	3	68	60	55	66	59	55	57	53	4	61	54	47	60	53	47	51	46	5	56	47	41	56	46	41	46	40	6	53	42	36	51	42	36	40	35	7	48	39	33	46	39	33	36	32	8	45	35	28	44	34	28	34	28	9	41	32	27	40	32	26	30	26	10	39	29	23	38	28	23	28	23
	pcc	80											70			50																																																																																																																												
	pw	70	50	30									70	50	30	50	30																																																																																																																											
	RCR																																																																																																																																											
0	86	86	86	84									84	84	81	81																																																																																																																												
1	81	78	75	79									76	73	72	70																																																																																																																												
2	73	68	64	71									67	63	65	61																																																																																																																												
3	68	60	55	66									59	55	57	53																																																																																																																												
4	61	54	47	60									53	47	51	46																																																																																																																												
5	56	47	41	56									46	41	46	40																																																																																																																												
6	53	42	36	51	42	36	40	35																																																																																																																																				
7	48	39	33	46	39	33	36	32																																																																																																																																				
8	45	35	28	44	34	28	34	28																																																																																																																																				
9	41	32	27	40	32	26	30	26																																																																																																																																				
10	39	29	23	38	28	23	28	23																																																																																																																																				
30	574	631	749																																																																																																																																									
35	535	638	871																																																																																																																																									
40	491	670	974																																																																																																																																									
45	441	711	972																																																																																																																																									
50	385	692	668																																																																																																																																									
55	320	536	331																																																																																																																																									
60	242	294	234																																																																																																																																									
65	134	147	143																																																																																																																																									
70	39	59	51																																																																																																																																									
75	11	16	18																																																																																																																																									
80	4	7	8																																																																																																																																									
85	1	2	2																																																																																																																																									

### LP3 1x4 1 Lamp T8 6 Cell

Efficiency – 76.5%

LER – 64

TER – 57

<b>Catalog No.</b> 1LP3GS132-16FL-1/1-EB <b>Test No.</b> 20586 <b>S/MH</b> 2.1 <b>Lamp Type</b> F32T8 <b>Lumens/Lamp</b> 2850 <b>Ballast Factor</b> 0.88 <b>Input Watts</b> 30  Comparative yearly lighting energy cost per 1000 lumens – <b>\$3.75</b> based on 3000 hrs. and \$.08 pwr KWH.  The photometric results were obtained in the Philips Day-Brite laboratory which is NVLAP accredited by the National Institute of Standards and Technology.	<b>Candlepower</b>				<b>Light Distribution</b>				<b>Average Luminance</b>																																																																																																																																			
	<b>Angle</b>	<b>End</b>	<b>45</b>	<b>Cross</b>	<b>Degrees</b>	<b>Lumens</b>	<b>% Lamp</b>	<b>% Luminaire</b>	<b>Angle</b>	<b>End</b>	<b>45'</b>	<b>Cross</b>																																																																																																																																
	0	717	717	717	0-30	561	19.7	25.7	45	2307	4204	6187																																																																																																																																
	5	713	717	709	0-40	993	34.9	45.6	55	2008	4397	1742																																																																																																																																
	10	702	706	700	0-60	2017	70.8	92.5	65	1058	1126	1221																																																																																																																																
	15	682	688	687	0-90	2180	76.5	100.0	75	28	42	28																																																																																																																																
	20	656	665	677					85	0	0	0																																																																																																																																
	25	624	639	680	<b>Coefficients of Utilization</b> <b>EFFECTIVE FLOOR CAVITY REFLECTANCE 20 PER (pfc=0.20)</b> <table border="1"> <tr> <td>pcc</td> <td colspan="3">80</td> <td colspan="3">70</td> <td colspan="3">50</td> </tr> <tr> <td>pw</td> <td>70</td> <td>50</td> <td>30</td> <td>70</td> <td>50</td> <td>30</td> <td>50</td> <td>30</td> </tr> <tr> <td>RCR</td> <td colspan="9"></td> </tr> <tr> <td>0</td> <td>91</td> <td>91</td> <td>91</td> <td>89</td> <td>89</td> <td>89</td> <td>84</td> <td>84</td> </tr> <tr> <td>1</td> <td>84</td> <td>81</td> <td>79</td> <td>82</td> <td>80</td> <td>78</td> <td>77</td> <td>75</td> </tr> <tr> <td>2</td> <td>78</td> <td>71</td> <td>68</td> <td>76</td> <td>70</td> <td>67</td> <td>68</td> <td>65</td> </tr> <tr> <td>3</td> <td>70</td> <td>64</td> <td>57</td> <td>69</td> <td>63</td> <td>57</td> <td>60</td> <td>56</td> </tr> <tr> <td>4</td> <td>65</td> <td>56</td> <td>51</td> <td>64</td> <td>56</td> <td>50</td> <td>54</td> <td>48</td> </tr> <tr> <td>5</td> <td>59</td> <td>51</td> <td>44</td> <td>57</td> <td>50</td> <td>44</td> <td>47</td> <td>42</td> </tr> <tr> <td>6</td> <td>55</td> <td>45</td> <td>39</td> <td>54</td> <td>45</td> <td>38</td> <td>42</td> <td>38</td> </tr> <tr> <td>7</td> <td>51</td> <td>40</td> <td>34</td> <td>50</td> <td>40</td> <td>34</td> <td>39</td> <td>34</td> </tr> <tr> <td>8</td> <td>46</td> <td>36</td> <td>30</td> <td>46</td> <td>36</td> <td>29</td> <td>35</td> <td>29</td> </tr> <tr> <td>9</td> <td>44</td> <td>34</td> <td>28</td> <td>42</td> <td>33</td> <td>27</td> <td>32</td> <td>27</td> </tr> <tr> <td>10</td> <td>40</td> <td>30</td> <td>25</td> <td>40</td> <td>30</td> <td>25</td> <td>29</td> <td>25</td> </tr> </table>								pcc	80			70			50			pw	70	50	30	70	50	30	50	30	RCR										0	91	91	91	89	89	89	84	84	1	84	81	79	82	80	78	77	75	2	78	71	68	76	70	67	68	65	3	70	64	57	69	63	57	60	56	4	65	56	51	64	56	50	54	48	5	59	51	44	57	50	44	47	42	6	55	45	39	54	45	38	42	38	7	51	40	34	50	40	34	39	34	8	46	36	30	46	36	29	35	29	9	44	34	28	42	33	27	32	27	10	40	30	25	40	30	25	29	25
	pcc	80											70			50																																																																																																																												
	pw	70	50	30									70	50	30	50	30																																																																																																																											
	RCR																																																																																																																																											
0	91	91	91	89									89	89	84	84																																																																																																																												
1	84	81	79	82									80	78	77	75																																																																																																																												
2	78	71	68	76									70	67	68	65																																																																																																																												
3	70	64	57	69									63	57	60	56																																																																																																																												
4	65	56	51	64									56	50	54	48																																																																																																																												
5	59	51	44	57									50	44	47	42																																																																																																																												
6	55	45	39	54	45	38	42	38																																																																																																																																				
7	51	40	34	50	40	34	39	34																																																																																																																																				
8	46	36	30	46	36	29	35	29																																																																																																																																				
9	44	34	28	42	33	27	32	27																																																																																																																																				
10	40	30	25	40	30	25	29	25																																																																																																																																				
30	587	622	701																																																																																																																																									
35	547	621	934																																																																																																																																									
40	499	662	1094																																																																																																																																									
45	449	818	1204																																																																																																																																									
50	389	851	708																																																																																																																																									
55	317	694	275																																																																																																																																									
60	239	321	220																																																																																																																																									
65	123	131	142																																																																																																																																									
70	21	36	16																																																																																																																																									
75	2	3	2																																																																																																																																									
80	1	1	0																																																																																																																																									
85	0	0	0																																																																																																																																									

# 1LP3 LP3 paralouver recessed 1x4

1 lamp, T8, T5, or T5HO, 6 or 8 cell

## LP3 1x4 1 Lamp T8 8 Cell

Efficiency – 74.5%

LER – 62

TER – 57

Catalog No.	1LP3GSI32-18FL-1/1-EB	Candlepower				Light Distribution				Average Luminance					
		Angle	End	45	Cross	Degrees	Lumens	% Lamp	% Luminaire	Angle	End	45'	Cross		
Test No.	20587	0	726	726	726	0-30	566	19.9	26.7	45	2307	4204	6187		
S/MH	2.1	5	722	725	718	0-40	1000	35.1	47.1	55	2008	4397	1742		
Lamp Type	F32T8	10	709	714	709	0-60	2007	70.4	94.6	65	1058	1126	1221		
Lumens/Lamp	2850	15	689	695	694	0-90	2122	74.5	100.0	75	28	42	28		
Ballast Factor	0.88	20	661	670	685					85	0	0	0		
Input Watts	30	25	629	645	686	<b>Coefficients of Utilization</b>									
		30	591	627	716	<b>EFFECTIVE FLOOR CAVITY REFLECTANCE 20 PER (pfc=0.20)</b>									
		35	549	624	933	pcc	80			70			50		
		40	498	676	1098	pw	70	50	30	70	50	30	50	30	
		45	442	813	1203	RCR									
		50	376	846	782	0	89	89	89	86	86	86	82	82	
		55	297	631	279	1	82	80	77	81	78	76	75	72	
		60	178	269	225	2	76	70	67	73	69	66	67	64	
		65	46	96	136	3	69	63	57	68	61	56	59	55	
		70	3	17	17	4	64	56	50	61	55	48	53	47	
		75	1	2	2	5	58	50	44	56	48	42	47	41	
		80	0	0	1	6	54	45	38	53	44	38	42	36	
		85	1	1	1	7	50	40	34	48	40	34	39	33	
						8	46	36	30	45	35	29	34	29	
						9	42	33	27	41	33	27	32	27	
						10	40	30	25	39	29	25	29	23	
Comparative yearly lighting energy cost per 1000 lumens – \$3.87 based on 3000 hrs. and \$.08 pwr KWH.															
The photometric results were obtained in the Philips Day-Brite laboratory which is NVLAP accredited by the National Institute of Standards and Technology.															

## LP3 1x4 1 Lamp T8 8 Cell

Efficiency – 70.2%

LER – 59

TER – 54

Catalog No.	1LP3GSI32-18AL-1/1-EB	Candlepower				Light Distribution				Average Luminance					
		Angle	End	45	Cross	Degrees	Lumens	% Lamp	% Luminaire	Angle	End	45'	Cross		
Test No.	20581	0	714	714	714	0-30	560	19.7	28.0	45	2261	3530	5118		
S/MH	2.0	5	708	711	707	0-40	980	34.4	48.9	55	1958	3054	2110		
Lamp Type	F32T8	10	692	700	700	0-60	1861	65.3	93.0	65	774	946	1230		
Lumens/Lamp	2850	15	670	680	692	0-90	2001	70.2	100.0	75	154	197	211		
Ballast Factor	.88	20	644	658	690					85	42	42	83		
Input Watts	30	25	612	639	701	<b>Coefficients of Utilization</b>									
		30	578	627	745	<b>EFFECTIVE FLOOR CAVITY REFLECTANCE 20 PER (pfc=0.20)</b>									
		35	538	629	873	pcc	80			70			50		
		40	493	656	988	pw	70	50	30	70	50	30	50	30	
		45	440	687	996	RCR									
		50	381	652	683	0	83	83	83	81	81	81	78	78	
		55	309	482	333	1	78	75	72	76	73	70	70	68	
		60	207	254	237	2	71	67	63	69	65	61	63	59	
		65	90	110	143	3	66	58	54	64	57	53	56	52	
		70	28	39	48	4	59	53	46	58	52	46	50	46	
		75	11	14	15	5	56	46	40	54	46	40	45	40	
		80	4	6	6	6	51	41	35	50	41	35	40	35	
		85	1	1	2	7	46	38	32	46	38	32	36	32	
						8	44	34	28	42	34	28	33	28	
						9	40	32	26	40	30	26	30	26	
						10	38	28	23	36	28	23	28	23	
Comparative yearly lighting energy cost per 1000 lumens – \$4.07 based on 3000 hrs. and \$.08 pwr KWH.															
The photometric results were obtained in the Philips Day-Brite laboratory which is NVLAP accredited by the National Institute of Standards and Technology.															

© 2015 Koninklijke Philips N.V. All rights reserved.  
Philips reserves the right to make changes in specifications and/or to discontinue any product at any time without notice or obligation and will not be liable for any consequences resulting from the use of this publication.  
philips.com/luminaires



Philips Lighting, North America Corporation  
200 Franklin Square Drive, Somerset, NJ 08873  
Tel. 855-486-2216

Philips Lighting Canada Ltd.  
A division of Philips Electronics Ltd.  
281 Hillmount Rd, Markham, ON, Canada L6C 2S3  
Tel. 800-668-9008