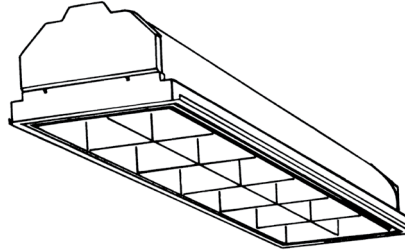


PHILIPS Day-Brite CFI

Recessed

LP3 paralouver 1x4

2 Lamp, T8, T5, or T5HO
12 or 16 cell



Project: _____
 Location: _____
 Cat.No: _____
 Type: _____
 Lamps: _____ Qty: _____
 Notes: _____

The Philips Day-Brite / Philips CFI LP3 paralouver recessed is designed to provide the optimum balance of visual comfort, luminaire efficiency, and low cost.

Ordering guide

Example: 1LP3GA232-26FL-UNV-1/2-EBLHE-LPT835HL

Width	Family	Ceiling Type	Air Function	No. of Lamps (not included)	Lamp Type	Louver Config. (cells wide x cells long)	Louver Finish	Voltage	Options
1	LP3			2					
1 1'	LP3 LP3 paralouver	G Grid F Flange Z Z-Spline/ Modular	A Air supply C Combination (air & heat transfer) H Heat transfer S Static (no air function)	2	28 28WT5 (46") 32 32WT8 (48") 54HO 54WT5HO (46")	26 2x6 28 2x8	AL Semi-specular anodized aluminum low iridescence FL Full specular low iridescence	120 277 347 UNV Universal Voltage 120-277V	1/2 One 2-lamp ballast APC Air pattern control blades ASC Snap out air slot covers PAF Housing painted after fabrication EB Electronic ballast, <10% THD, std. ballast factor EB10R T8 electronic ballast, program rapid start, <10% THD EBHE T8 electronic ballast, high efficiency, std. ballast factor EBLHE T8 electronic ballast, high efficiency, low ballast factor EBHHE T8 electronic ballast, high efficiency, high ballast factor EBSD T8 electronic step dimming ballast, .88 ballast factor EBD7 Advance Mark 7 dimming ballast, 0-10V (low voltage) control EBDX Advance Mark 10 dimming ballast, phase control EBD Electronic dimming ballast, customer specified E1 B100 emerg. ballast, T8, 350-450 lumens, 120/277V E1CAN B100-CAN emerg. ballast, Canada market, T8, 350-450 lumens, 120/347V E7 B60 emerg. ballast, T8, 600-700 lumens, 120/277V E5 B50 emerg. ballast, U.S. or Canada market, T8, 1100-1400 lumens, UNV E5CAN B50-CAN emerg. ballast, Canada market, T8, 1100-1400 lumens, 120/347V ESST B50ST emerg. ballast w/self test, 1T8, 100-1400 lumens, UNV E7LP LP550 emerg. ballast T5/T5HO, 430-700 lumens, 120/277V E6LP LP600 emerg. ballast U.S. or Canada market, T5/T5HO, 750-1325 lumens, 120/277V F1 3/8" flex, 3 wire 18 gauge 6' F2 3/8" flex, 4 wire 18 gauge 6' F2/5W 3/8" flex, 5 wire 18 gauge 6' GLR Fusing, fast blow LPT830 Installed T8/T5/T5HO lamps, 80+ CRI, 3000K LPT835 Installed T8/T5/T5HO lamps, 80+ CRI, 3500K LPT841 Installed T8/T5/T5HO lamps, 80+ CRI, 4100K LPT830HL Installed T8/T5 hi lumen lamps, 80+ CRI, 3000K LPT835HL Installed T8/T5 hi lumen lamps, 80+ CRI, 3500K LPT841HL Installed T8/T5 hi lumen lamps, 80+ CRI, 4100K CHIC Chicago plenum rated

Accessories (order separately)

- FMA14 1'x4' "F" mounting frame for NEMA "F" mounting



1LP3 LP3 paralouver recessed 1x4

2 lamp, T8, T5, or T5HO, 12 or 16 cell

Application

- Low-brightness troffer for most ceilings:
 - Grid inverted T (NEMA “G”)
 - Flange-type for concealed mechanical suspension (NEMA “F”)
 - Modular and “Z” spline (NEMA “M/Z”)
- Designed for air supply/return through side slots and/or heat transfer. Select the appropriate catalog no. for air function desired. Air pattern control blades in side slots must be ordered as an option. Air boots by others.
- Excellent visual comfort and inconspicuous appearance.

Construction/Finish

- Housing is multi-stage phosphate treated for maximum corrosion resistance and finish coat is high reflectance baked white enamel.
- Flat black finish inside perimeter reveal for “floating door” appearance.
- T bar grid clips built into fixture end plates, no extra parts required.

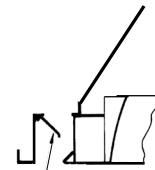
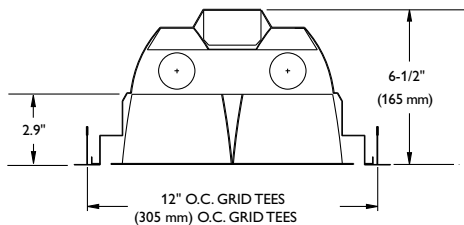
Electrical

- cULus listed for damp locations.
- Self-contained fluorescent emergency power packs can be incorporated.

Enclosure

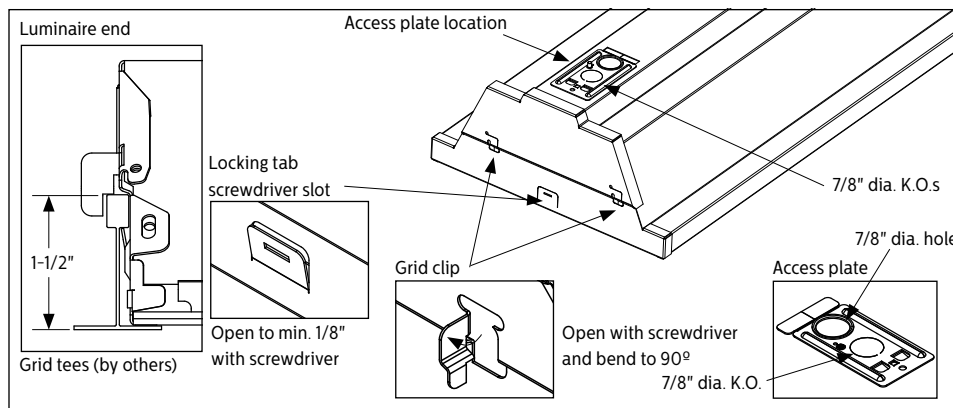
- Parabolic-shaped louvers closely controlled for uniform low-brightness appearance, and interlocked to avoid vibration.
- Choice of semi-specular (AL) or specular (FL) low iridescence anodized aluminum louver finishes.
- 12 Cell: Lengthwise shielding is 23°. Crosswise shielding is 51°.
- 16 Cell: Lengthwise shielding is 30°. Crosswise shielding is 51°.
- Bottom aluminum flange has mitered corners and fits flush with ceiling.
- Can be hinged and latched from either side.
- Shipped with plastic film to keep out construction dirt.
- Guide-post spring loaded latches standard.

Dimensions



Optional Air Pattern Control (on Air and Combination Units)

- Fully adjustable
- Closed= Static
- 45°= Horizontal Air Supply
- 90°= (fully open) – Vertical Air Supply
- Side Slots may also be used for Return Air to Plenum
- Snap-in Air Slot Covers (ASC) also available

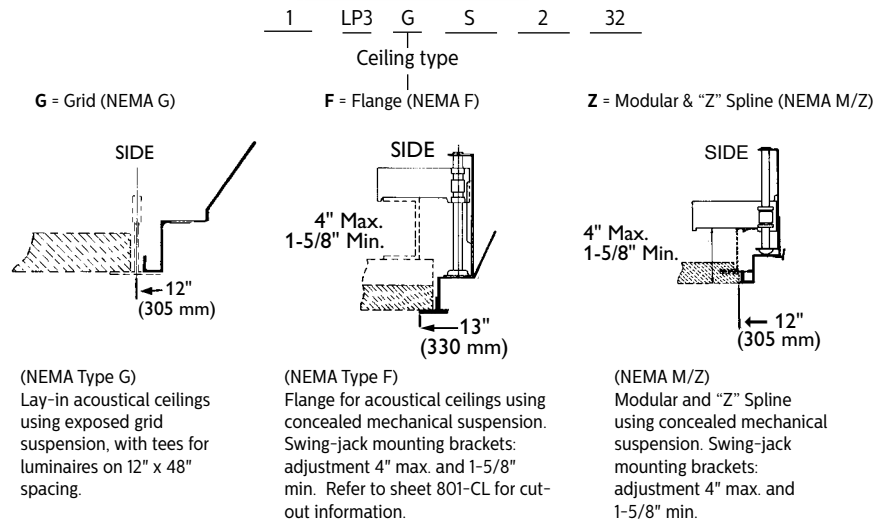


Some luminaires use fluorescent or high intensity discharge (HID) lamps that contain small amounts of mercury. Such lamps are labeled, “Contain Mercury” and/or the symbol “HG”. Lamps that contain mercury must be disposed of in accordance with local requirements. Information regarding lamp recycling and disposal can be found at www.lamprecycle.org

1LP3 LP3 paralouver recessed 1x4

2 lamp, T8, T5, or T5HO, 12 or 16 cell

Ceiling configuration



Photometry

LP3 1x4 2 Lamp T8 12 Cell

Efficiency – 65.1%

LER – 56

TER – 52

Catalog No. 1LP3GS232-26FL-1/2-EB Test No. 20627 S/MH 1.4 Lamp Type F32T8 Lumens/Lamp 2850 Ballast Factor 0.88 Input Watts 58 Comparative yearly lighting energy cost per 1000 lumens – \$4.29 based on 3000 hrs. and \$.08 pwr KWH. The photometric results were obtained in the Philips Day-Brite laboratory which is NVLAP accredited by the National Institute of Standards and Technology.	Candlepower				Light Distribution				Average Luminance			
	Angle	End	45	Cross	Degrees	Lumens	% Lamp	% Luminaire	Angle	End	45'	Cross
0	1693	1693	1693	0-30	1210	21.2	32.6	45	5406	6475	5514	
5	1689	1691	1684	0-40	2011	35.3	54.2	55	4669	5144	3060	
10	1663	1665	1633	0-60	3549	62.3	95.7	65	2296	490	60	
15	1618	1592	1491	0-90	3708	65.1	100.0	75	56	56	28	
20	1555	1457	1241					85	42	42	0	
25	1480	1241	1213	Coefficients of Utilization								
30	1393	1129	1278	EFFECTIVE FLOOR CAVITY REFLECTANCE 20 PER (pfc=0.20)								
35	1293	1108	1548	pcc	80	70	50	30	70	50	30	
40	1179	1170	1424	pw	70	50	30	70	50	30	50	
45	1052	1260	1073	RCR								
50	904	1084	1354	0	77	77	77	76	76	76	71	
55	737	812	483	1	71	69	68	70	68	67	66	
60	554	523	54	2	67	63	58	65	60	57	58	
65	267	57	7	3	61	56	51	59	55	51	53	
70	19	7	4	4	56	50	45	56	48	45	47	
75	4	4	2	5	53	45	40	51	44	40	42	
80	2	2	1	6	48	40	35	47	40	34	39	
85	1	1	0	7	45	36	32	44	36	32	35	
				8	41	34	28	40	33	28	33	
				9	39	30	26	38	30	26	29	
				10	36	28	23	35	28	23	28	

LP3 1x4 2 Lamp T8 12 Cell

Efficiency – 60.5%

LER – 52

TER – 48

Catalog No. 1LP3GS232-26AL-1/2-EB Test No. 20633 S/MH 1.2 Lamp Type F32T8 Lumens/Lamp 2850 Ballast Factor .88 Input Watts 58 Comparative yearly lighting energy cost per 1000 lumens – \$4.62 based on 3000 hrs. and \$.08 pwr KWH. The photometric results were obtained in the Philips Day-Brite laboratory which is NVLAP accredited by the National Institute of Standards and Technology.	Candlepower				Light Distribution				Average Luminance			
	Angle	End	45	Cross	Degrees	Lumens	% Lamp	% Luminaire	Angle	End	45'	Cross
0	1625	1625	1625	0-30	1148	20.1	33.3	45	5026	5242	5524	
5	1614	1613	1603	0-40	1883	33.0	54.6	55	4390	4308	3516	
10	1579	1562	1536	0-60	3228	56.6	93.7	65	2519	1324	653	
15	1528	1472	1398	0-90	3446	60.5	100.0	75	463	351	239	
20	1472	1339	1250					85	167	167	83	
25	1391	1202	1222	Coefficients of Utilization								
30	1306	1111	1258	EFFECTIVE FLOOR CAVITY REFLECTANCE 20 PER (pfc=0.20)								
35	1208	1080	1365	pcc	80	70	50	30	70	50	30	
40	1101	1064	1280	pw	70	50	30	70	50	30	50	
45	978	1020	1075	RCR								
50	844	869	1048	0	71	71	71	69	69	69	67	
55	693	680	555	1	67	65	63	66	64	61	60	
60	512	435	192	2	61	57	55	60	56	54	55	
65	293	154	76	3	56	52	47	56	51	46	48	
70	90	53	36	4	53	46	41	52	46	40	44	
75	33	25	17	5	48	41	36	47	40	36	40	
80	14	11	8	6	45	38	33	44	36	33	35	
85	4	4	2	7	41	34	29	40	34	28	33	
				8	39	32	27	38	30	27	29	
				9	36	28	23	35	28	23	28	
				10	34	27	22	34	26	22	26	

1LP3 LP3 paralouver recessed 1x4

2 lamp, T8, T5, or T5HO, 12 or 16 cell

LP3 1x4 2 Lamp T8 16 Cell

Efficiency – 63.7%

LER – 55

TER – 51

		Candlepower				Light Distribution				Average Luminance			
		Angle	End	45	Cross	Degrees	Lumens	% Lamp	% Luminaire	Angle	End	45'	Cross
Catalog No.	1LP3GS232-28FL-1/2-EB	0	1716	1716	1716	0-30	1222	21.4	33.7	45	5334	6326	5576
Test No.	20628	5	1709	1714	1703	0-40	2024	35.5	55.8	55	4511	5315	3503
S/MH	1.4	10	1677	1682	1656	0-60	3532	62.0	97.3	65	1015	224	69
Lamp Type	F32T8	15	1631	1603	1522	0-90	3629	63.7	100.0	75	56	42	28
Lumens/Lamp	2850	20	1566	1474	1262					85	42	0	0
Ballast Factor	0.88	25	1488	1253	1231								
Input Watts	58	30	1396	1136	1277								
		35	1296	1116	1544								
		40	1176	1184	1430								
		45	1038	1231	1085								
		50	892	1056	1341								
		55	712	839	553								
		60	429	366	70								
		65	118	26	8								
		70	10	6	4								
		75	4	3	2								
		80	2	1	0								
		85	1	0	0								
Comparative yearly lighting energy cost per 1000 lumens – \$4.36 based on 3000 hrs. and \$.08 pwr KWH.													
The photometric results were obtained in the Philips Day-Brite laboratory which is NVLAP accredited by the National Institute of Standards and Technology.													

LP3 1x4 2 Lamp T8 16 Cell

Efficiency – 57.8%

LER – 50

TER – 46

		Candlepower				Light Distribution				Average Luminance			
		Angle	End	45	Cross	Degrees	Lumens	% Lamp	% Luminaire	Angle	End	45'	Cross
Catalog No.	1LP3GS232-28AL-1/2-EB	0	1631	1631	1631	0-30	1148	20.1	34.9	45	4841	4974	5370
Test No.	20634	5	1619	1621	1615	0-40	1869	32.8	56.7	55	3915	3833	3427
S/MH	1.1	10	1577	1574	1555	0-60	3129	54.9	95.0	65	1513	860	645
Lamp Type	F32T8	15	1520	1481	1424	0-90	3293	57.8	100.0	75	365	309	267
Lumens/Lamp	2850	20	1453	1351	1251					85	125	125	83
Ballast Factor	.88	25	1375	1197	1219								
Input Watts	58	30	1285	1099	1246								
		35	1184	1059	1339								
		40	1068	1029	1248								
		45	942	968	1045								
		50	791	805	1012								
		55	618	605	541								
		60	393	336	183								
		65	176	100	75								
		70	60	44	37								
		75	26	22	19								
		80	10	10	8								
		85	3	3	2								
Comparative yearly lighting energy cost per 1000 lumens – \$4.80 based on 3000 hrs. and \$.08 pwr KWH.													
The photometric results were obtained in the Philips Day-Brite laboratory which is NVLAP accredited by the National Institute of Standards and Technology.													

© 2015 Koninklijke Philips N.V. All rights reserved.
 Philips reserves the right to make changes in specifications and/or to discontinue any product at any time without notice or obligation and will not be liable for any consequences resulting from the use of this publication.
philips.com/luminaires



Philips Lighting, North America Corporation
 200 Franklin Square Drive, Somerset, NJ 08873
 Tel. 855-486-2216

Philips Lighting Canada Ltd.
 A division of Philips Electronics Ltd.
 281 Hillmount Rd, Markham, ON, Canada L6C 2S3
 Tel. 800-668-9008