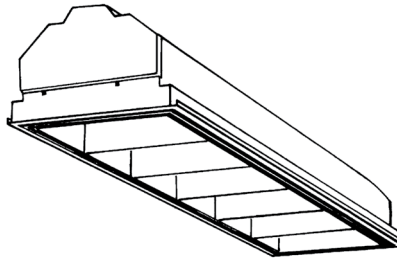


PHILIPS
Day-Brite
CFI

Recessed

LP3 paralouver 1x4

2 Lamp, T8, T5, or T5HO
6 or 8 cell



Project: _____
Location: _____
Cat.No: _____
Type: _____
Lamps: _____ Qty: _____
Notes: _____

The Philips Day-Brite / Philips CFI LP3 paralouver recessed is designed to provide the optimum balance of visual comfort, luminaire efficiency, and low cost.

Ordering guide

Example: 1LP3G5232-16FL-UNV-1/2-EBLHE-LPT835HL

Width	Family	Ceiling Type	Air Function	No. of Lamps (not included)	Lamp Type	Louver Config. (cells wide x cells long)	Louver Finish	Voltage	Options
1	LP3			2					
1 1'	LP3 LP3 paralouver	G Grid F Flange Z Z-Spline/ Modular	A Air supply C Combination (air & heat transfer) H Heat transfer S Static (no air function)	2	28 28WT5 (46") 32 32WT8 (48") 54HO 54WT5HO (46")	16 1x6 18 1x8	AL Semi-specular anodized aluminum low iridescence FL Full specular low iridescence	120 277 347 UNV Universal Voltage 120-277V	1/2 One 2-lamp ballast APC Air pattern control blades ASC Snap out air slot covers PAF Housing painted after fabrication EB Electronic ballast, <10% THD, std. ballast factor EB10R T8 electronic ballast, program rapid start, <10% THD EBHE T8 electronic ballast, high efficiency, std. ballast factor EBLHE T8 electronic ballast, high efficiency, low ballast factor EBHHE T8 electronic ballast, high efficiency, high ballast factor EBSD T8 electronic step dimming ballast, .88 ballast factor EBD7 Advance Mark 7 dimming ballast, 0-10V (low voltage) control EBDX Advance Mark 10 dimming ballast, phase control EBD Electronic dimming ballast, customer specified E1 B100 emerg. ballast, T8, 350-450 lumens, 120/277V E1CAN B100-CAN emerg. ballast, Canada market, T8, 350-450 lumens, 120/347V E7 B60 emerg. ballast, T8, 600-700 lumens, 120/277V E5 B50 emerg. ballast, U.S. or Canada market, T8, 1100-1400 lumens, UNV E5CAN B50-CAN emerg. ballast, Canada market, T8, 1100-1400 lumens, 120/347V ESST B50ST emerg. ballast w/self test, T8, 1100-1400 lumens, UNV E7LP LP550 emerg. ballast T5/T5HO, 430-700 lumens, 120/277V E6LP LP600 emerg. ballast U.S. or Canada market, T5/T5HO, 750-1325 lumens, 120/277V F1 3/8" flex, 3 wire 18 gauge 6' F2 3/8" flex, 4 wire 18 gauge 6' F2/5W 3/8" flex, 5 wire 18 gauge 6' GLR Fusing, fast blow LPT830 Installed T8/T5/T5HO lamps, 80+ CRI, 3000K LPT835 Installed T8/T5/T5HO lamps, 80+ CRI, 3500K LPT841 Installed T8/T5/T5HO lamps, 80+ CRI, 4100K LPT830HL Installed T8/T5 hi lumen lamps, 80+ CRI, 3000K LPT835HL Installed T8/T5 hi lumen lamps, 80+ CRI, 3500K LPT841HL Installed T8/T5 hi lumen lamps, 80+ CRI, 4100K CHIC Chicago plenum rated

Accessories (order separately)

- **FMA14** 1'x4' "F" mounting frame for NEMA "F" mounting



1LP3 LP3 paralouver recessed 1x4

2 lamp, T8, T5, or T5HO, 6 or 8 cell

Application

- Low-brightness troffer for most ceilings:
 - Grid inverted T (NEMA “G”)
 - Flange-type for concealed mechanical suspension (NEMA “F”)
 - Modular and “Z” spline (NEMA “M/Z”)
- Designed for air supply/return through side slots and/or heat transfer. Select the appropriate catalog no. for air function desired. Air pattern control blades in side slots must be ordered as an option. Air boots by others.
- Excellent visual comfort and inconspicuous appearance.

Construction/Finish

- Housing is multi-stage phosphate treated for maximum corrosion resistance and finish coat is high reflectance baked white enamel.
- Flat black finish inside perimeter reveal for “floating door” appearance.
- T bar grid clips built into fixture end plates, no extra parts required.

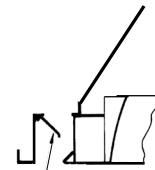
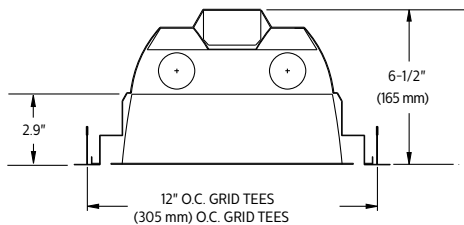
Electrical

- cULus listed for damp locations.
- Self-contained fluorescent emergency power packs can be incorporated.

Enclosure

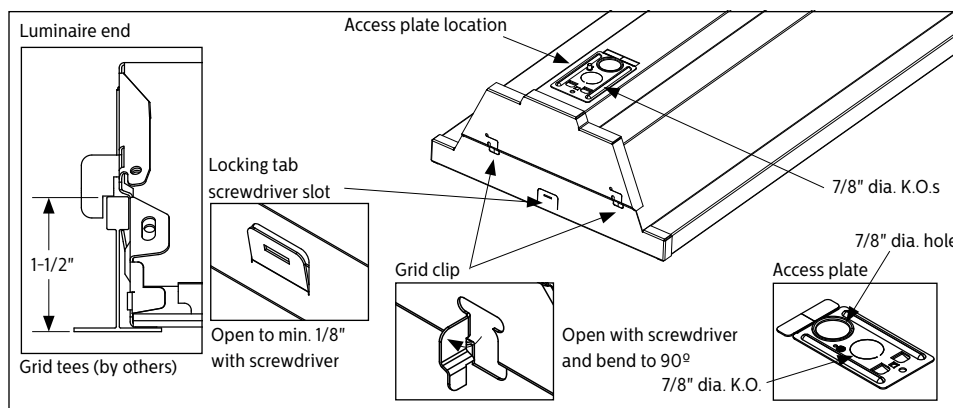
- Parabolic-shaped louvers closely controlled for uniform low-brightness appearance, and interlocked to avoid vibration.
- Choice of semi-specular (AL) or specular (FL) low iridescence anodized aluminum louver finishes.
- 6 Cell: Lengthwise shielding is 23°. Crosswise shielding is 29°.
- 8 Cell: Lengthwise shielding is 30°. Crosswise shielding is 29°.
- Bottom aluminum flange has mitered corners and fits flush with ceiling.
- Can be hinged and latched from either side.
- Shipped with plastic film to keep out construction dirt.
- Guide-post spring loaded latches standard.

Dimensions



Optional Air Pattern Control (on Air and Combination Units)

- Fully adjustable
- Closed= Static
- 45°= Horizontal Air Supply
- 90°= (fully open) – Vertical Air Supply
- Side Slots may also be used for Return Air to Plenum
- Snap-in Air Slot Covers (ASC) also available

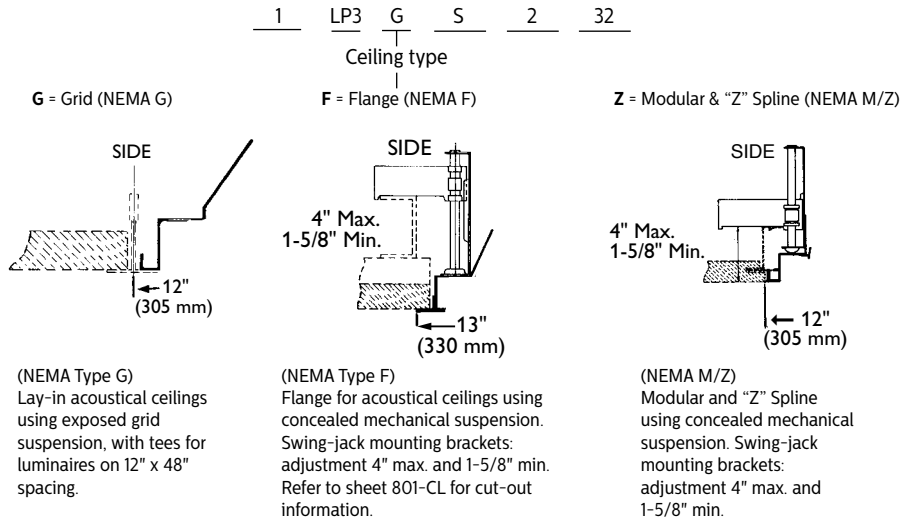


Some luminaires use fluorescent or high intensity discharge (HID) lamps that contain small amounts of mercury. Such lamps are labeled, “Contain Mercury” and/or the symbol “HG”. Lamps that contain mercury must be disposed of in accordance with local requirements. Information regarding lamp recycling and disposal can be found at www.lamprecycle.org

1LP3 LP3 paralouver recessed 1x4

2 lamp, T8, T5, or T5HO, 6 or 8 cell

Ceiling configuration



Photometry

LP3 1x4 2 Lamp T8 6 Cell

Efficiency – 73.8%

LER – 64

TER – 55

Catalog No. 1LP3GS232-16FL-1/2-EB Test No. 20623 S/MH 1.7 Lamp Type F32T8 Lumens/Lamp 2850 Ballast Factor 0.88 Input Watts 58 Comparative yearly lighting energy cost per 1000 lumens – \$3.75 based on 3000 hrs. and \$.08 pwr KWH. The photometric results were obtained in the Philips Day-Brite laboratory which is NVLAP accredited by the National Institute of Standards and Technology.	Candlepower				Light Distribution				Average Luminance			
	Angle	End	45	Cross	Degrees	Lumens	% Lamp	% Luminaire	Angle	End	45'	Cross
0	1540	1540	1540	0-30	1213	21.3	28.8	45	4995	7482	6552	
5	1535	1536	1521	0-40	2098	36.8	49.9	55	4397	6227	5771	
10	1509	1518	1513	0-60	3915	68.7	93.1	65	2244	2167	1892	
15	1469	1490	1496	0-90	4206	73.8	100.0	75	56	70	42	
20	1415	1450	1466					85	42	42	42	
25	1346	1399	1450	Coefficients of Utilization								
30	1270	1345	1497	EFFECTIVE FLOOR CAVITY REFLECTANCE 20 PER (pfc=0.20)								
35	1182	1315	1794	pcc	80	70	50					
40	1080	1379	1693	pw	70	50	30	70	50	30	50	30
45	972	1456	1275	RCR								
50	843	1274	1517	0	88	88	88	85	85	85	81	81
55	694	983	911	1	81	79	76	80	77	75	73	71
60	525	719	367	2	75	69	66	73	68	65	66	63
65	261	252	220	3	68	61	56	67	60	56	58	55
70	32	55	23	4	64	55	50	61	55	48	53	47
75	4	5	3	5	57	50	42	56	48	42	46	41
80	2	2	1	6	54	45	38	53	44	38	42	36
85	1	1	1	7	50	40	34	48	40	34	39	33
				8	46	36	30	45	35	29	34	29
				9	42	34	28	41	33	28	32	27
				10	40	30	25	39	30	25	29	25

LP3 1x4 2 Lamp T8 6 Cell

Efficiency – 70.2%

LER – 61

TER – 58

Catalog No. 1LP3GS232-16AL-1/2-EB Test No. 20630 S/MH 1.6 Lamp Type F32T8 Lumens/Lamp 2850 Ballast Factor .88 Input Watts 58 Comparative yearly lighting energy cost per 1000 lumens – \$3.93 based on 3000 hrs. and \$.08 pwr KWH. The photometric results were obtained in the Philips Day-Brite laboratory which is NVLAP accredited by the National Institute of Standards and Technology.	Candlepower				Light Distribution				Average Luminance			
	Angle	End	45	Cross	Degrees	Lumens	% Lamp	% Luminaire	Angle	End	45'	Cross
0	1510	1510	1510	0-30	1190	20.9	29.8	45	4861	6449	6742	
5	1501	1506	1498	0-40	2029	35.6	50.7	55	4321	5505	5265	
10	1472	1485	1489	0-60	3669	64.4	91.7	65	2339	2450	2021	
15	1430	1455	1473	0-90	3999	70.2	100.0	75	295	407	463	
20	1376	1411	1460					85	125	208	250	
25	1310	1367	1461	Coefficients of Utilization								
30	1236	1330	1501	EFFECTIVE FLOOR CAVITY REFLECTANCE 20 PER (pfc=0.20)								
35	1150	1302	1619	pcc	80	70	50					
40	1053	1295	1539	pw	70	50	30	70	50	30	50	30
45	946	1255	1312	RCR								
50	824	1093	1250	0	83	83	83	81	81	81	78	78
55	682	869	831	1	78	75	72	76	72	70	70	68
60	509	605	411	2	71	67	61	69	65	61	63	59
65	272	285	235	3	66	58	54	64	57	53	56	52
70	76	99	85	4	59	53	46	58	52	46	50	46
75	21	29	33	5	56	46	40	54	46	40	45	40
80	8	12	15	6	51	42	36	50	41	35	40	35
85	3	5	6	7	47	39	33	46	38	32	36	32
				8	44	34	28	42	34	28	34	28
				9	40	32	27	40	32	26	30	26
				10	39	29	23	38	28	23	28	23

1LP3 LP3 paralouver recessed 1x4

2 lamp, T8, T5, or T5HO, 6 or 8 cell

LP3 1x4 2 Lamp T8 8 Cell		Efficiency – 71.7%				LER – 62				TER – 57								
Catalog No.	1LP3GS232-18FL-1/2-EB	Candlepower				Light Distribution				Average Luminance								
Test No.	20624	Angle	End	45	Cross	Degrees	Lumens	% Lamp	% Luminaire	Angle	End	45'	Cross					
S/MH	1.7	0	1551	1551	1551	0-30	1218	21.4	29.8	45	4913	7405	6840					
Lamp Type	F32T8	5	1545	1549	1536	0-40	2102	36.9	51.4	55	4118	6272	5993					
Lumens/Lamp	2850	10	1516	1529	1528	0-60	3885	68.2	95.0	65	808	1522	1814					
Ballast Factor	0.88	15	1473	1498	1508	0-90	4089	71.7	100.0	75	28	56	56					
Input Watts	58	20	1417	1454	1479					85	42	42	42					
		25	1347	1401	1462	Coefficients of Utilization												
		30	1268	1350	1507	EFFECTIVE FLOOR CAVITY REFLECTANCE 20 PER (pfc=0.20)												
		35	1178	1320	1806	pcc	80			70			50					
		40	1072	1374	1713	pw	70	50	30	70	50	30	50	30				
		45	956	1441	1331	RRCR												
		50	817	1252	1536	0	84	84	84	82	82	82	80	80				
		55	650	990	946	1	80	77	75	78	75	72	71	70				
		60	376	595	376	2	73	68	65	71	67	64	65	61				
		65	94	177	211	3	68	60	56	66	59	55	57	54				
		70	5	28	29	4	61	55	48	60	54	47	52	46				
		75	2	4	4	5	56	48	42	56	47	42	46	41				
		80	2	2	2	6	53	44	38	52	42	38	41	36				
		85	1	1	1	7	48	40	34	47	39	34	38	33				
						8	46	35	29	44	35	29	34	29				
						9	41	33	28	40	33	27	32	27				
						10	40	30	25	39	29	25	28	25				
Comparative yearly lighting energy cost per 1000 lumens – \$3.87 based on 3000 hrs. and \$.08 pwr KWH.																		
The photometric results were obtained in the Philips Day-Brite laboratory which is NVLAP accredited by the National Institute of Standards and Technology.																		

LP3 1x4 2 Lamp T8 8 Cell		Efficiency – 68.1%				LER – 59				TER – 54								
Catalog No.	1LP3GS232-18AL-1/2-EB	Candlepower				Light Distribution				Average Luminance								
Test No.	20631	Angle	End	45	Cross	Degrees	Lumens	% Lamp	% Luminaire	Angle	End	45'	Cross					
S/MH	1.6	0	1532	1532	1532	0-30	1196	21.0	30.8	45	4810	6264	6814					
Lamp Type	F32T8	5	1524	1525	1517	0-40	2034	35.7	52.4	55	4074	5131	5467					
Lumens/Lamp	2850	10	1488	1501	1507	0-60	3624	63.6	93.4	65	1453	1754	2012					
Ballast Factor	.88	15	1441	1464	1488	0-90	3880	68.1	100.0	75	295	351	379					
Input Watts	58	20	1386	1418	1475					85	83	167	167					
		25	1317	1365	1471	Coefficients of Utilization												
		30	1242	1324	1512	EFFECTIVE FLOOR CAVITY REFLECTANCE 20 PER (pfc=0.20)												
		35	1152	1287	1647	pcc	80			70			50					
		40	1054	1271	1570	pw	70	50	30	70	50	30	50	30				
		45	936	1219	1326	RRCR												
		50	803	1053	1287	0	81	81	81	79	79	79	76	76				
		55	643	810	863	1	76	72	70	73	70	68	68	67				
		60	410	513	414	2	69	65	60	68	64	59	60	57				
		65	169	204	234	3	64	57	53	63	56	52	55	51				
		70	52	66	79	4	58	52	46	57	51	46	48	45				
		75	21	25	27	5	54	46	40	53	46	40	44	40				
		80	8	11	12	6	50	41	35	48	40	35	40	34				
		85	2	4	4	7	46	38	32	45	36	32	35	32				
						8	42	34	28	41	34	28	33	28				
						9	40	32	26	40	30	26	30	26				
						10	38	28	23	36	28	23	28	23				
Comparative yearly lighting energy cost per 1000 lumens – \$4.07 based on 3000 hrs. and \$.08 pwr KWH.																		
The photometric results were obtained in the Philips Day-Brite laboratory which is NVLAP accredited by the National Institute of Standards and Technology.																		

© 2015 Koninklijke Philips N.V. All rights reserved.
 Philips reserves the right to make changes in specifications and/or to discontinue any product at any time without notice or obligation and will not be liable for any consequences resulting from the use of this publication.
philips.com/luminaires



Philips Lighting, North America Corporation
 200 Franklin Square Drive, Somerset, NJ 08873
 Tel. 855-486-2216

Philips Lighting Canada Ltd.
 A division of Philips Electronics Ltd.
 281 Hillmount Rd, Markham, ON, Canada L6C 2S3
 Tel. 800-668-9008