

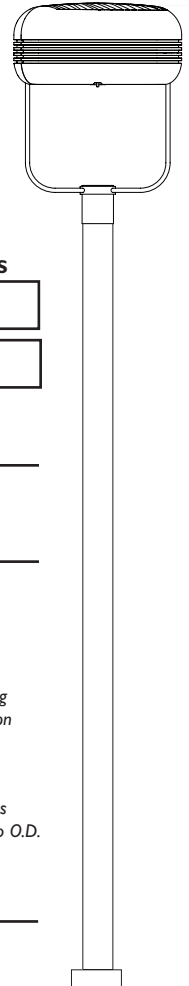
Job:
 Type:
 Notes:

Featuring CosmoPolis Electronic HID Systems

Contura

CTP Post Top Mount Luminaires

Gardco Post Top Contura products are cutoff luminaires utilizing CosmoPolis high performance ceramic metal halide electronic systems and suitable for high intensity discharge lamps up to 400 watts. Luminaires are manufactured from die cast aluminum and finished in an TGIC polyester powdercoat. Contura luminaires can accept one of five (5) interchangeable and rotatable precision segmented optical systems. Luminaires feature the Gardco architectural single plane dual yoke design, contoured to match the housing profile. Flat glass lens luminaires provide full cutoff performance.



PREFIX	MOUNTING	DISTRIBUTION	WATTAGE	VOLTAGE	FINISH	OPTIONS
<input type="text"/>	<input type="text"/>	<input type="text"/>	<input type="text"/>	<input type="text"/>	<input type="text"/>	<input type="text"/>

Enter the order code into the appropriate box above. Note: Gardco reserves the right to refuse a configuration. Not all combinations and configurations are valid. Refer to notes below for exclusions and limitations. For questions or concerns, please consult the factory.

PREFIX

CTP17 17" Contura - Post Top Mount Luminaire **CTP21** 21" Contura - Post Top Mount Luminaire

MOUNTING

Contura Post Top Mounting Matrix ¹						
	4" SSS Pole 4.00" Sq. Max. O.D. 3.62" Sq. Min. I.D.	5" SSS Pole 5.00" Sq. Max. O.D. 4.62" Sq. Min. I.D.	4" RA / SRS Pole 4.00" Max. O.D. 3.62" Min. I.D.	5" RA / SRS Pole 5.00" Max. O.D. 4.62" Min. I.D.	T2 ² 2 3/8" O.D. by 4" Tenon	T4 4" O.D. by 6" Tenon
CTP17	P11 (Illustration 1)	Not Available	P13 (Illustration 1)	Not Available	P15 (Illustration 2)	Not Available
CTP21	P21 (Illustration 1)	P22 (Illustration 1)	Not Available	P24 (Illustration 1)	P25 (Illustration 2)	P26 (Illustration 3)

1. See mounting illustrations on page 2.
 2. Suitable for mounting on tapered poles with 2.4" top O.D.

DISTRIBUTION

- 17" Contura**
2XL Type II
3XL Type III
4XL Type IV
- 21" Contura**
I Type I
2XL Type II
3XL Type III
4XL Type IV
BLC Backlight Control
Q Type V

All distributions feature horizontal lamp position.

WATTAGE

	17" Contura	21" Contura	
Pulse Start MH Magnetic Ballast	100MH³ 150MH³	200MH^E 320PSMH⁴ ^E 250PS90**^E 350PSMH⁴ ^E 250PSMH^E 400PSMH⁴ ^E	
CosmoPolis Electronic System	60CMPE⁵	90CMPE⁵	140CMPE⁵
Standard MH Magnetic Ballast*	175MH³*³	250MH[*]	400MH^{*4}
High Pressure Sodium Magnetic Ballast	100HPS³ 150HPS³	250HPS	400HPS

E Wattages marked with Circle "E" meet federal energy efficiency standards applicable to 150 watt through 500 watt metal halide luminaires only.

VOLTAGE

120 **208**
240 **277**
347 **480**

200-277
 CMPE types only.

QUAD
 120/208/240/277V
 wired to 277V.

3. Medium base lamp.
 4. Requires E28/BT28 lamp.
 5. 120V or 200 - 277V only. CosmoPolis systems are supplied with lamp. Not available with QS, QST, Q924 or QT924 options.

* 175MH, 250MH and 400MH not available for sale in the United States.

** 250 watt Pulse Start Metal Halide with a 90% efficient magnetic ballast. Complies with California Title 20 effective 1/1/2010. Available in 120, 208, 240 or 277V only.

1611 Clovis Barker Road, San Marcos, TX 78666
 (800) 227-0758 (512) 753-1000 FAX: (512) 753-7855 sitelighting.com

© 2012 Koninklijke Philips Electronics N.V. All Rights Reserved.

Philips Gardco reserves the right to change materials or modify the design of its product without notification as part of the company's continuing product improvement program.

G200-008/0612

PHILIPS



FINISH

BRP	Bronze Paint
BLP	Black Paint
BGP	Beige Paint
WP	White Paint
NP	Natural Aluminum Paint
LSP	Light Sandstone Paint
DSP	Dark Sandstone Paint
RBP	Red Brick Paint
LGP	Light Granite Paint
DGP	Dark Granite Paint
OC	Optional Color Paint Specify Optional Color or RAL ex: OC-LGP or OC-RAL7024.
SC	Special Paint Specify. Must supply color chip.

OPTIONS

F	Fusing In Head
LF	In-Line/In-Pole Fusing
PC⁶	Photocontrol and Receptacle
PCR	Photocontrol Receptacle only
POLY⁷	External Polycarbonate Shield
HS	Internal Houseside Shield
QS⁸	Quartz Standby
QST⁸	Quartz Standby - Timed Delay
Q924⁸	Quartz Emergency
QT924⁸	Quartz Emergency - Timed Delay

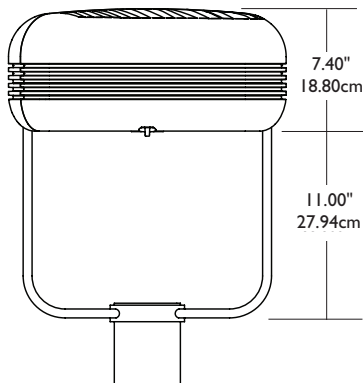
GMR⁹	Provision for Gardco Motion Response
L6¹⁰	LumiStep Ballast 6 hour
L8¹⁰	LumiStep Ballast 8 hour
L10¹⁰	LumiStep Ballast 10 hour

6. Not available with 480V. Provide specific input voltage.
 7. Polycarbonate shields carry 1 year warranty only.
 8. See QS / Q924 Table.
 9. Available only with CTP17, 150HPS, or CTP21, 250PSMH through 400PSMH and 250HPS through 400HPS wattages. Includes dual-level capacitor and wiring to connect to Gardco Motion Response System.
 10. Available with CosmoPolis system only. See submittal sheet GE200-005 for complete information on LumiStep ballasts.

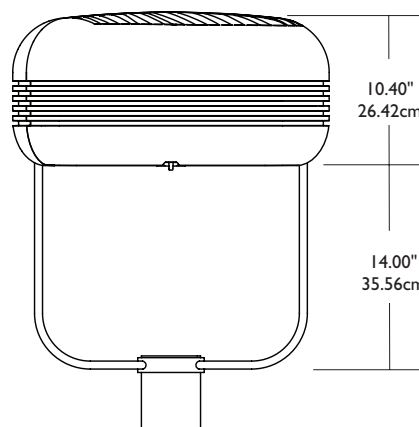
(Note 8) QS / Q924 Table	
HID Lamp Watts	Maximum Quartz Lamp Watts
175 watts or less	100 Watts
Above 175 watts up to 400 watts	150 Watts
17" luminaires limited to 100 watt quartz lamp maximum regardless of HID wattage.	

DIMENSIONS AND EPA

CTP17



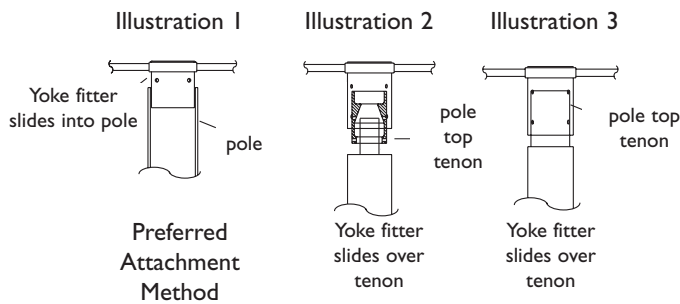
CTP21



EPA's	
Size	EPA
CTP17	0.7 ft ² .07 m ²
CTP21	1.2 ft ² .11 m ²

Approximate Weights	
Size	Weight
CTA17	47 lbs 21.3 kg
CTP21	62 lbs 28.1 kg

MOUNTING ILLUSTRATIONS :



SPECIFICATIONS

GENERAL: Each Gardco Contura is a cutoff luminaire for high intensity discharge lamps. Units are designed with half-cube proportions. Internal components are totally enclosed, rain-tight, dust-tight and corrosion resistant. No venting of optical system or electrical components is required or permitted. Lamping requires no lifting or hinging of the luminaire housing, disturbing wiring or exposing uninsulated live parts.

HOUSING: Contura housings are comprised of a two piece low-profile die cast aluminum housing with raised reveals and a single concealed joint. Pressure injected silicone and solid silicone gasketing provide a continuous weathertight seal at all miters and points of material transition.

POST TOP MOUNTING: The 9/16" diameter parallel yokes of high strength, low mass schedule 40 steel are precisely contoured to match the housing silhouette. The yoke assembly is designed for mounting compatibility with a variety of poles and pole top tenons. Yoke is electrogalvanized and coated with satin black polyurethane.

LENS: Lens is optically clear, heat and impact resistant tempered flat glass, sealed to the housing.

OPTICAL SYSTEMS: The segmented optical systems are manufactured from homogenous sheet aluminum which has been electrochemically brightened, anodized and sealed. The multifaceted arc image duplicating systems are designed to produce IES Types I (I), II (2XL), III (3XL), IV (4XL), and V (Q). With the 2XL, 3XL and 4XL luminaires, the reflector facets form a conical fan around the arc tube with each facet positioned to be precisely tangent to the top of the arc tube. The lampholder is glazed porcelain with a nickel plated screw shell. HID luminaires feature porcelain lampholders.

ELECTRICAL: Each HID core and coil high power factor ballast is the separate component type. For luminaires provided with CosmoPolis, each high power factor ballast is electronic, designed specifically for the CosmoPolis high performance ceramic metal halide electronic system. Ballasts are capable of providing reliable lamp starting down to -20°F/-29°C. The ballast is mounted on a unitized tray and secured within the luminaire, above the reflector system. Component-to-component wiring within the luminaire will carry no more than 80% of rated current and is listed by UL for use at 600 VAC at 301°F/150°C or higher. Plug disconnects are listed by UL for use at 600 VAC, 15A or higher.

FINISH: Each standard color luminaire receives a fade and abrasion resistant, electrostatically applied, thermally cured, triglycidyl isocyanurate (TGIC) textured polyester powdercoat finish. Standard colors are as listed. Consult factory for specifications on optional or special colors.

LABELS: All luminaires bear UL or CUL (where applicable) Wet Location labels.

WARRANTY: Gardco luminaires feature a 5 year limited warranty. See Warranty Information on www.sitelighting.com for complete details and exclusions. Polycarbonate lenses and shields carry a 1 year warranty only.

FULL CUTOFF PERFORMANCE: Full cutoff performance means a luminaire distribution where zero candela intensity occurs at an angle at or above 90° above nadir. Additionally, the candela per 1000 lamp lumens does not numerically exceed 100 (10 percent) at a vertical angle of 80° above nadir. This applies to all lateral angles around the luminaire.

CUTOFF PERFORMANCE: Cutoff performance means a luminaire distribution where the candela per 1000 lamp lumens does not numerically exceed 25 (2.5 percent) at an angle at or above 90° above nadir, and 100 (10 percent) at a vertical angle of 80° above nadir. This applies to all lateral angles around the luminaire.

1611 Clovis Barker Road, San Marcos, TX 78666
(800) 227-0758 (512) 753-1000 FAX: (512) 753-7855 [sitelighting.com](http://www.sitelighting.com)

© 2012 Koninklijke Philips Electronics N.V. All Rights Reserved.

Philips Gardco reserves the right to change materials or modify the design of its product without notification as part of the company's continuing product improvement program.

G200-008/0612

PHILIPS

