

FINISH		OPTIONS	
BRP	Bronze Paint	F	Fusing
BLP	Black Paint	PCB ⁷	Button Type Photocontrol
WP	White Paint	QS ⁸	Quartz Standby
NP	Natural Aluminum Paint	QST ⁸	Quartz Standby - Timed Delay
BGP	Beige Paint	Q924 ⁹	Quartz Emergency
OC	Optional Color Paint <i>Specify Optional Color or RAL ex: OC-LGP or OC-RAL7024.</i>	QT924 ⁹	Quartz Emergency - Timed Delay
SC	Special Paint <i>Specify. Must supply color chip.</i>	Q12V ^{9,17}	Quartz 12V Emergency
		Q20MR ^{10,17}	(2)MR16 12V Emergency - 20 Watt
		Q35MR ^{10,17}	(2)MR16 12V Emergency - 35 Watt
		ELED ^{16,17}	(2)LED 12V Emergency Modules - 6.2 Watt
		SL	Solite [®] Diffusing Lens
		UT	5° Uptilt
		WS ¹¹	Wall Mounted Box for Surface Conduit
		WS/UT ¹¹	WS Option w/5° Uptilt
		WG	Wire Guard

*Not available with 480V.6SHFLI9ROWD#
HID only, Not available with CMHE Ballasts, FT Optics or in 480V. 100 watt Quartz maximum 3URXGHGERW#UV
WT Optic only. 150w HID maximum, 100w Quartz maximum 3URXGHGERW#UV
WT Optic only. 50CMHE or 70CMHE only. Supplied with two (2) 20W MR16 or two (2) 35W MR16 Flood (40° beam) lamps. Rear entry permitted.
All Emergency Battery Packs for EMR types MUST be ordered with luminaires and supplied by Gardco.
CAUTION: Maximum battery pack input power for EMR units with ICE420 option is 100 watts (.83 amps) when heating element is on. This is in addition to the normal input power for luminaire lamps and ballast.*

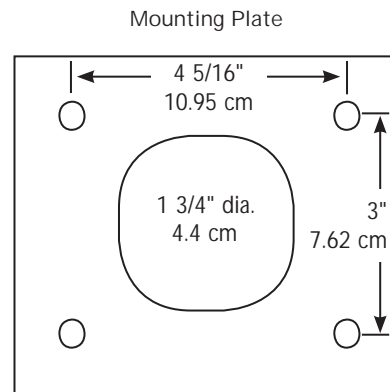
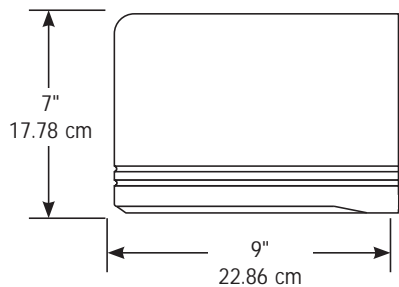
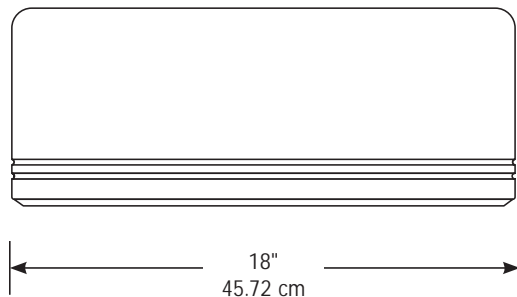
14. Lamps are wired in parallel. In emergency mode, should one lamp become inoperable, the remaining lamp will operate with a minimum total initial output of 2,250 lumens.

*WT Optic only. 50CMHE or 70CMHE only. Supplied with two 6.2 watt, 300 lumen LED modules.
Requires a separate source of 12V power by others.*

EMR LUMINAIRES ONLY¹²

B84CG	Bodine Remote Emergency Pack
ICE420 ¹³	IOTA Remote Emergency Battery Pack <i>226QF / 232TRF only.</i>
1162 ¹⁴	IOTA Remote Emergency Battery Pack <i>226QF / 232TRF / 242TRF only.</i>

DIMENSIONS



Mounting Bolt Pattern

Note: Mounting plate center is located in the center of the luminaire width and 3.5" (8.89cm) above the luminaire bottom (lens down position). Splices must be made in the J-box (by others). Mounting plate must be secured by max. 5/16" (.79cm) diameter bolts (by others) structurally to the wall.

SPECIFICATIONS

GENERAL: Each Gardco 104 luminaire is a wall mounted cutoff luminaire for high intensity discharge or compact fluorescent lamps. Internal components are totally enclosed in a rain-tight, dust-tight and corrosion resistant housing. The housing, back plate and door frame are die cast aluminum. Three (3) highly efficient downlight optical systems are available. Luminaires are suitable for wet locations (damp locations if inverted).

HOUSING: Housings are die cast aluminum. A memory retentive gasket seals the housing to the door frame to exclude moisture, dust, insects and pollutants from the optical system. Units feature a prismatic tempered glass top lens which is mechanically secured and silicone sealed. A black, die cast ribbed backplate dissipates heat for longer lamp and ballast life.

DOOR FRAME: A single-piece die cast aluminum door frame integrates to the housing form. The door frame is hinged closed and secured to the housing with two (2) captive stainless steel fasteners. The heat and impact resistant 1/8 (.32cm) tempered glass lens and one-piece gasket are mechanically secured to the door frame with four (4) galvanized steel retainers.

OPTICAL SYSTEMS: Reflectors are composed of specular extruded and faceted components, electropolished, anodized and sealed. Reflector segments are set in arc tube image duplicating patterns to achieve the wide throw, forward throw or medium throw downlight distributions.

ELECTRICAL:

STANDARD LUMINAIRES: Each high power factor HID core and coil ballast is the separate component type. For luminaires provided with CosmoPolis™, each high power factor ballast is electronic, designed specifically for the CosmoPolis™ high performance ceramic metal halide electronic system. All HID ballasts are capable of providing reliable lamp starting down to -20°F/-29°C. Standard fluorescent units have a starting temperature of 0°F/-18°C. Standard fluorescent ballasts are high power factor electronic solid state. Component-to-component wiring within the luminaire will carry no more than 80% of rated current and is listed by UL for use at 600 VAC at 150°C or higher. Plug disconnects are listed by UL for use at 600 VAC, 15A or higher.

LUMINAIRES with Q924 / G12V / QMR20 / QMR35 / ELED OPTIONS: Luminaires with the Q924 or QT 924 options require a separate source of 120V power (by others.) Luminaires with Q12V, Q20MR, Q35MR or ELED options require a separate source of 12V power (by others.)

EMERGENCY LUMINAIRES: All emergency luminaires feature an indicator light visible through the lens and a test switch accessible through the door assembly. Minimum battery pack ambient temperatures are as indicated in the 104 Emergency Sconce Table. In the event of a power interruption, emergency luminaires will power compact fluorescent lamps as indicated in the 104 Emergency Sconce Table at reduced light levels for a minimum of 90 minutes.

EMR LUMINAIRES include a 7.5'/2.29m, 12 wire, quick disconnect assembly for wiring through conduit (by others) to a B84CG, I162 or ICE420 fluorescent emergency battery pack. The fluorescent emergency battery pack **MUST** be supplied by Gardco. The B84CG, I162 or ICE420 option required on the order to the factory.

CAUTION: Maximum battery pack input power for EMR units with ICE420 option is 100 watts (.83 amps) when heating element is on. This is in addition to the normal input power for luminaire lamps and ballast.

104 Emergency Luminaire	Battery Pack Min. Ambient Temperature	Lamps Powered in Emergency Mode
104EM (Integral)	32°F / 0°C	(1) 26, (1) 32, or (1) 42 Watt Compact Fluorescent Lamp
104EMR (Remote) with B84CG Option	32° F/ 0°C	
104EMR (Remote) with I162 Option ¹⁹	32° F/ 0°C	(2) 26, (2) 32, or (2) 42 Watt Compact Fluorescent Lamps
104EMR (Remote) with ICE420 Option ²⁰	0°F / -18°C	(2) 26, or (2) 32 Watt Compact Fluorescent Lamps

Notes:

- 18. Contact Philips Gardco for emergency lumen output data.
- 19. Lamps are wired in parallel. In emergency mode, should one lamp become inoperable, the remaining lamp will operate with a minimum total initial output of 2,250 lumens.
- 20. CAUTION: Maximum battery pack input power for EMR units with ICE420 option is 100 watts(.83 amps) when heating element is on. This is in addition to the normal input power for luminaire lamps and ballast.

LAMPHOLDER: Pulse rated medium base sockets are glazed porcelain with nickel plated screw shell. Fluorescent sockets are high temperature (PBT) with brass contacts.

FINISH: Each standard color luminaire receives a fade and abrasion resistant, electrostatically applied, thermally cured, triglycidal isocyanurate (TGIC) textured polyester powdercoat finish. Standard colors are as listed. Consult factory for specs on custom colors.

LABELS: All luminaires bear UL or CUL (where applicable) labels, except as noted. Lens down application is Wet Location and lens up is Damp Location. Emergency luminaires do not bear CUL label.

WARRANTY: 5 year limited warranty. See philips.com/luminaires for complete details and exclusions.