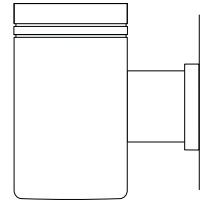


Job:  
 Type:  
 Notes:

# Cylinders

## 300 Line Enclosed Universal with Knuckle

The Philips Gardco 300 Line is a series of compact, high performance cylinder luminaires in a variety of styles and mounting configurations. The Enclosed Uplight style uses high intensity discharge, or incandescent lamps. Housings are die cast aluminum with twin architectural reveals located near the luminaire apertures. Wall mounting with dual clear assembly lens is standard.



PREFIX	MODEL	MOUNTING	TRIMS	LAMP	VOLTAGE	FINISH	OPTIONS

Enter the order code into the appropriate box above. Note: Philips Gardco reserves the right to refuse a configuration. Not all combinations and configurations are valid. Refer to notes below for exclusions and limitations. For questions or concerns, please consult the factory.

PREFIX	MODEL	MOUNTING	TRIMS
300	E Enclosed Universal with Knuckle	K Knuckle	CL Clear Lens

Luminaires cannot be field modified to change optics or lamp types.

LAMP / VOLTAGE CHART	120	208	240	277	347	480
<i>E17</i>						
50MH	●			●	●	
70MH	●	●	●	●	●	
100MH	●	●	●	●	●	●
50HPS	●			●	●	
70HPS	●	●	●	●	●	
100HPS	●	●	●	●		
<i>PAR38</i>						
P70MH	●	●	●	●	●	
P100MH	●	●	●	●	●	●
<i>Incandescent</i>						
250PAR38	●					
300R40	●					

FINISH	DESCRIPTION
BRP	Bronze Paint
BLP	Black Paint
WP	White Paint
NP	Natural Aluminum Paint
BGP	Beige Paint
VP	Verde Green Paint
OC	Optional Color Paint Specify RAL designation ex: OC-RAL7024.
SC	Special Color Paint Specify. Must supply color chip.

OPTIONS	DESCRIPTION
F	Fusing

MH - Metal Halide HPS - High Pressure Sodium

Luminaires cannot be field modified to change optics or lamp types.

1611 Clovis Barker Road, San Marcos, TX 78666  
 (800) 227-0758 (512) 753-1000 FAX: (512) 753-7855 [sitelighting.com](http://sitelighting.com)

© 2011 Koninklijke Philips Electronics N.V. All Rights Reserved.

Philips Gardco reserves the right to change materials or modify the design of its product without notification as part of the company's continuing product improvement program.

79115-108/0711

**PHILIPS**



### SPECIFICATIONS

**HOUSING:** Housings are diecast aluminum in a single-piece cylindrical form of corrosion resistant alloy, 1/8" min. wall thickness. Units are 7.5" in diameter and 12" in height, nominal measurements.

### MOUNTING:

**Knuckle:** Three (3) piece cast assembly permits 360° rotation of the unit around the axis normal to the mounting plane. An integral cast knuckle with aiming teeth, graduated for 5° increments, permits 180° rotation around the access parallel to the mounting plane. The unit is firmly secured in position by a center lock screw within the axis of the knuckle.

**Cast J-box:** Cast box is provided for knuckle mounting, which is suitable for surface mounting on walls, ceilings or floors. The J-box may also be recessed and used in concrete pour applications.

### LIGHT CONTROL (Trim):

**Dual Clear Assembly Lens (CL):** Clear lens trims include a dual lens assembly mounted within a die cast aluminum frame.

**ELECTRICAL:** Internal ballast will be provided based on the specified lamp configuration.

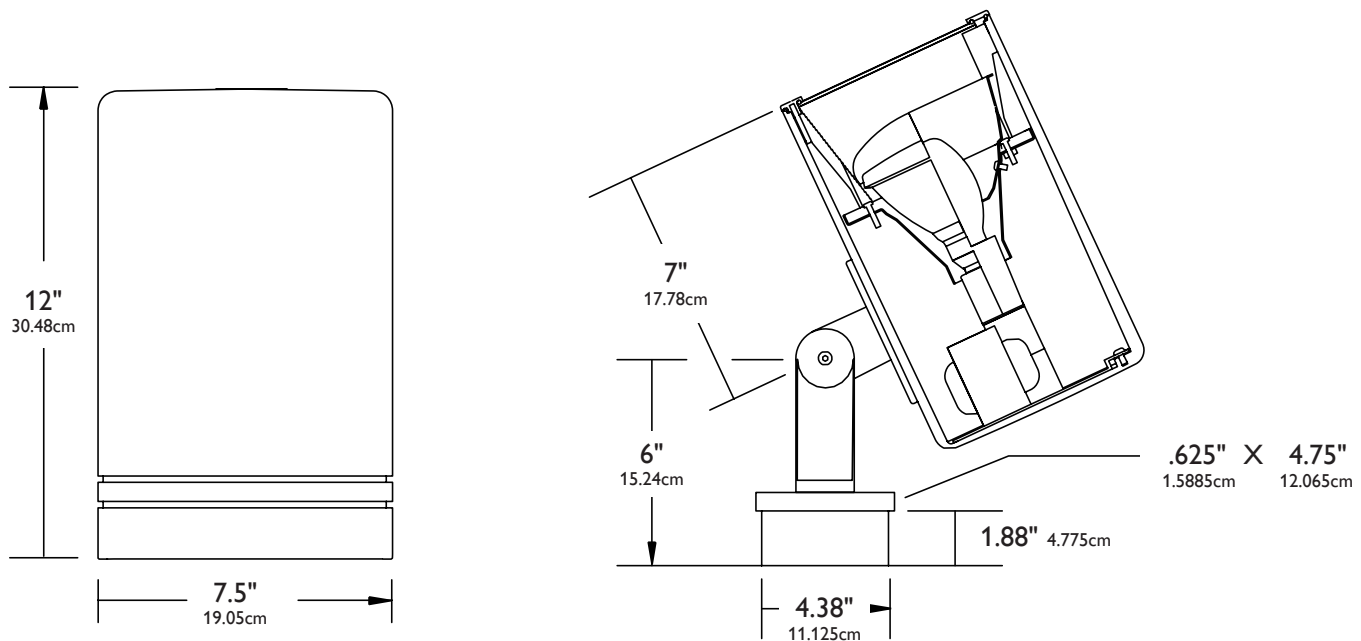
**LAMPHOLDER:** Pulse-rated medium base lampholders are glazed porcelain with nickel-plated screw shell.

**FINISH:** Each luminaire receives a fade and abrasion resistant, electrostatically applied, thermally cured, textured TGIC polyester powdercoat finish.

**LABELS:** All Luminaires bear UL or CUL (where applicable) Wet Location labels.

**WARRANTY:** Philips Gardco luminaires feature a 5 year limited warranty. See Warranty Information on [www.sitelighting.com](http://www.sitelighting.com) for complete details and exclusions. Polycarbonate lenses carry a 1 year warranty only.

### DIMENSIONS



1611 Clovis Barker Road, San Marcos, TX 78666

(800) 227-0758 (512) 753-1000 FAX: (512) 753-7855 [sitelighting.com](http://www.sitelighting.com)

© 2011 Koninklijke Philips Electronics N.V. All Rights Reserved.

Philips Gardco reserves the right to change materials or modify the design of its product without notification as part of the company's continuing product improvement program.

79115-108/0711

**PHILIPS**

**GARDCO**