

A performance luminaire in every sense, the 110 Line combines high output and cutoff illumination with design and construction worthy of landmark architecture. The 113 Mini Sconce is a half-cylinder up/downlight, producing cutoff performance without the high angle brightness of refractor type products, and providing an attractive choice for controlled illumination at points of entry. Seamless material transitions, flawless finishes and engineering considerate of installation, service and long term operation makes one immediately appreciate that size need not compromise quality. 113 luminaires installed in the normal downlight position, with a flat glass lens, provide cutoff performance

Project: _____
 Location: _____
 Cat.No: _____
 Type: _____
 Lamps: _____ Qty: _____
 Notes: _____

Ordering Guide

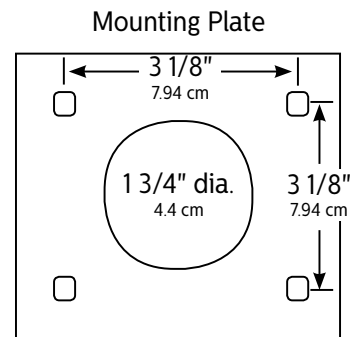
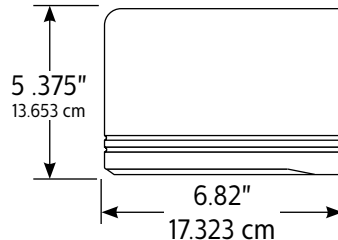
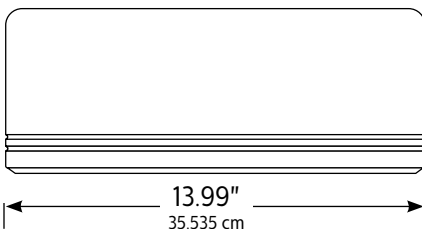
example: 113FT-UT39MH120BRPF

Prefix	Distribution	Wattage	Voltage	Finish	Options
113					
113 Half-Cylinder Up/Downlight <i>Refer to configuration chart below for available combinations².</i>	FT-U Forward Throw with Uplight T6 MH and CMHE types only WT-U Wide Throw with Uplight T6 MH and CMHE types only MT-U Medium Throw with Uplight Fluorescent and E-17 HID lamps only	T39MH T70MH T39CMHE¹ T70CMHE¹ 50MH 70MH 35HPS 50HPS 70HPS 26QF¹ 32TRF¹ 42TRF1 T39MH T70MH T39CMHE¹ T70CMHE¹ INC	120 208 240 277 347 480	BRP Bronze Paint BLP Black Paint WP White Paint NP Natural Aluminum Paint BGP Beige Paint OC Optional Color Paint <i>Specify RAL designation ex: OC-RAL7024.</i> SC Special Color Paint <i>Specify. Must supply color chip.</i>	F³ Fusing PCB⁴ Button Type Photocontrol SL Solite [®] Diffusing Lens WG Wire Guard WS⁵ Wall Mounted Box for Surface Conduit

Enter the order code into the appropriate box above. Note: Gardco reserves the right to refuse a configuration. Not all combinations and configurations are valid. Refer to notes below for exclusions and limitations. For questions or concerns, please consult the factory.

- Fluorescent and CMHE luminaires feature electronic ballasts that accept 120V through 277V, 50hz to 60hz, input. Specify "UNIV" voltage for 120V through 277V.
- Not Available in 113EM.
- 120V through 277V only. Not available in Incandescent.
- Not available with 113EM or 113EMR.
- Rear entry permitted.

Dimensions



Mounting Bolt Pattern

Note: Mounting plate center is located in the center of the luminaire width and 2.38" (6.03cm) above the luminaire bottom (lens down position). Splices must be made in the J-box (by others). Mounting plate must be secured by max. 5/16" (.79cm) diameter bolts (by others) structurally to the wall.

110 Line 113 Half Cylinder Up/Down Mini Sconce

Lamp/Voltage Chart – 113

FT-U / WT-U Distribution						
Voltage:	120	208	240	277	347	480
T6 Lamps (T6 Lamps Supplied by Gardco)						
T39MH	▲			▲		
T70MH	▲	▲	▲	▲	▲	
T39CMHE ¹	UNIV					
T70CMHE ¹	UNIV					

MT-U Distribution						
Voltage:	120	208	240	277	347	480
E17 - HID*						
50MH	▲			▲		
70MH	▲	▲	▲	▲	▲	
35HPS	▲					
50HPS	▲			▲		
70HPS	▲	▲	▲	▲	▲	
Fluorescent						
26QF ¹	UNIV					
32TRF ¹	UNIV					
42TRF ¹	UNIV					
Incandescent						
INC	▲					

MH - Metal Halide CMHE - Ceramic Metal Halide with Electronic Ballast
HPS - High Pressure Sodium TRF - Triple Tube Fluorescent QF - Quad Fluorescent

Combinations marked with a dot, shown with "UNIV" or "200-277" are available for ordering.

* MH, CMHE and HPS types require medium based E17 lamps. All MH and CMHE types shown are pulse start by design.
1. Fluorescent and CMHE luminaires feature electronic ballasts that accept 120V through 277V, 50hz to 60hz, input. Specify "UNIV" voltage for 120V through 277V.

110 Line 113 Half Cylinder Up/Down Mini Sconce

Specifications

GENERAL

Each Gardco 113 luminaire is a wall mounted cutoff luminaire for high intensity discharge, compact fluorescent or incandescent lamps. Internal components are totally enclosed in a rain-tight, dust-tight and corrosion resistant housing. The housing, back plate and door frame are die cast aluminum. A choice of three Up/Down (3) optical systems is available. Luminaires are suitable for wet locations (damp locations if inverted).

HOUSING

Single-piece half cylinder housings are die cast aluminum. A memory retentive gasket seals the housing with the doorframe to exclude moisture, dust, insects and pollutants from the optical system. A black, die cast ribbed backplate dissipates heat for longer lamp and ballast life.

DOOR FRAME

A single-piece die cast aluminum door frame integrates to the housing form. The door frame is hinged closed and secured to the housing with two (2) captive stainless steel fasteners. The heat and impact resistant 1/8" (.32cm) tempered glass lens and one-piece gasket are mechanically secured to the door frame.

OPTICAL SYSTEMS

Reflectors are composed of specular extruded and faceted components, electropolished, anodized and sealed. Reflector segments are set in arc tube image duplicating patterns to achieve the wide throw, forward throw or medium throw distributions.

ELECTRICAL

Each high power factor HID core and coil ballast is the separate component type, capable of providing reliable lamp starting down to -20°F/-29°C. Component-to-component wiring within the luminaire will carry no more than 80% of rated current and is listed by UL for use at 600 VAC at 150°C or higher. Plug disconnects are listed by UL for use at 600 VAC, 15A or higher.

Standard fluorescent units have a starting temperature of 0°F/-18°C. Standard fluorescent ballasts are high power factor electronic solid state.

LAMPHOLDER

Pulse rated medium base sockets are glazed porcelain with nickel plated screw shell. T6 lamps use a G12 base, pulse rated porcelain sockets.

Fluorescent sockets are high temperature PBT with brass contacts.

FINISH

Each standard color luminaire receives a fade and abrasion resistant, electrostatically applied, thermally cured, triglycidal isocyanurate (TGIC) textured polyester powdercoat finish.

LABELS

All luminaires bear either UL or CUL (where applicable) Wet Location labels. Lens down application is Wet Location and lens up is Damp Location.

WARRANTY

Gardco luminaires feature a 5 year limited warranty. See Warranty Information on www.sitelighting.com for complete details and exclusions. Polycarbonate lenses carry a 1 year warranty only.

FULL CUTOFF PERFORMANCE: Full cutoff performance means a luminaire distribution where zero candela intensity occurs at an angle at or above 90° above nadir. Additionally, the candela per 1000 lamp lumens does not numerically exceed 100 (10 percent) at a vertical angle of 80° above nadir. This applies to all lateral angles around the luminaire.

CUTOFF PERFORMANCE: Cutoff performance means a luminaire distribution where the candela per 1000 lamp lumens does not numerically exceed 25 (2.5 percent) at an angle at or above 90° above nadir, and 100 (10 percent) at a vertical angle of 80° above nadir. This applies to all lateral angles around the luminaire.

