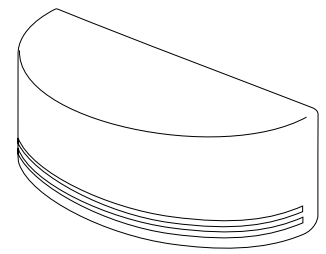


Wall Sconces

110 Line

114Half Cylinder Downlight Mini Sconce



A performance luminaire in every sense, the 110 Line combines high output and cutoff illumination with design and construction worthy of landmark architecture. The 114 Mini Sconce is a half-cylinder downlight, producing full cutoff performance without the high angle brightness of refractor type products, and providing an attractive choice for controlled illumination at points of entry. Seamless material transitions, flawless finishes and engineering considerate of installation, service and long term operation makes one immediately appreciate that size need not compromise quality. 114 luminaires installed in the normal downlight position, with a flat glass lens, provide cutoff performance

Project: _____
 Location: _____
 Cat.No: _____
 Type: _____
 Lamps: _____ Qty: _____
 Notes: _____

Ordering Guide

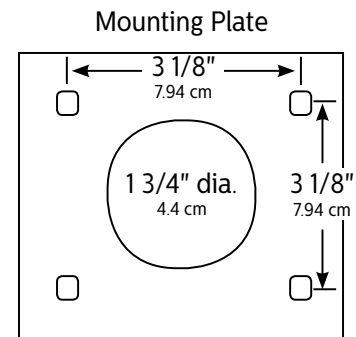
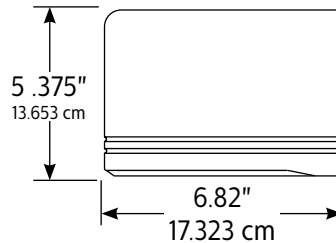
example: 114MT26QF120BRPF

Prefix	Distribution	Wattage	Voltage	Finish	Options
	MT				
114 Half-Cylinder (Standard Luminaire)	MT Medium Throw Fluorescent	26QF¹ 32TRF¹ 42TRF^{1,2}	120 208 240 277 347 480	BRP Bronze Paint BLP Black Paint WP White Paint NP Natural Aluminum Paint BGP Beige Paint OC Optional Color Paint Specify RAL designation ex: OC-RAL7024. SC Special Color Paint Specify. Must supply color chip.	F³ Fusing PCB⁴ Button Type Photocontrol SL Solite [®] Diffusing Lens WG Wire Guard WS⁵ Wall Mounted Box for Surface Conduit EMR LUMINAIRES ONLY⁶ B84CG Bodine Remote Emergency Pack
114EM Emergency Sconce					
114EMC Emergency Sconce, Cold Temperature					
114EMR Remote Emergency Sconce					
<i>Refer to configuration chart below for available combinations.</i>					

Enter the order code into the appropriate box above. Note: Gardco reserves the right to refuse a configuration. Not all combinations and configurations are valid. Refer to notes below for exclusions and limitations. For questions or concerns, please consult the factory.

- Fluorescent luminaires feature electronic ballasts that accept 120V through 277V, 50hz to 60hz, input. Specify "UNIV" voltage for 120V through 277V.
- Not Available in 114EM or 114EMC.
- 120V through 277V only.
- Not available with 114EM, 114EMC or 114EMR.
- Rear entry permitted.
- Emergency Battery Packs for EMR types MUST be ordered with luminaires and supplied by Gardco.

Dimensions



Mounting Bolt Pattern

Note: Mounting plate center is located in the center of the luminaire width and 2.38" (6.03cm) above the luminaire bottom (lens down position). Splices must be made in the J-box (by others). Mounting plate must be secured by max. 5/16" (.79cm) diameter bolts (by others) structurally to the wall.

110 Line 114 Half Cylinder Downlight Mini Sconce

Lamp/Voltage Chart - 114

MT Distribution						
Voltage:	120	208	240	277	347	480
Fluorescent						
26QF ¹		UNIV			▲	
32TRF ¹		UNIV			▲	
42TRF ¹		UNIV			▲	

Configuration Chart - 114EM, 114EMC, or 114EMR

	Distribution			Voltage					
	FT	WT	MT	120	208	240	277	347	480
Fluorescent									
26QF			▲	▲			▲		
32TRF			▲	▲			▲		
42TRF ²			▲	▲			▲		
<i>TRF - Triple Tube Fluorescent QF - Quad Fluorescent</i>									
<i>Combinations marked with a dot, shown with "UNIV" or "200-277" are available for ordering.</i>									
1. Fluorescent luminaires feature electronic ballasts that accept 120V through 277V, 50hz to 60hz, input. Specify "UNIV" voltage for 120V through 277V.									
2. Not Available in 114EM or 114EMC.									

110 Line 114 Half Cylinder Downlight Mini Sconce

Specifications

GENERAL

Each Gardco 114 luminaire is a wall mounted cutoff luminaire for compact fluorescent lamps. Internal components are totally enclosed in a rain-tight, dust-tight and corrosion resistant housing. The housing, back plate and door frame are die cast aluminum. Luminaires are suitable for wet locations (damp locations if inverted).

HOUSING

Single-piece half cylinder housings are die cast aluminum. A memory retentive gasket seals the housing with the doorframe to exclude moisture, dust, insects and pollutants from the optical system. A black, die cast ribbed backplate dissipates heat for longer lamp and ballast life.

DOOR FRAME

A single-piece die cast aluminum door frame integrates to the housing form. The door frame is hinged closed and secured to the housing with two (2) captive stainless steel fasteners. The heat and impact resistant 1/8" (.32cm) tempered glass lens and one-piece gasket are mechanically secured to the door frame.

OPTICAL SYSTEMS

Reflectors are composed of specular extruded and faceted components, electropolished, anodized and sealed. Reflector segments are set to achieve the medium throw distribution.

ELECTRICAL

Standard Luminaires: Component-to-component wiring within the luminaire will carry no more than 80% of rated current and is listed by UL for use at 600 VAC at 302°F/150°C or higher. Plug disconnects are listed by UL for use at 600 VAC, 15A or higher.

Standard fluorescent units have a starting temperature of 0°F/-18°C. Standard fluorescent ballasts are high power factor electronic solid state.

EM and EMC Luminaires: In the event of power interruption, integral battery pack will power (1) 32W or (1) 26W compact fluorescent lamps at reduced light levels for a minimum of 90 minutes. Maintenance free battery is rated for ambient temperatures down to 32°F/0°C (EM) or -4°F/-20°C (EMC). Indicator light is visible through the lens. A test switch is

accessible through the door assembly. EM and EMC units do not bear CUL label.

EMR Luminaires: A 7.5'/2.29m, 12 wire, quick disconnect assembly is provided for wiring through conduit (by others) to a Bodine B84CG fluorescent emergency battery pack. The fluorescent emergency battery pack MUST be supplied by Gardco. The B84CG option is required to be on the order to the factory.

In the event of power interruption, the B84CG remote battery pack will power (1) 42W, (1) 32W, or (1) 26W compact fluorescent lamp at reduced light levels for a minimum of 90 minutes.

Maintenance free battery is rated for ambient temperatures down to 32°F/0°C. Minimum luminaire starting temperature is 0°F/-18°C. Indicator light is visible through the lens. A test switch is accessible through the door assembly. NOTE: B84CG does not bear CUL label.

LAMPHOLDER

Fluorescent sockets are high temperature PBT with brass contacts.

FINISH

Each standard color luminaire receives a fade and abrasion resistant, electrostatically applied, thermally cured, triglycidal isocyanurate (TGIC) textured polyester powdercoat finish. Standard colors include bronze (BRP), black (BLP), white (WP), natural aluminum (NP) and beige (BGP). Consult factory for specs on custom colors.

LABELS

All luminaires bear either UL or CUL (where applicable) Wet Location labels. Lens down application is Wet Location and lens up is Damp Location.

WARRANTY

Gardco luminaires feature a 5 year limited warranty. See Warranty Information on www.sitelighting.com for complete details and exclusions.

FULL CUTOFF PERFORMANCE: Full cutoff performance means a luminaire distribution where zero candela intensity occurs at an angle at or above 90° above nadir. Additionally, the candela per 1000 lamp lumens does not numerically exceed 100 (10 percent) at a vertical angle of 80° above nadir. This applies to all lateral angles around the luminaire.

CUTOFF PERFORMANCE: Cutoff performance means a luminaire distribution where the candela per 1000 lamp lumens does not numerically exceed 25 (2.5 percent) at an angle at or above 90° above nadir, and 100 (10 percent) at a vertical angle of 80° above nadir. This applies to all lateral angles around the luminaire.

