



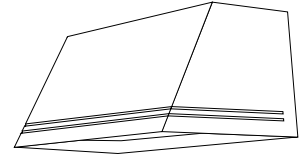
Wattages marked with circle "E" meet federal energy efficiency standards applicable to 150 watt through 500 watt metal halide luminaires only.

Job:  
Type:  
Notes:

# I 40 Line

## I41 Performance Super Sconce

The Gardco I41 trapezoidal high performance Super Sconce offers an excellent alternative to unsightly wall mounted fixtures. This architecturally refined luminaire is designed to naturally integrate to wall surfaces. The I41 luminaire is available with three (3) different downlight distributions - a Forward Throw and a Wide Throw for H.I.D. sources up to 400W. Housings are sealed throughout, completely excluding moisture, dust, insects and contaminants. I41 luminaires installed in the normal downlight position, with a flat glass lens, provide full cutoff performance.



PREFIX	DISTRIBUTION	WATTAGE	VOLTAGE	FINISH	OPTIONS

Enter the order code into the appropriate box above. Note: Gardco reserves the right to refuse a configuration. Not all combinations and configurations are valid. Refer to notes below for exclusions and limitations. For questions or concerns, please consult the factory.

### PREFIX

**I41** Trapezoidal Wedge

### DISTRIBUTION

**FT** Forward Throw  
**WT** Wide Throw

### WATTAGE

**250MH<sup>2</sup>**  
**400MH<sup>1,2</sup>**

**250PSMH<sup>ⓔ</sup>**  
**250PS90\*<sup>ⓔ</sup>**  
**320PSMH<sup>ⓔ</sup>**  
**350PSMH<sup>ⓔ</sup>**  
**400PSMH<sup>ⓔ</sup>**

MH - Metal Halide  
PSMH - Pulse Start Metal Halide  
HPS - High Pressure Sodium

1. Requires BT28 / E28 lamps.
  2. 250MH and 400MH not available for sale in the United States.
- \* 250 watt Pulse Start Metal Halide with a 90% efficient magnetic ballast. Complies with California Title 20 effective 1/1/2010. Available in 120, 208, 240 or 277V only.

**250HPS**  
**400HPS**

### VOLTAGE

**120**  
**208**  
**240**  
**277**  
**347**  
**480**

**QUAD** 120/208/240/277 tied at factory to 277V.

1611 Clovis Barker Road, San Marcos, TX 78666  
(800) 227-0758 (512) 753-1000 FAX: (512) 753-7855 [sitelighting.com](http://sitelighting.com)

© 2010 Koninklijke Philips Electronics N.V. All Rights Reserved.

Philips Gardco reserves the right to change materials or modify the design of its product without notification as part of the company's continuing product improvement program.

79115-96/1210

**PHILIPS**



### FINISH

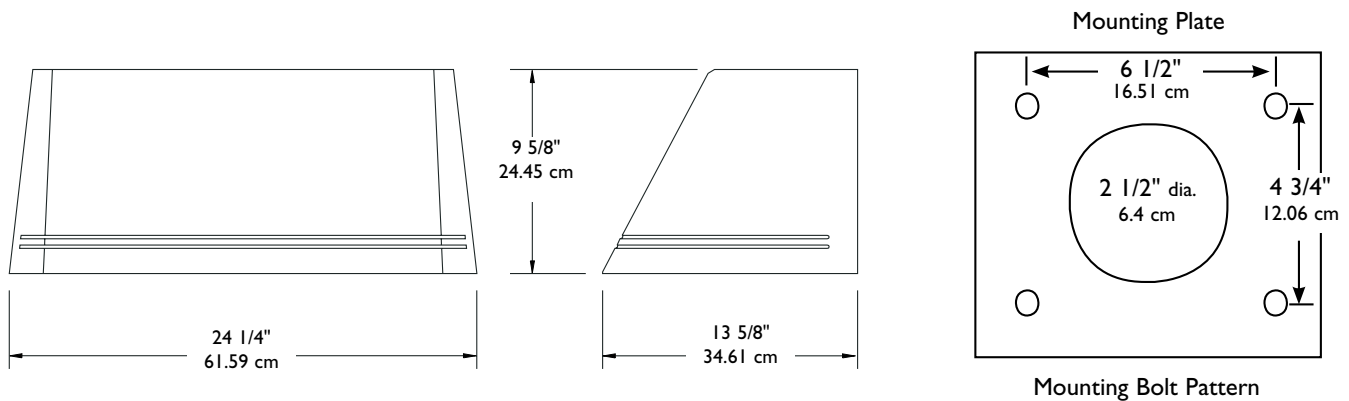
<b>BRP</b>	Bronze Paint
<b>BLP</b>	Black Paint
<b>WP</b>	White Paint
<b>NP</b>	Natural Aluminum Paint
<b>BGP</b>	Beige Paint
<b>OC</b>	Optional Color Paint <i>Specify Optional Color or RAL ex: OC-LGP or OC-RAL7024.</i>
<b>SC</b>	Special Paint <i>Specify. Must supply color chip.</i>

### OPTIONS

<b>F<sup>3</sup></b>	Fusing
<b>PCB<sup>4</sup></b>	Button Type Photocontrol
<b>QS<sup>5</sup></b>	Quartz Standby
<b>QST<sup>5</sup></b>	Quartz Standby - Timed Delay
<b>Q924<sup>5</sup></b>	Quartz Emergency
<b>QT924<sup>5</sup></b>	Quartz Emergency - Timed Delay
<b>SL</b>	Solite <sup>®</sup> Diffusing Lens
<b>UT</b>	5° Uptilt
<b>WS<sup>6</sup></b>	Wall Mounted Box for Surface Conduit
<b>WS/UT<sup>6</sup></b>	WS Option w/5° Uptilt
<b>WG</b>	Wire Guard

3. 120V through 277V only, specify input voltage.
4. 120V through 277V only. Not available above 250 watts.
5. 150 watt Quartz maximum.
6. Rear entry permitted.

### DIMENSIONS



Note: Mounting plate center is located in the center of the luminaire width and 4.63 (11.76cm) above the luminaire bottom (lens down position). Splices must be made in the J-box (by others). Mounting plate must be secured by max. 5/16 (.79cm) diameter bolts (by others) structurally to the wall.

1611 Clovis Barker Road, San Marcos, TX 78666  
 (800) 227-0758 (512) 753-1000 FAX: (512) 753-7855 [sitelighting.com](http://sitelighting.com)

© 2010 Koninklijke Philips Electronics N.V. All Rights Reserved.

Philips Gardco reserves the right to change materials or modify the design of its product without notification as part of the company's continuing product improvement program.

79115-96/1210

**PHILIPS**

**GARDCO**

### SPECIFICATIONS

**GENERAL:** Each Gardco I 41 luminaire is a wall mounted cutoff luminaire for high intensity discharge lamps/ballasts. Internal components are totally enclosed in a rain-tight, dust-tight and corrosion-resistant housing. The housing, backplate and door frame are diecast aluminum. A choice of two (2) optical systems is available. Luminaires are suitable for wet locations (damp locations if inverted).

**HOUSING:** Single-piece soft trapezoidal housings are diecast aluminum. The housing wall thickness is .156(.40cm). A memory retentive gasket seals the housing with the door frame to exclude moisture, dust, insects and pollutants from the optical system. A black, diecast ribbed backplate provides cooling to dissipate heat for longer lamp and ballast life.

**DOOR FRAME:** A single-piece diecast aluminum door frame integrates to the housing form. The door frame utilizes integral cast hinges secured to the housing with two (2) captive stainless steel fasteners. The heat and impact resistant 1/8 (.32cm) tempered glass lens is sealed to the frame using EPDM gasketing and is mechanically secured to the door frame with eight (8) galvanized steel retainers.

**OPTICAL SYSTEMS:** Reflectors are composed of specular extruded and faceted components, electropolished, anodized and surface sealed. Reflector segments are set in arc tube image duplicating patterns to achieve the wide throw, or forward throw downlight distributions.

**ELECTRICAL:** Each high power factor ballast is capable of providing reliable lamp starting down to -20°F/29°C. Component-to-component wiring within the luminaire will carry no more than 80% of rated current and is listed by UL for use at 600 VAC at 150°C or higher.

**LAMPHOLDER:** Pulse rated mogul base sockets are glazed porcelain with nickel plated screw shell.

**FINISH:** Each standard color luminaire receives a fade and abrasion resistant, electrostatically applied, thermally cured, triglycidal isocyanurate (TGIC) textured polyester powdercoat finish. Standard colors include bronze (BRP), black (BLP), white (WVP), natural aluminum (NP) and beige (BGP). Consult factory for specs on optional and custom colors.

**LABELS:** All luminaires bear either UL or CUL (where applicable) Wet Location labels. Lens down application is Wet Location and lens up is Damp Location.

**WARRANTY:** Gardco luminaires feature a 5 year limited warranty. See Warranty Information on [www.sitelighting.com](http://www.sitelighting.com) for complete details and exclusions. Polycarbonate lenses carry a 1 year warranty only. 1 year warranty only.

**FULL CUTOFF PERFORMANCE:** Full cutoff performance means a luminaire distribution where zero candela intensity occurs at an angle at or above 90° above nadir. Additionally, the candela per 1000 lamp lumens does not numerically exceed 100 (10 percent) at a vertical angle of 80° above nadir. This applies to all lateral angles around the luminaire.

**CUTOFF PERFORMANCE:** Cutoff performance means a luminaire distribution where the candela per 1000 lamp lumens does not numerically exceed 25 (2.5 percent) at an angle at or above 90° above nadir, and 100 (10 percent) at a vertical angle of 80° above nadir. This applies to all lateral angles around the luminaire.

1611 Clovis Barker Road, San Marcos, TX 78666

(800) 227-0758 (512) 753-1000 FAX: (512) 753-7855 [sitelighting.com](http://www.sitelighting.com)

© 2010 Koninklijke Philips Electronics N.V. All Rights Reserved.

Philips Gardco reserves the right to change materials or modify the design of its product without notification as part of the company's continuing product improvement program.

79115-96/1210

**PHILIPS**

