

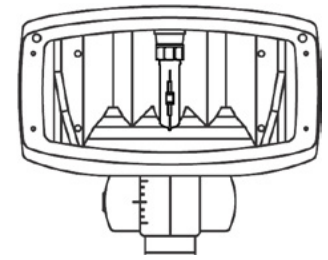


by Signify

Floodlight

Designer Floodlight

DF5 - 5"



The Gardco Designer Floodlight DF5 is a small flood luminaire with a choice of (6) precision faceted optical systems. Each is designed to provide a specific distribution and cutoff of stray light. The contemporary soft form die cast housing is available in a variety of finishes creating compatibility with most architectural and landscape elements. The high strength die cast aluminum knuckle features an integral splice compartment eliminating the need for a supplementary junction box and thereby permitting closer to grade mounting.

Project: _____
 Location: _____
 Cat.No: _____
 Type: _____
 Lamps: _____ Qty: _____
 Notes: _____

Ordering Guide

example: DF5CHFLT39CMHE120BRPPCB

Prefix	Mounting	Distribution	Wattage	Voltage	Finish	Options
DF5						
DF5	C Stub-up Conduit Mount <i>For direct mounting to (2) 1/2" GRC or IMC conduits. No j-box required.</i> J J-Box Mount <i>For mounting into 1/2" (1.27cm) hub. Also suitable for direct surface mount to walls or ceilings when fed by EMT, BX, SJO, NM, etc. (For surface mount over outlet box.</i>	HFL Horizontal Flood <i>T6 / G12 lamps only</i> VFL Vertical Flood <i>T6 / G12 lamps only</i>	Ceramic Pulse Start MH <i>Electronic Ballast</i>	120 277 UNIV Fluorescent and CMHE only	BRP Bronze Paint BLP Black Paint WLP White Paint NP Natural Aluminum Paint BGP Beige Paint VP Verde Green Paint OC Optional Color Paint <i>Specify RAL designation ex: OC-RAL7024.</i> SC Special Color Paint <i>Specify. Must supply color chip.</i>	PCB Button Type Photocontrol <i>Available T70MH, T39/T70CMHE, 32TRF or 42TRF only. Requires actual input voltage when ordered with Fluorescent or CMHE types.</i> BD⁷ Barn Doors CH⁷ Cutoff Hood POLY Polycarbonate Shield <i>Polycarbonate lenses carry a 1 year warranty only.</i> F Fusing
			Compact Fluorescent <i>Electronic Ballast</i>			
	W Wall/Ceiling Canopy Mount <i>For mounting over (not to) a 4" recessed outlet box. When mounted on vertical surface, provides vertical aiming from straight down to 100° up from nadir. When mounted on a vertical surface, long axis of luminaire must be horizontal (+/-30°). Mounts directly to wall or ceiling. The surface structure must be suitable to support the luminaire. Only suitable for use on non-combustable surfaces.</i> ST Stanchion Mount <i>18"(45.72cm) stanchion for in-ground concrete burial mounting. Minimum 6" in concrete.</i> SM Surface Mount Stanchion <i>For mounting to 18" (45.72cm) stanchion pole assembly.</i>	HSP Horizontal Spot <i>T6 / G12 lamps only</i>	High Pressure Sodium <i>Magnetic Ballast</i>	50HPS^{3,4} <i>E17/Medium Based Lamp</i>		
		NSP Narrow Spot <i>T6 / G12 lamps only</i>				
		FLM Fluorescent Medium <i>Fluorescent only</i>				
		WSP Wide Spot <i>Medium base lamps only</i>				

Enter the order code into the appropriate box above. Note: Gardco reserves the right to refuse a configuration. Not all combinations and configurations are valid. Refer to notes below for exclusions and limitations. For questions or concerns, please consult the factory.

- Available with FLM optic only.
- Fluorescent and CMHE luminaires feature electronic ballasts that accept 120V through 277V, 50hz to 60hz, input. Specify "UNIV" voltage for 120V through 277V.
- 120V only.
- Available in WSP optic only.
- Available in HFL, VFL, HSP or NSP optics only.
- This footnote is missing on the original spec sheet.**
- Barn Doors (BD) and Cutoff Hoods (CH) are painted to match the luminaire. Either can be used concurrently with the Polycarbonate Shield (POLY) option.

Designer Floodlight DF5 – 5"

Specifications

HOUSING

A single-piece aluminum housing is die cast in a soft barrel form. A one piece extruded gasket mates with door frame.

DOOR/LENS ASSEMBLY

A heat and impact resistant 1/8" (3.165mm) tempered glass lens and one piece silicone gasket are mechanically secured to door frame.

KNUCKLE

The die cast aluminum knuckle features an integral splice

compartment. A single captive 5/16" (7.9275mm) stainless steel allen-head bolt securely locks the knuckle aiming teeth in 5° increments. An opposite cover plate is removable for access to splices. The knuckle assembly is fully gasketed.

OPTICAL SYSTEM

The wide spot, horizontal flood, vertical flood, horizontal spot, and fluorescent medium optical systems are homogenous sheet and extruded aluminum, electrochemically brightened, anodized and sealed. The

narrow spot reflector is hydroformed faceted Alzak® aluminum.

ELECTRICAL

HID UNITS: Each high power factor ballast is capable of providing reliable lamp starting to -20°F/-29°C.

FLUORESCENT UNITS: High power factor electronic ballast standard. Accepts 32w or 42w Triple Tube lamps

FINISH

Each luminaire receives a fade and abrasion resistant,

electrostatically applied, thermally cured textured, polyester powdercoat finish.

LABELS

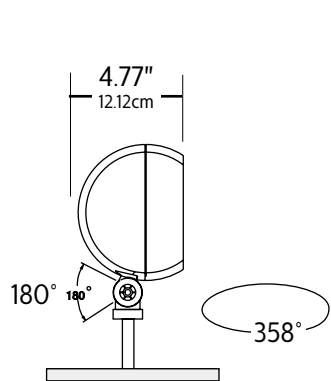
All luminaires bear UL or CUL (where applicable) Wet Location labels.

WARRANTY

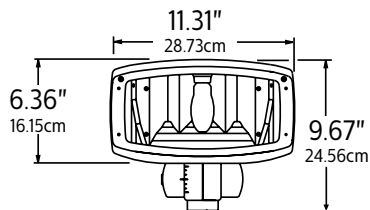
Gardco luminaires feature a 5 year limited warranty. See Warranty Information on www.sitelighting.com for complete details and exclusions. Polycarbonate lenses carry a 1 year warranty only.

Designer Floodlight DF5 - 5"

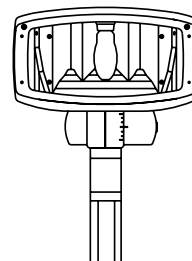
Dimensions and Mounting



DF5

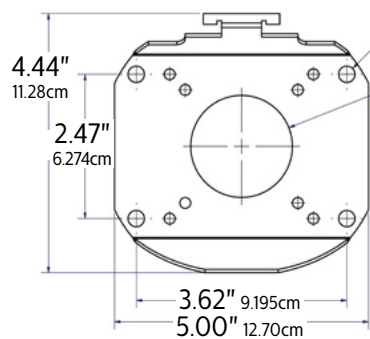


DF5-J



Note: DF5 knuckle assembly (without any additional hardware) mounts directly to 1" rigid conduit (by others, approximately 1.3" O.D.)

Wall Mounting Plate



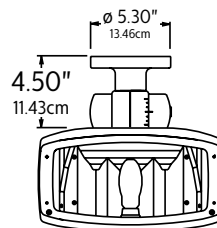
Hole Diameter

.281"
6.274cm

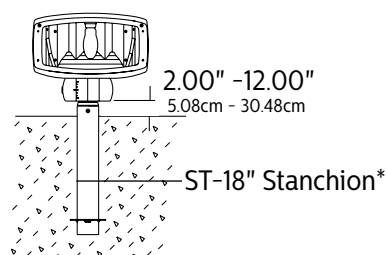
Hole Diameter

1.75"
4.445cm

DF5-W



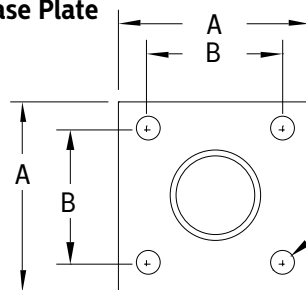
DF5-ST



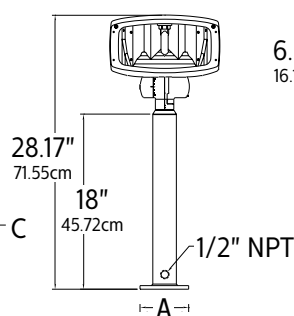
* Must be buried in concrete a minimum of 6".

DF5-SM

Base Plate



Dimension A	5.00" (12.7cm)
Dimension B	3.54" (8.99cm)
Dimension C	0.63" (1.60cm)



DF5-C

