

The Gardco Designer Floodlight DF7 is a flood luminaire with a choice of (5) precision faceted optical systems. Each is designed to provide a specific distribution and sharp cutoff of stray light. The contemporary soft form diecast housing is available in a variety of finishes creating compatibility with most architectural and landscape elements. The high strength diecast aluminum knuckle features an integral splice compartment eliminating the need for a supplementary junction box and thereby permitting closer to grade mounting.

Project: _____
 Location: _____
 Cat.No: _____
 Type: _____
 Lamps: _____ Qty: _____
 Notes: _____

Ordering Guide

example: DF7CHFL70MH120BRPPCB

Prefix	Mounting	Distribution	Wattage	Voltage	Finish	Options
DF7						
DF7	C Stub-up Conduit Mount <i>For direct mounting to (2) 1/2" GRC or IMC conduits. No J-box required.</i>	HFL Horizontal Flood	Pulse Start MH <i>Magnetic Ballast</i> 70MH 200MH¹ (E) 100MH³ 175PSMH^{1,2} (E)	120 208 240 277 347 UNIV³	BRP Bronze Paint BLP Black Paint WP White Paint NP Natural Aluminum Paint BGP Beige Paint VP Verde Green Paint OC Optional Color Paint <i>Specify RAL designation ex: OC-RAL7024.</i> SC Special Color Paint <i>Specify. Must supply color chip.</i>	PCB⁵ Button Type Photocontrol BD⁶ Barn Doors CH⁶ Cutoff Hood POLY^{5,7,11} Polycarbonate Shield F^{5,8} Fusing ESB⁹ Extended Splice Box WG¹⁰ Wire Guard
	J J-Box Mount <i>For mounting into 1/2" (1.27cm) hub. Also suitable for direct surface mount to walls or ceilings when fed by EMT, BX, SJO, NM, etc. (For surface mount over outlet box.)</i>	VFL Vertical Flood				
	W Wall/Ceiling Canopy Mount <i>For mounting over (not to) a 4" recessed outlet box. When mounted on vertical surface, provides vertical aiming from straight down to 100° up from nadir. When mounted on a vertical surface, long axis of luminaire must be horizontal (+/-30°). Mounts directly to wall or ceiling. The surface structure must be suitable to support the luminaire. Only suitable for use on non-combustible surfaces.</i>	HSP Horizontal Spot NSP Narrow Spot	High Pressure Sodium Magnetic Ballast 70HPS 100HPS 150HPS			
	WMB Wall Mount Bullhorn <i>For mounting over (not to) a 4" (10.16cm) recessed outlet box. Provides full axial 180° vertical and 358° rotational aiming. Mounts direct to wall. Surface structure must be suitable to support the assembly. Outer end of WMB must be in the "straight up" position, as shown in diagram on opposite page. Luminaire mounts with the knuckle below the body of the luminaire only.</i>	(E) Wattages marked with Circle "E" meet federal energy efficiency standards applicable to 150 watt through 500 watt metal halide luminaires only.				
	W90 Wall Arm Mount <i>For mounting over (not to) a 4" (10.16cm) recessed outlet box. Provides full axial 180° vertical and 358° rotational aiming range. Mounts direct to wall. Surface structure must be suitable to support the luminaire. When mounted in wet locations, luminaire must be mounted as shown in diagrams on page 2. In damp or dry locations, arm assembly may be inverted.</i>					
	ST Stanchion Mount <i>18" (45.72cm) stanchion for in-ground concrete burial mounting. Minimum 6" in concrete.</i>					
	SM Surface Mount Stanchion <i>For mounting to 18" (45.72cm) stanchion pole assembly.</i>					

There's footnote #4 nor in the ordering guide or footnote

Enter the order code into the appropriate box above. Note: Gardco reserves the right to refuse a configuration. Not all combinations and configurations are valid. Refer to notes below for exclusions and limitations. For questions or concerns, please consult the factory.

- | | |
|---|---|
| 1. Utilizes mogul based lamps (T15, E18 or E28). Available with VFL, HSP, and NSP distributions only. Not available with PCB, POLY, F or ESB options. | 7. Not Available with WG option. |
| 2. Not available in 347V. | 8. 120V through 277V only. |
| 3. Not available in 480V. | 9. Supplied standard with 175PSMH and 200MH luminaires. Not available for use as additional splicing volume with 175PSMH or 200MH luminaires. |
| 5. Not Available with 175PSMH or 200MH. | 10. Not Available with BD, CH and POLY options. Field Installable. |
| 6. Barn Doors (BD) and Cutoff Hoods (CH) are painted to match the luminaire. Either can be used concurrently with the POLY option. | 11. Polycarbonate lenses carry a 1 year warranty only. |

Designer Floodlight DF7 – 7"

Additional Mounting Accessories

PTA	Pole top 2 3/8" (6.03cm) tenon adapter
TAB	Twin arm bracket for use with ST or PTA
PT2	Pole top 2 3/8" (6.03cm) tenon adapter for twin back to back luminaire mounting

Specifications

HOUSING

A single-piece aluminum housing is die cast in a soft barrel form. A one piece extruded gasket mates with door frame.

DOOR/LENS ASSEMBLY

A heat and impact resistant 3/16" (.48cm) tempered glass lens and one piece silicone gasket are mechanically secured to door frame.

KNUCKLE

The die cast aluminum knuckle features an integral splice compartment. A single captive 3/16" (.48cm) stainless steel

allen-head bolt and stainless steel nut securely lock the knuckle aiming teeth in 5° increments. An opposite cover plate is removable for access to splices. The knuckle assembly is fully gasketed.

OPTICAL SYSTEM

The wide flood, vertical flood and horizontal spot optical systems are homogenous sheet and extruded aluminum, electrochemically brightened, anodized and sealed. The narrow spot reflector is hydroformed faceted Alzak® aluminum.

ELECTRICAL

HID UNITS: Each high power factor ballast is the separate component magnetic type capable of providing reliable lamp starting to -20°F/-29°C.

LAMPHOLDER

The pulse rated socket is glazed porcelain with nickel plated screw shell. All sockets are medium base except 175PSMH and 200MH units.

FINISH

Each luminaire receives a fade and abrasion resistant, electrostatically applied,

thermally cured textured, polyester powdercoat finish.

LABELS

All luminaires bear UL or CUL (where applicable) Wet Location labels.

WARRANTY

Gardco luminaires feature a 5 year limited warranty. See Warranty Information on www.sitelighting.com for complete details and exclusions. Polycarbonate lenses carry a 1 year warranty only.

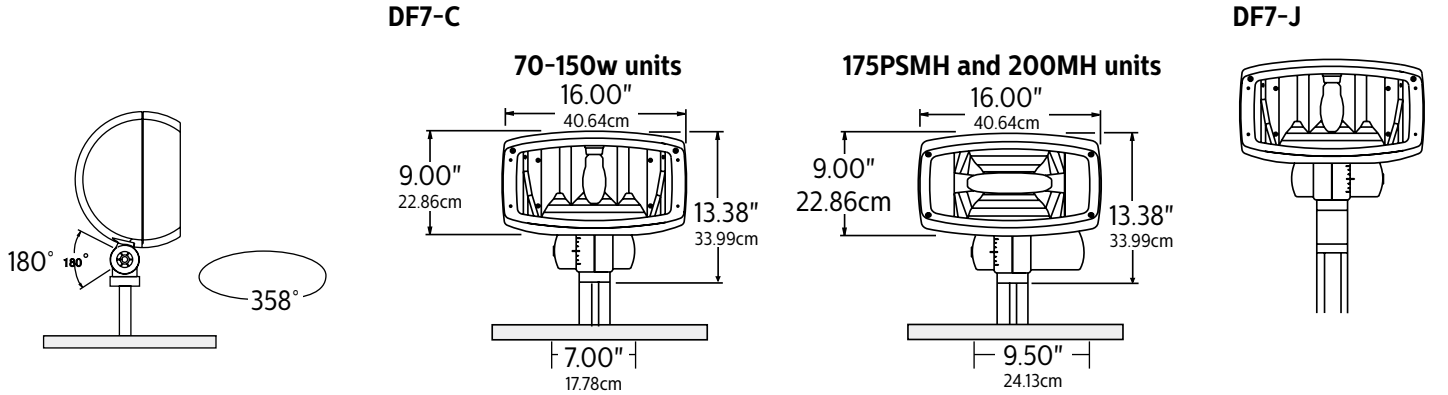
DF7 Splice Compartment Capacity	Standard Units	Extended Splice Box	175PSMH and 200MHUnits
#12 AWG Conductors¹²	5	9	5
TAB #10 AWG Conductors¹²	3	7	3

¹². Including ground.

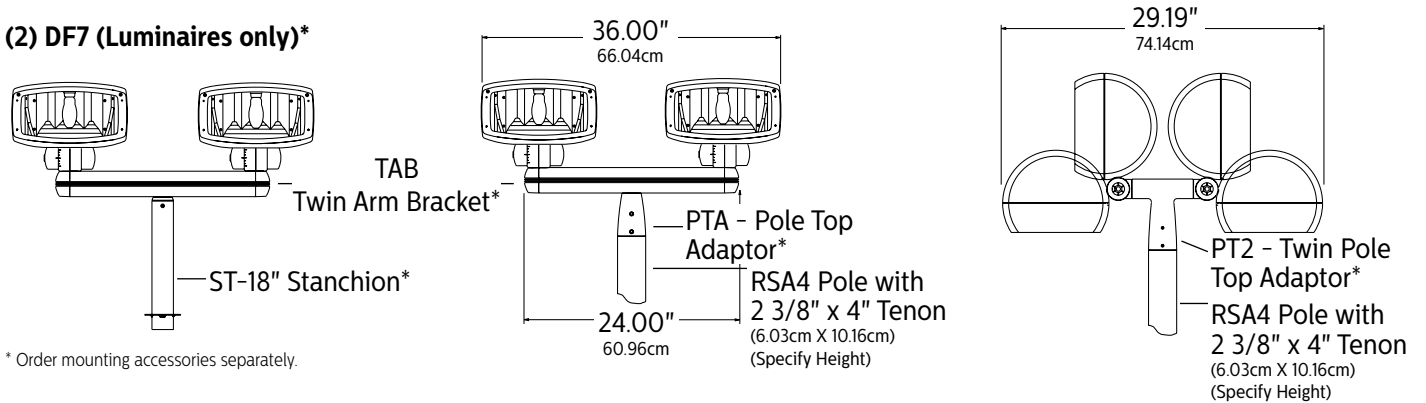
DF7 Pole Loading Data	EPA
Single Luminaire on PTA Adapter	1.3 ft ² /.12m ²
Twin Luminaires on PTA Adapter	1.9 ft ² /.18m ²
Twin Luminaires on TAB Adapter	2.8ft ² /.26m ²

Designer Floodlight DF7 - 7"

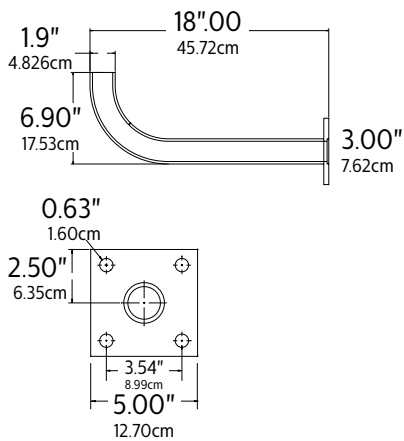
Dimensions and Mounting



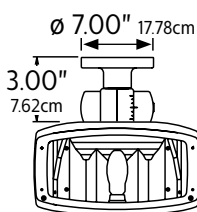
(2) DF7 (Luminaires only)*



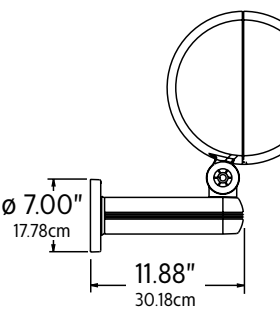
DF7-WMB



DF7-W



DF7-W90



DF7-ST

