

Gardco 302 Line is a series of diecast cylinders for up and down lighting in a single, integrated form. The 302 incorporates two Gardco 300 Line cylinders using a cast bracket to create a single assembly. The 302 offers choices with optics and sources to allow for a variety of aesthetic elements on building surfaces.

Project: \_\_\_\_\_  
 Location: \_\_\_\_\_  
 Cat.No: \_\_\_\_\_  
 Type: \_\_\_\_\_  
 Lamps: \_\_\_\_\_ Qty: \_\_\_\_\_  
 Notes: \_\_\_\_\_

**Ordering Guide**

**example: 302EW50MHL120BRPF**

Prefix	Model	Mounting	Lamp Up <sup>1</sup>	Lamp Down	Trim Down	Voltage	Finish	Options	
<b>302</b>	<b>E</b>	<b>W</b>							
302	E Enclosed downlight	W Wall	50MH T70MH <sup>2</sup>	70MH 100MH	50MH 70MH 100MH	L Obscuring Flat Solite® Lens LL Obscuring Flat Solite® Lens with Louver	120 208 240 277 UNIV	BRP Bronze Paint BLP Black Paint WP White Paint NP Natural Aluminum Paint BGP Beige Paint VP Verde Green Paint OC Optional Color Paint <i>Specify RAL designation ex: OC-RAL7024.</i> SC Special Color Paint <i>Specify. Must supply color chip.</i>	F Fusing PCB Button Type Photocontrol
			50HPS 70HPS 100HPS		50HPS 70HPS 100HPS				
			P70MH P100MH		P70MH P100MH				
			P/R INC <sup>3</sup>		P/R INC <sup>3</sup>				
			26QF <sup>4</sup> 32TRF <sup>4</sup>	42TRF <sup>4</sup>	26QF <sup>4</sup> 32TRF <sup>4</sup>	42TRF <sup>4</sup>			
			50MH T70MH <sup>2</sup>	70MH 100MH	T70MH <sup>2</sup>	FT/D Flat Clear Lens with Forward Throw			

Enter the order code into the appropriate box above. Note: Gardco reserves the right to refuse a configuration. Not all combinations and configurations are valid. Refer to notes below for exclusions and limitations. For questions or concerns, please consult the factory.

P - PAR38 Lamp P/R INC - 100w max PAR38 or R40 Incandescent Lamp FLUOR - QF - Quad Tube; TRF - Triple Tube 4-pin Fluorescent  
 T70MH - Tubular T-6 70MH Lamp (supplied with luminaire) All others - E-17 Clear Lamp

- Lamp Up Trim is always a Diffusing Lens, except when T70MH is the Lamp Up a clear lens is supplied with FT reflector.
- T70MH Lamp utilizes an FT Forward Throw reflector. Lamp is supplied.
- 120V only.
- 26QF, 32TRF and 42TRF types feature an electronic fluorescent ballast that accepts 120V through 277V, 50hz or 60hz input. Specify "UNIV" for 120V through 277V. Starting temperature is 0°F.

# 302 Up/down cylinder

## Specifications

### Housing

Housings are cast in a single-piece cylindrical form of corrosion resistant alloy, 1/8" min wall thickness. Units measure 7.5" in outside diameter and 12" in height. Housings are secured to the wall and luminaire assembly using a cast mounting canopy/bracket. The canopy includes a hanger bracket and a mounting bracket (secured over splice box).

### Optical system

**Lens (L):** Lens units consist of a Solite® obscuring glass lens mounted to a die cast aluminum trim support assembly.

**Lens with Louver (LL):** Lens with louver units consist of a Solite® obscuring glass lens mounted to a diecast aluminum trim support assembly, including 1 5/8" x 1 5/8" square louvers with a nominal depth of 1".

**Forward Throw Reflector (FT/D):** Reflectors are composed of specular extruded and faceted Alzak® components, electro-polished, anodized and sealed. FT/D downlights feature a clear flat glass lens mounted within a die cast aluminum frame. Reflector provides asymmetric forward throw distribution of light.

### Electrical

Internal ballast will be provided based on the specified lamp configuration.

### Lampholder

Pulse rated medium base lampholders are glazed porcelain with a nickel-plated screw shell. Fluorescent sockets are high temperature plastic (PBT) with brass alloy contacts.

### Finish

Each standard luminaire receives a fade and abrasion resistant, electrostatically applied, thermally cured, textured TGIC polyester powdercoat finish. Consult factory for special colors. The cast bracket is painted to match the housings.

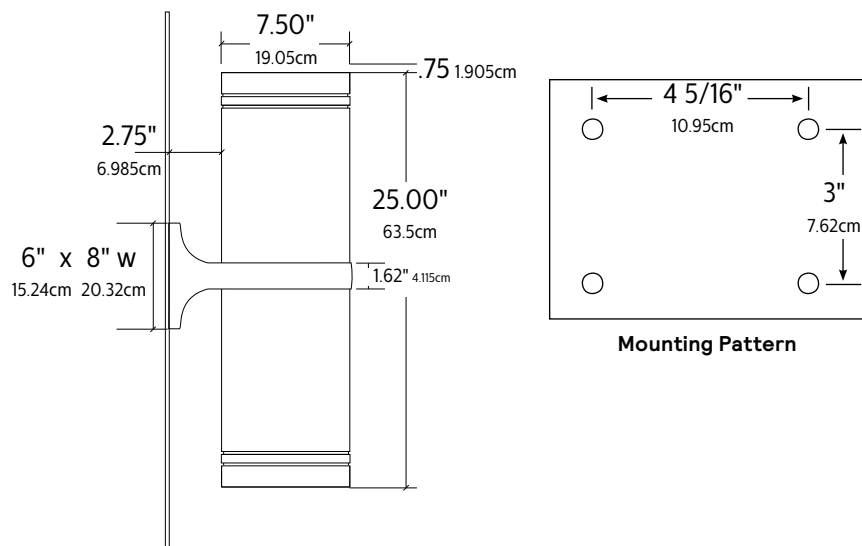
### Labels

All luminaires bear UL or CUL (where applicable) Wet Location labels.

### Warranty

Gardco luminaires feature a 5 year limited warranty. See Warranty Information on [www.signify.com/warranties](http://www.signify.com/warranties) for complete details and exclusions. Polycarbonate lenses carry a 1 year warranty only.

## Dimensions



The information presented in this document is not intended as any commercial offer and does not form part of any quotation or contract.

